

YEARS: 2012-PRESENT

MAKE: FIAT

MODEL: 500 ABARTH

STYLE: HATCHBACK

**WARNING: NEVER EXCEED YOUR VEHICLE MANUFACTURER'S RECOMMENDED TOWING CAPACITY**

**WEIGHT CARRYING:**  
 TRAILER WEIGHT: 2,000 LBS.  
 TONGUE WEIGHT: 200 LBS.

**WARNING:**  
 WE RECOMMEND THE USE OF 18050 STABILIZING STRAPS FOR ALL NON-TRAILER (WHEEL-LESS) LOADS. PLEASE SEE THE CURT CATALOG OR VISIT US ONLINE AT [WWW.CURTMFG.COM](http://WWW.CURTMFG.COM) FOR FURTHER INFORMATION.

**INSTALLATION TIME: 30/60 MIN.**

THE INSTALL TIME LISTED IS FOR PROFESSIONAL/NOVICE INSTALLERS. IF YOU ARE HESITANT TO UNDERTAKE THIS TASK ON YOUR OWN, CONTACT AN AUTHORIZED CURT INSTALLER FOR ADDITIONAL ASSISTANCE.

**INSTALLATION REQUIRES:**

<b>SAFETY GLASSES</b>	<b>SPRAY LUBRICANT</b>	<b>T15 TORXBIT SOCKET</b>
<b>RATCHET</b>	<b>11mm 13mm 5/16" 11/16" SOCKET</b>	<b>6" SOCKET EXTENSION</b>
<b>POWER DRILL</b>	<b>DRILL BIT 7/16"</b>	<b>MASKING TAPE</b>
<b>AVIATION SHEARS</b>	<b>TORQUE WRENCH</b>	

**INSTALLATION TIPS:**

- BEFORE YOU BEGIN INSTALLATION, READ ALL INSTRUCTIONS THOROUGHLY.
- TO EASE INSTALLATION, 2 PEOPLE MAY BE REQUIRED.
- USING PROPER TOOLS WILL GREATLY IMPROVE THE QUALITY OF THE INSTALL AND REDUCE THE TIME REQUIRED.
- NEED HELP OR HAVE SOME QUESTIONS? CALL TECHNICAL SUPPORT AT 800.798.0813

**LEVEL OF DIFFICULTY: MODERATE**

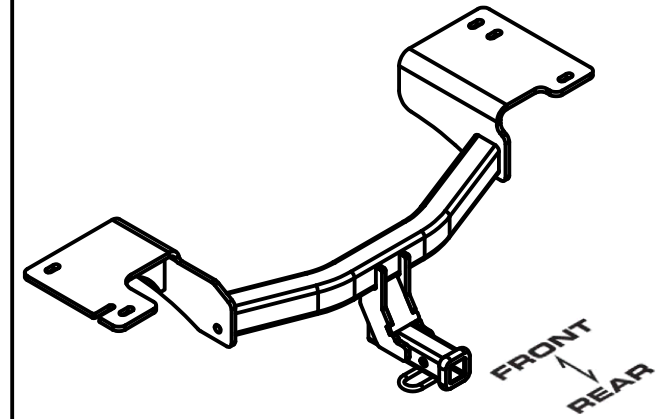
EASY	MODERATE	CHALLENGING
	- LOWER EXHAUST	
	- REMOVE EXHAUST HANGER BRACKET	
	- MAY REQUIRE WELDNUT CLEANING	
	- ENLARGE HOLE FOR HARDWARE	
	- FASCIA TRIMMING REQUIRED	

**VEHICLE PHOTO:**



REPRESENTATIVE PHOTO

**HITCH ILLUSTRATION:**



MAKE SURE YOUR HITCH MATCHES

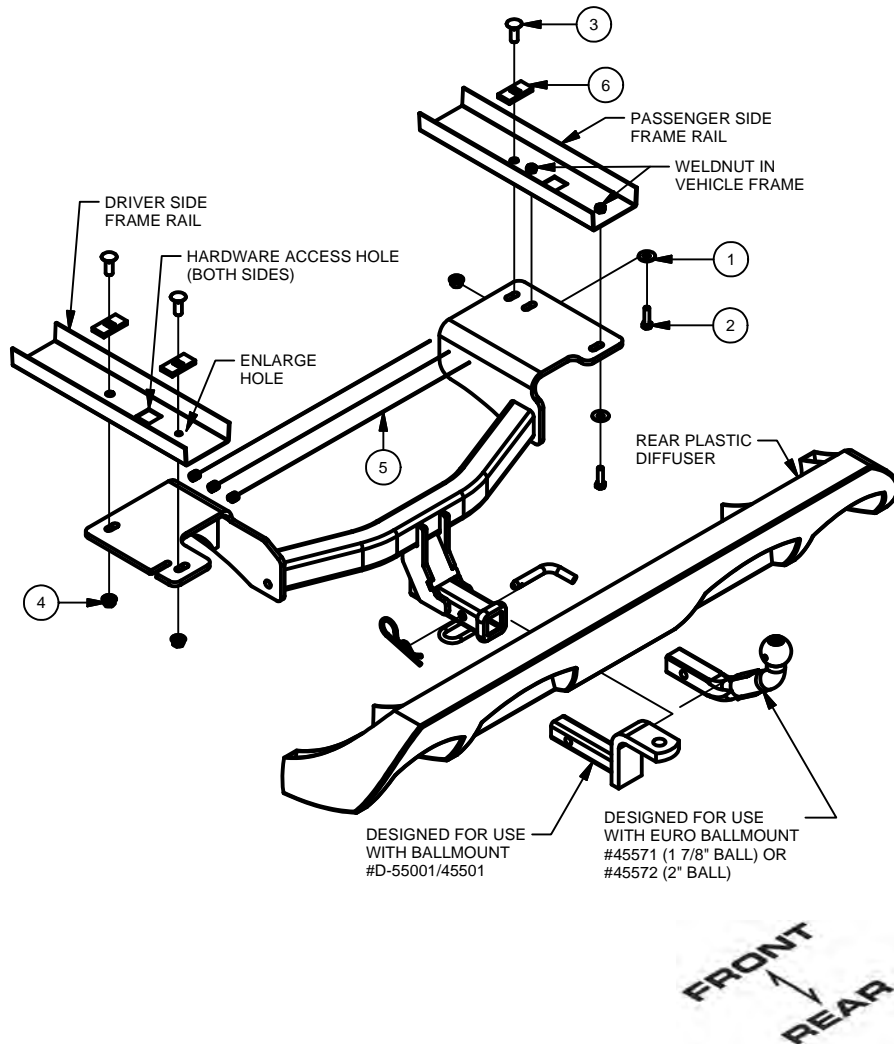
**PERIODICALLY CHECK THIS RECEIVER HITCH TO ENSURE ALL FASTENERS ARE TIGHT AND ALL STRUCTURAL COMPONENTS ARE SOUND**

CURT Manufacturing LLC. warrants this product to be free of defects in material and/or workmanship at the time of retail purchase by the original purchaser. If the product is found to be defective, Curt Manufacturing LLC. may repair or replace the product at their option, when the product is returned, prepaid, with proof of purchase. Alteration to, misuse of, or improper installation of this product voids the warranty. Curt Manufacturing LLC.'s liability is limited to repair or replacement of products found to be defective, and specifically excludes liability for incidental or consequential loss or damage.

For more information log onto [www.curtmfg.com](http://www.curtmfg.com), & for helpful towing tips log onto [www.hitchinfo.com](http://www.hitchinfo.com)

## INSTALLATION WALKTHROUGH:

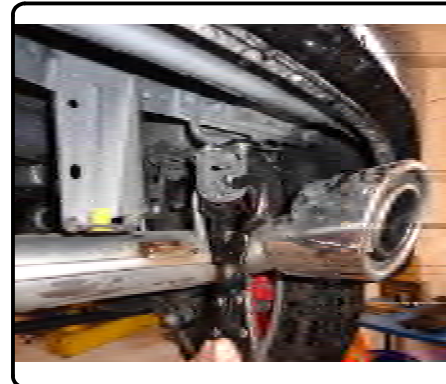
Parts List			
ITEM	QTY	PART NUMBER	DESCRIPTION
1	2	3/8"	CONICAL TOOTHED WASHER
2	2	M8 - 1.25 x 30 HEX BOLT (10.9)	HEX HEAD BOLT
3	3	7_16 - 14 x 1 1_4 CARRIAGE (GRADE 8)	CARRIAGE BOLT
4	3	7/16-14 (GRADE 8)	HEX FLANGE NUT
5	3	7_16 FISHWIRE	7/16" FISHWIRE
6	3	CM-SP7	.250 x 1.00 x 2.00" SQUARE HOLE SPACER



1. Remove rear plastic diffuser by removing (2) T15 torx and (2) 5/16 screws from the bottom and by carefully disconnecting clips from inside of plastic. Pull piece gently away from rear of vehicle to remove. Set aside for trimming and reassembly.



2. Lower exhaust by removing rubber exhaust hangers from hanger rods in (1) location on the driver side and (1) location on the passenger side. The additional exhaust hanger bracket on the passenger side will need to be completely removed from the vehicle frame (if equipped). Remove and return the bracket and hardware to the owner.



## INSTALLATION WALKTHROUGH:

3. The hitch will mount to (2) M8 weld nuts and (3) existing holes in the vehicle frame. The weldnuts can be found by removing protective tape from the frame rail. Remove square plugs from frame rails to reveal square access holes in frame. Return plugs to vehicle owner.

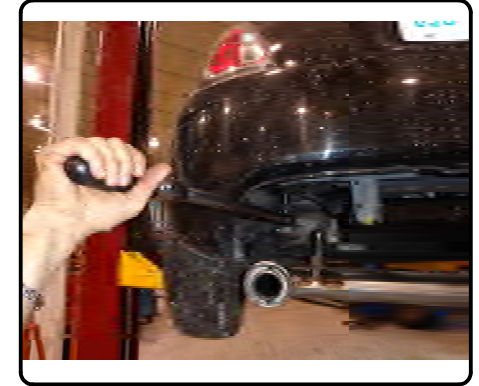


4. Using a 7/16" drill bit, enlarge hole rearward of square holes on driver side frame rail. Fishwire 7/16" carriage bolts and spacer blocks up through square hole and down through mounting holes as shown.



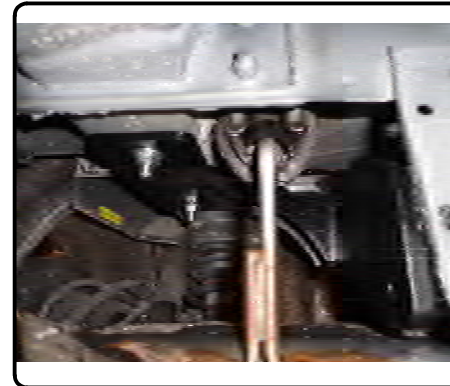
5. Raise hitch into position and secure hardware, taking care not to push the carriage bolts back up into frame rails.

Torque all 7/16" fasteners to 70 lb-ft.  
Torque all M8 fasteners to 26 lb-ft.



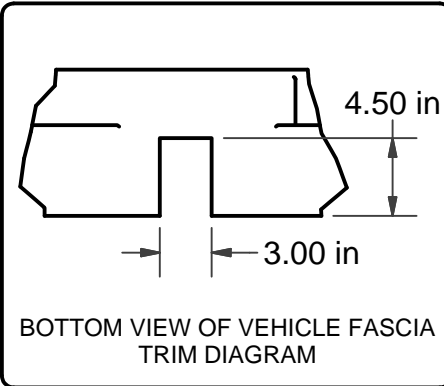
6. Raise exhaust back into position and secure to vehicle hangers.

Note that for enclosed mufflers, the passenger side exhaust bracket has been replaced with hanger now integral to the hitch.



## INSTALLATION WALKTHROUGH:

7. Trim plastic diffuser as shown, centering the cutout. Carefully clip and secure the piece back in place.



Installation is complete





GROSS LOAD CAPACITY WHEN USED AS A WEIGHT CARRYING HITCH: 2,000 LBS. TRAILER WEIGHT & 200 LBS. TONGUE WEIGHT.

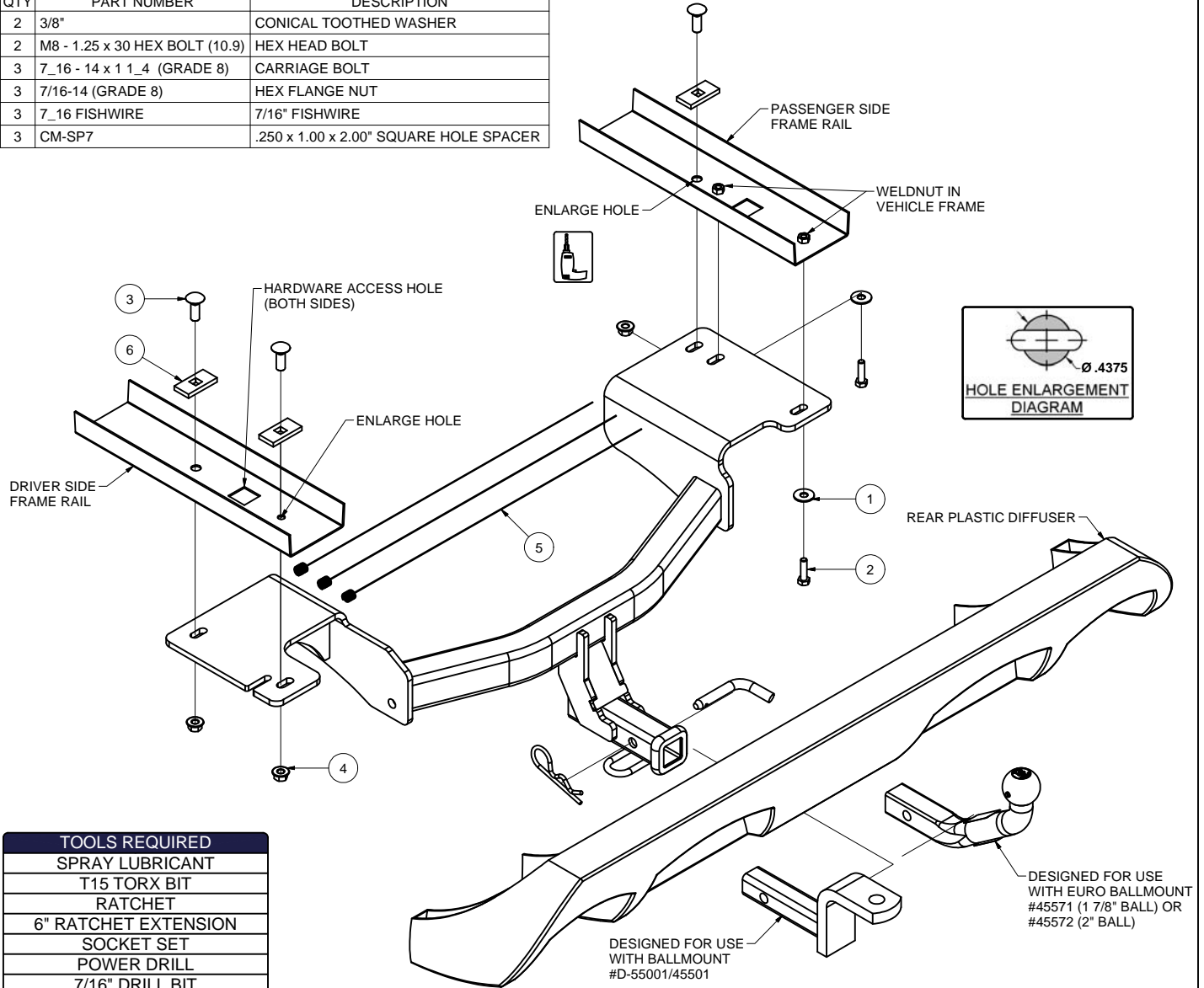
\*\*\*DO NOT EXCEED VEHICLE MANUFACTURER'S RECOMMENDED TOWING CAPACITY.\*\*\*

WARNING: ALL NON-TRAILER LOADS APPLIED TO THIS PRODUCT MUST BE SUPPORTED BY 18050 STABILIZING STRAPS.

\*\* FAILURE TO PROPERLY SUPPORT NON-TRAILER LOADS WILL VOID PRODUCT WARRANTY\*\*

HAVING INSTALLATION QUESTIONS? CALL TECHNICAL SUPPORT AT 1-800-798-0813

Parts List			
ITEM	QTY	PART NUMBER	DESCRIPTION
1	2	3/8"	CONICAL TOOTHED WASHER
2	2	M8 - 1.25 x 30 HEX BOLT (10.9)	HEX HEAD BOLT
3	3	7_16 - 14 x 1 1_4 (GRADE 8)	CARRIAGE BOLT
4	3	7/16-14 (GRADE 8)	HEX FLANGE NUT
5	3	7_16 FISHWIRE	7/16" FISHWIRE
6	3	CM-SP7	.250 x 1.00 x 2.00" SQUARE HOLE SPACER



TOOLS REQUIRED
SPRAY LUBRICANT
T15 TORX BIT
RATCHET
6" RATCHET EXTENSION
SOCKET SET
POWER DRILL
7/16" DRILL BIT
AVIATION SHEARS
TORQUE WRENCH

**HITCH WEIGHT:** 29 LBS.  
**INSTALL TIME**  
 PROFESSIONAL: 30 MINUTES  
 NOVICE (DIY): 60 MINUTES  
**INSTALL NOTES:**  
 - LOWER EXHAUST  
 - HOLE ENLARGEMENT  
 - FISHWIRING REQUIRED  
 - FASCIA TRIMMING

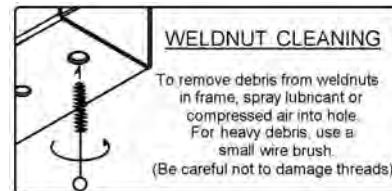
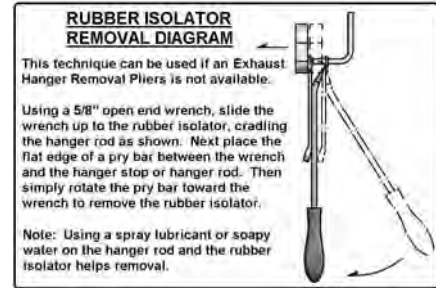
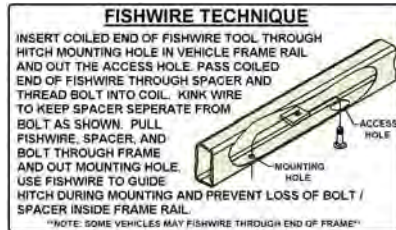
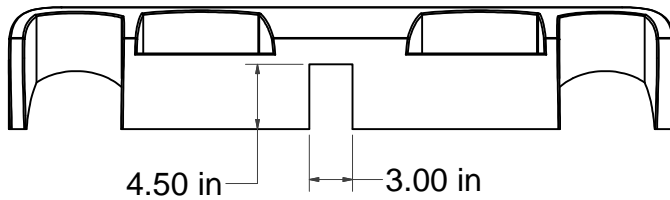


**PERIODICALLY CHECK THIS RECEIVER HITCH TO ENSURE THAT ALL FASTENERS ARE TIGHT AND THAT ALL STRUCTURAL COMPONENTS ARE SOUND.**

Curt Manufacturing LLC., warrants this product to be free of defects in material and/or workmanship at the time of retail purchase by the original purchaser. If the product is found to be defective, Curt Manufacturing LLC., may repair or replace the product, at their option, when the product is returned, prepaid, with proof of purchase. Alteration to, misuse of, or improper installation of this product voids the warranty. Curt Manufacturing LLC.'s liability is limited to repair or replacement of products found to be defective, and specifically excludes liability for incidental or consequential loss or damage.

HAVING INSTALLATION QUESTIONS? CALL TECHNICAL SUPPORT AT 1-800-798-0813

### BOTTOM VIEW OF VEHICLE PLASTIC DIFFUSER TRIM DIAGRAM



## INSTALLATION STEPS

1. Remove rear plastic diffuser by removing (2) T15 torx and (2) 5/16 screws from the bottom and by carefully disconnecting clips from inside of plastic. Pull piece gently away from rear of vehicle to remove. Set aside for trimming and reassembly.
2. Lower exhaust by removing rubber exhaust hangers from hanger rods in (1) location on the driver side and (1) location on the passenger side. The additional exhaust hanger bracket on the passenger side will need to be completely removed from the vehicle frame (if equipped). Remove and return the bracket and hardware to the owner.
3. The hitch will mount to (2) M8 weld nuts and (3) existing holes in the vehicle frame. The weldnuts can be found by removing protective tape from the frame rail. Remove square plugs from frame rails to reveal square access holes in frame. Return plugs to vehicle owner.
4. Using a 7/16" drill bit, enlarge holes rearward of square holes on driver side frame rail. Fishwire 7/16" carriage bolts and spacer blocks up through square hole and down through mounting holes as shown.
5. Raise hitch into position and secure hardware, taking care not to push the carriage bolts back up into frame rails. Torque all 7/16" fasteners to 70 lb-ft. Torque all M8 fasteners to 26 lb-ft.
6. Raise exhaust back into position and secure to vehicle hangers. Note that for enclosed mufflers, the passenger side exhaust bracket has been replaced with hanger now integral to the hitch.
7. Trim plastic diffuser as shown, centering the cutout. Carefully clip and secure the piece back in place.

PERIODICALLY CHECK THIS RECEIVER HITCH TO ENSURE THAT ALL FASTENERS ARE TIGHT AND THAT ALL STRUCTURAL COMPONENTS ARE SOUND.