

YEARS: 2018 - PRESENT

MAKE: BUICK

MODEL: REGAL TOUR X

STYLE: WAGON

WARNING: NEVER EXCEED YOUR VEHICLE MANUFACTURER'S RECOMMENDED TOWING CAPACITY
 For more information log onto www.curtmfg.com & for helpful towing tips log onto www.hitchinfo.com

WEIGHT CARRYING:
 TRAILER WEIGHT: 3,500 LBS.
 TONGUE WEIGHT: 350 LBS.

WARNING:
 WE RECOMMEND THE USE OF 18050 STABILIZING STRAPS FOR ALL NON-TRAILER (WHEEL-LESS) LOADS. PLEASE SEE THE CURT CATALOG OR VISIT US ONLINE AT WWW.CURTMFG.COM FOR FURTHER INFORMATION.

PRO INSTALL TIME: 30 MIN.
NOVICE INSTALL TIME: 60 MIN.

IF YOU ARE HESITANT TO UNDERTAKE THIS TASK ON YOUR OWN, CONTACT AN AUTHORIZED CURT INSTALLER FOR ADDITIONAL ASSISTANCE.

INSTALLATION REQUIRES:

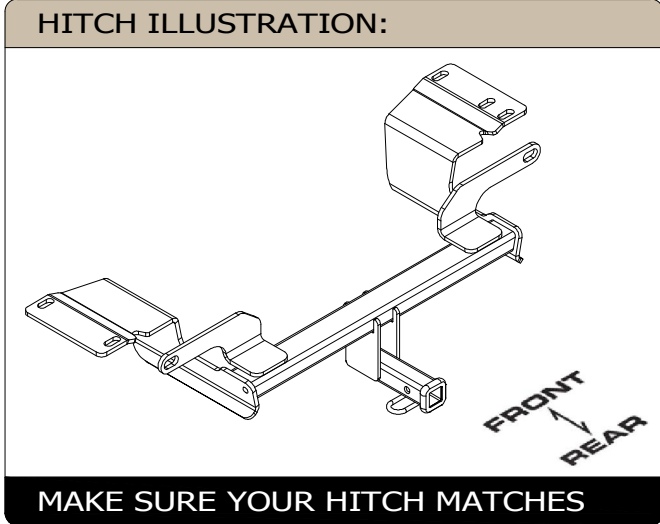
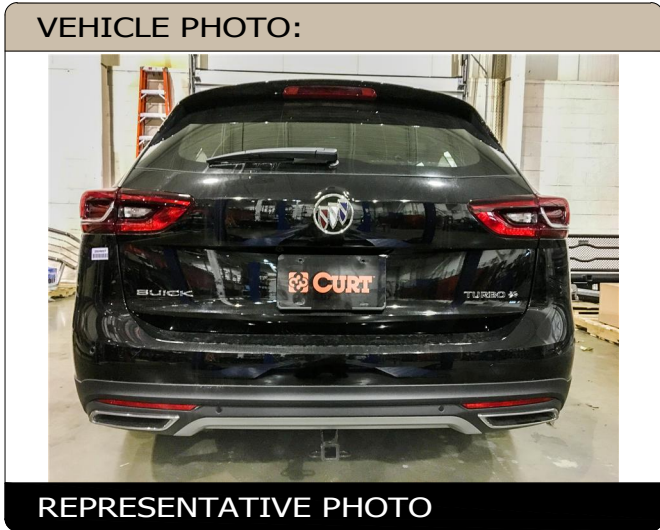
RATCHET	TORQUE WRENCH	8" SOCKET EXTENSION
SOCKETS	MASKING TAPE	AVIATION SHEARS
PLIERS	SAFETY GLASSES	

INSTALLATION TIPS:

- BEFORE YOU BEGIN INSTALLATION, READ ALL INSTRUCTIONS THOROUGHLY.
- TO EASE INSTALLATION, 2 PEOPLE MAY BE REQUIRED.
- USING PROPER TOOLS WILL GREATLY IMPROVE THE QUALITY OF THE INSTALL AND REDUCE THE TIME REQUIRED.
- NEED HELP OR HAVE SOME QUESTIONS? CALL TECHNICAL SUPPORT AT 800.798.0813

LEVEL OF DIFFICULTY: MODERATE

EASY	MODERATE	CHALLENGING
	NO DRILLING REQUIRED	
	TRIM HEAT SHIELD	
	LOWER EXHAUST	
	REMOVE HEAT SHIELD	



SCAN FOR MORE INFO

PERIODICALLY CHECK THIS RECEIVER HITCH TO ENSURE ALL FASTENERS ARE TIGHT AND ALL STRUCTURAL COMPONENTS ARE SOUND

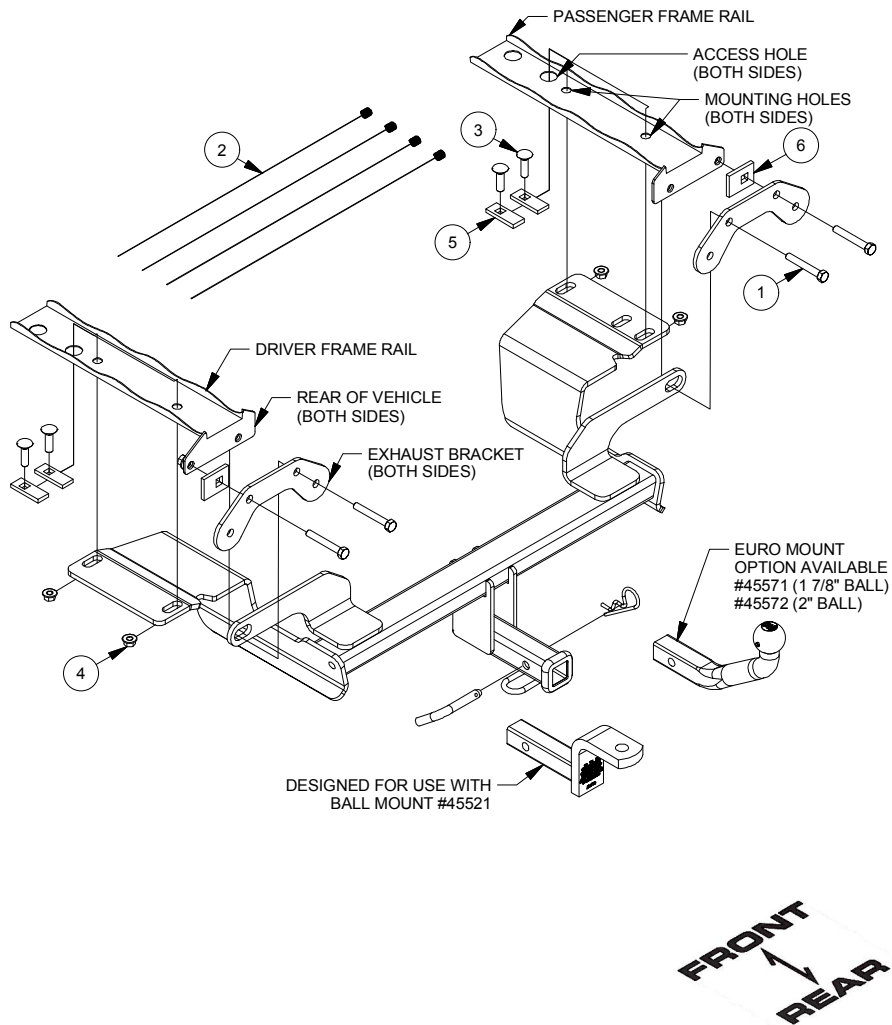
CURT Manufacturing LLC. warrants this product to be free of defects in material and/or workmanship at the time of retail purchase by the original purchaser. If the product is found to be defective, CURT Manufacturing LLC. may repair or replace the product at their option, when the product is returned, prepaid, with proof of purchase. Alteration to, misuse of, or improper installation of this product voids the warranty. CURT Manufacturing LLC.'s liability is limited to repair or replacement of products found to be defective, and specifically excludes liability for incidental or consequential loss or damage.

For more information log onto www.curtmfg.com , & for helpful towing tips log onto www.hitchinfo.com

This product complies with safety specifications and requirements for connecting devices and towing systems of the state of New York, V.E.S.C.Regulation V-5 and SAE J684.

INSTALLATION WALKTHROUGH:

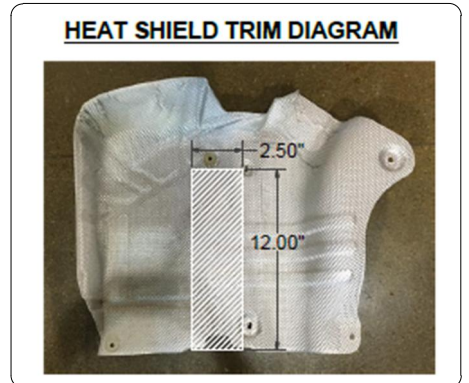
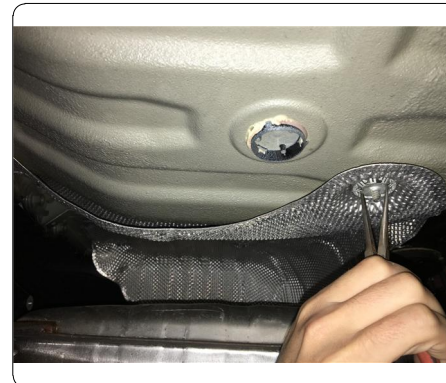
Parts List			
ITEM	QTY	PART NUMBER	DESCRIPTION
1	4	M10 - 1.5 x 65 HEX	HEX BOLT
2	4	7_16 FISHWIRE	7/16" FISHWIRE
3	4	7/16-14 x 1 1/2	CARRIAGE BOLT
4	4	7/16-14	HEX FLANGE NUT
5	4	CM-SP2	.250 x .88 x 2.25" SQUARE HOLE SPACER
6	2	CM-SP1	.250 x 1.50 x 2.00" SQUARE HOLE SPACER



1. Lower exhaust using 15mm socket to remove (2) bolts attaching the exhaust bracket to rear of vehicle, on each side.
NOTE: Support exhaust to avoid damage.



2. Remove heat shield using needle nose pliers to loosen (4) speed nuts on driver side and (2) speed nuts on passenger. Trim heat shield using aviation shears as shown in Heat Shield Trim Diagram. Reinstall trimmed heat shield.
NOTE: All dimensions are approximate, confirm fit prior to trimming.



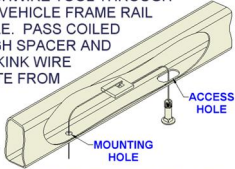
INSTALLATION WALKTHROUGH:

3. Fishwire (2) 7/16 carriage bolts and (2) CM-SP2 through access hole and out mounting holes on each side as shown in the Fishwire Technique Diagram. Reinstall trimmed heat shield.

FISHWIRE TECHNIQUE

INSERT COILED END OF FISHWIRE TOOL THROUGH HITCH MOUNTING HOLE IN VEHICLE FRAME RAIL AND OUT THE ACCESS HOLE. PASS COILED END OF FISHWIRE THROUGH SPACER AND THREAD BOLT INTO COIL. KINK WIRE TO KEEP SPACER SEPARATE FROM BOLT AS SHOWN. PULL FISHWIRE, SPACER, AND BOLT THROUGH FRAME AND OUT MOUNTING HOLE. USE FISHWIRE TO GUIDE HITCH DURING MOUNTING AND PREVENT LOSS OF BOLT / SPACER INSIDE FRAME RAIL.

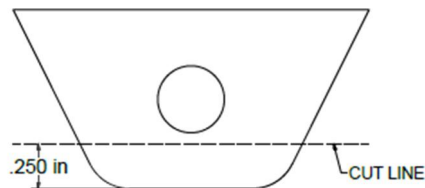
NOTE: SOME VEHICLES MAY FISHWIRE THROUGH END OF FRAME



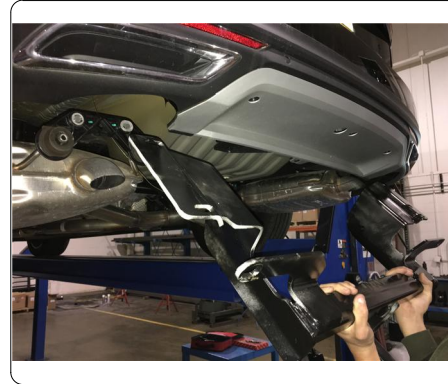
4. Remove (1) screw on each side using 7mm socket attaching rear fascia to vehicle.
NOTE: Trimming center fascia tab as shown in Fascia Tab Trim Diagram may ease installation.



FASCIA TAB TRIM DIAGRAM



5. Raise hitch into position and secure using (2) 7/16 flange nuts on each side.
NOTE: Bending exhaust bracket hanger down and away from mounting area may ease installation.



6. Reinstall vehicle exhaust bracket on hitch mounting plate and secure using (2) M10 x 70 and (1) CM-SP1 on each side.



INSTALLATION WALKTHROUGH:

7. Torque all 7/16 hardware to 59 ft-lbs and all M10 hardware to 45 ft-lbs.



Installation Complete



For more information log onto www.curtmfg.com, & for helpful towing tips log onto www.hitchinfo.com

TOWING SAFETY INFORMATION

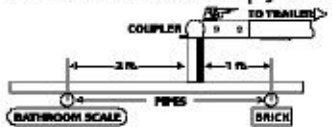
Gross Trailer Weight / GTW

The Gross Trailer Weight is the weight of the trailer & cargo. Measure this by putting the fully loaded trailer on a vehicle scale.



Tongue Weight / TW

The downward force that is exerted on the hitch ball by the coupler. The tongue weight will vary depending on where the load is positioned in relationship to the trailer axle(s). To measure the tongue weight, use either a commercial scale or a bathroom scale with the coupler at towing height. When using a bathroom scale with heavier tongue weights, use the method shown and multiply the scale reading by 3.



Weight Carrying / WC

The total weight of both the trailer and the cargo inside. Never exceed the weight capacity of your trailer hitch.

Weight Distribution / WD

Used to balance the weight of the cargo between the front and rear wheels throughout the trailer, allowing for better steering, braking, and level riding.



Sway Control

A device used to reduce the lateral movements of the trailer that are caused by the wind. This works in conjunction with a weight distribution hitch. Do not use this on a class 1 or 2 hitch, or with surge brakes.

How Much Can You Safely Tow?

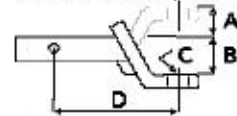
TONGUE WEIGHT (lb.)	1500	2000	3000	4000	5000	6000	7000	8000	10,000	12,000	
CLASS 1	CLASS 1										
CLASS 2	CLASS 2										
CLASS 3	CLASS 3										
CLASS 4	CLASS 4										
CLASS 5	CLASS 5										
TRAILER TYPE	1500	2000	3000	4000	5000	6000	7000	8000	10,000	12,000	
Coupler											
1/2" Inc.	1100	1200	1300	1400	1500	1600					
Weighted											
1/2" Inc.	2100	2400	2700	3000	3300	3600	3900	4200	4500	4800	
Weighted											
1/2" Inc.	2800	3200	3600	4000	4400	4800	5200	5600	6000	6400	
2 1/2" Wheel											

Refer to owner's manual for towing capabilities and limitations.

Ball Mount

The ball mount is placed inside the opening of the receiver hitch which is mounted to the vehicle. Make sure a hitch pin and clip is properly securing the ball mount to the receiver hitch before you begin towing.

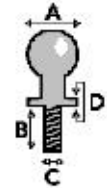
- A: Rise. B: Drop. C: Hole Size. D: Length.



Trailer Ball

The connection from the hitch to the trailer. There are many factors that determine the correct hitch ball:

- Number one is the hitch ball's gross trailer weight rating.
- The mounting platform must be at least 3/8" thick.
- The hole diameter must not be more than 1/16" larger than the threaded shank.
- Every time you tow, check the nut and lock washer to make sure they are fastened securely.
- A: Ball Dia. B: Shank Length. C: Shank Dia. D: Shank Rise.



Coupler

The component that is placed over the trailer ball to connect the vehicle to the trailer. Be sure that the coupler size matches the size of the hitch ball and that the coupler handle is securely fastened. To determine what size hitch ball you need for your application you will need to know the size of coupler that is on the trailer. Be sure your coupler is properly adjusted to the ball you are using.

NOTE: For added security the use of safety devices such as Coupler Safety Pins and Locks is strongly recommended.

Safety Chains

Safety chains are a requirement and should be crossed under the tongue of the trailer so that the tongue will not drop to the road if it becomes separated from the hitch. Always leave enough slack so you can turn. Never allow the safety chains to drag on the ground and never attach the chains to the bumper.

Trailer Classification: Safety Chain Breaking Force - Minimum

Class 1: 2,000 lbs. (8.9 kN)

Class 2: 3,500 lbs. (15.6 kN)

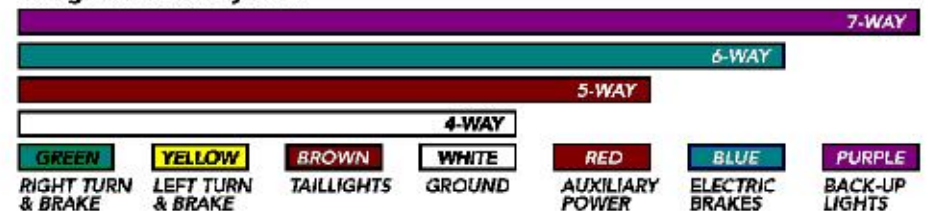
Class 3: 5,000 lbs. (22.2 kN)

The strength rating of each length of safety chain or its equivalent and its attachments shall be equal to or exceed in minimum breaking force the GVWR (Gross Vehicle Weight Rating) of the trailer.

Electrical

Trailer lights, Electric Brakes, Break-away systems - Every time you tow, be sure to check that all components are working properly.

Wiring identification by color:



CURT DISCLAIMER: WIRING COLOR SHOWN WORK IN CONJUNCTION WITH CURT MANUFACTURING PRODUCTS.

12173

BUICK REGAL TOUR X

6/14/2018

GROSS LOAD CAPACITY WHEN USED AS A WEIGHT CARRYING HITCH: 3,500 LBS. TRAILER WEIGHT & 350 LBS. TONGUE WEIGHT.



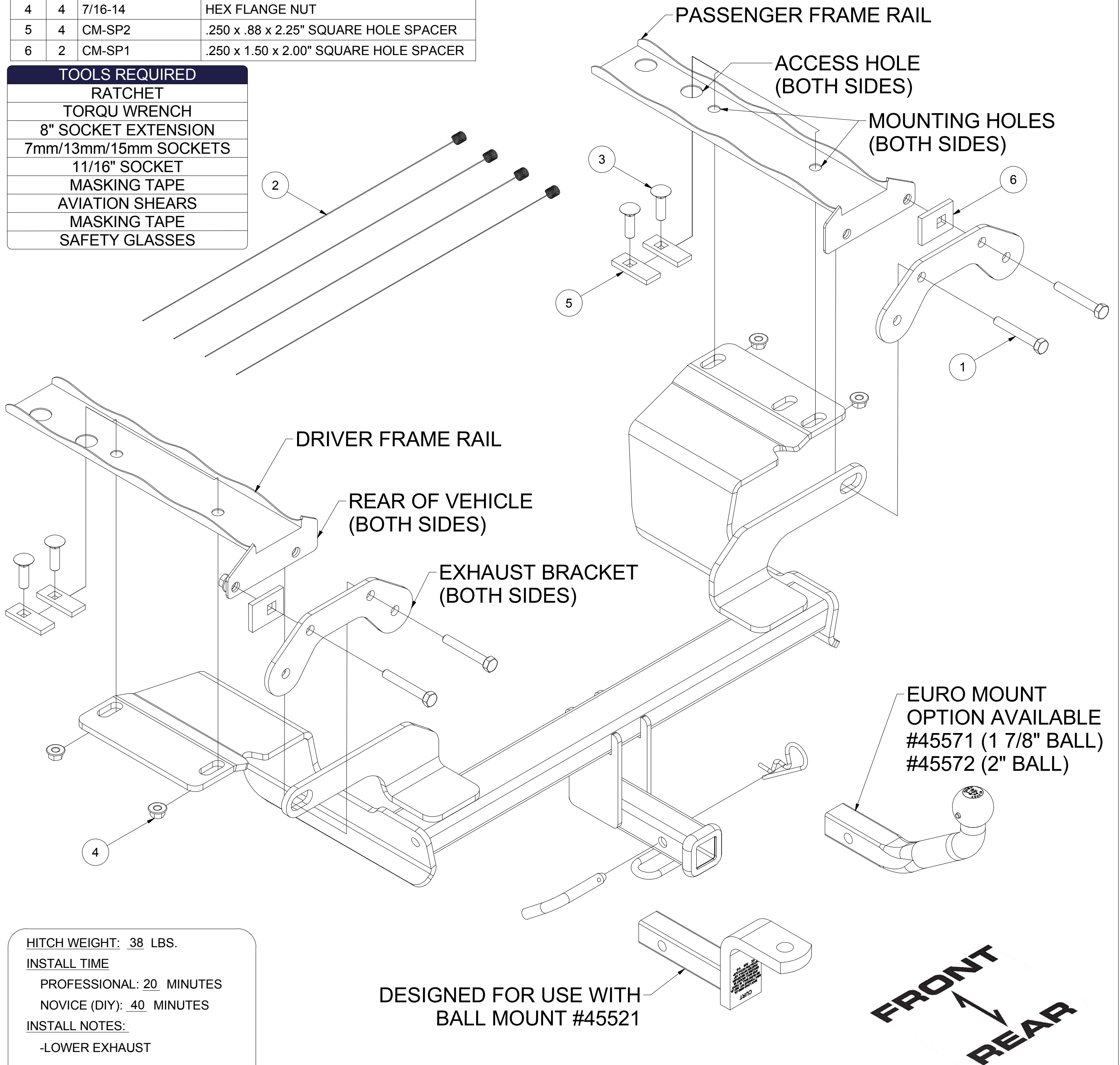
WARNING: * DO NOT EXCEED VEHICLE MANUFACTURER'S RECOMMENDED TOWING CAPACITY. *****

FOR MORE INFORMATION LOG ONTO WWW.CURTMFG.COM & FOR HELPFUL TOWING TIPS LOG ONTO WWW.HITCHINFO.COM
HAVING INSTALLATION QUESTIONS? CALL TECHNICAL SUPPORT AT 1-800-798-0813



Parts List			
ITEM	QTY	PART NUMBER	DESCRIPTION
1	4	M10 - 1.5 x 65 HEX	HEX BOLT
2	4	7_16 FISHWIRE	7/16" FISHWIRE
3	4	7/16-14 x 1 1/2	CARRIAGE BOLT
4	4	7/16-14	HEX FLANGE NUT
5	4	CM-SP2	.250 x .88 x 2.25" SQUARE HOLE SPACER
6	2	CM-SP1	.250 x 1.50 x 2.00" SQUARE HOLE SPACER

TOOLS REQUIRED
RATCHET
TORQU WRENCH
8" SOCKET EXTENSION
7mm/13mm/15mm SOCKETS
11/16" SOCKET
MASKING TAPE
AVIATION SHEARS
MASKING TAPE
SAFETY GLASSES



HITCH WEIGHT: 38 LBS.

INSTALL TIME

PROFESSIONAL: 20 MINUTES

NOVICE (DIY): 40 MINUTES

INSTALL NOTES:

-LOWER EXHAUST

-TRIM REQUIRED

DESIGNED FOR USE WITH
BALL MOUNT #45521

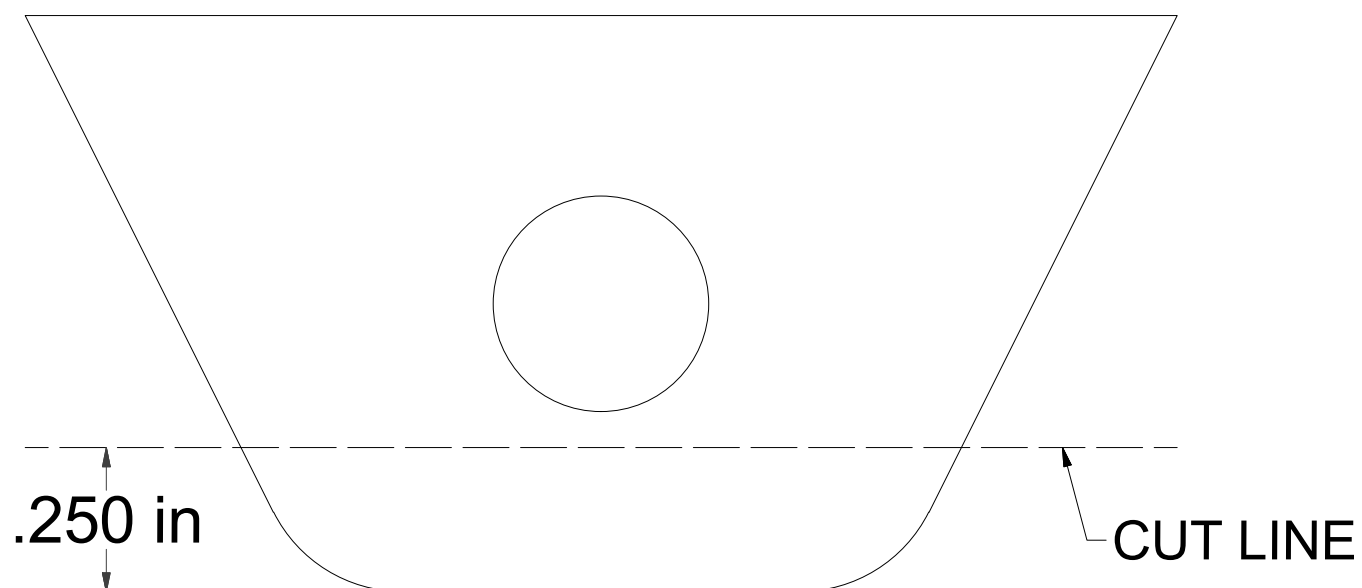


Scan for more information

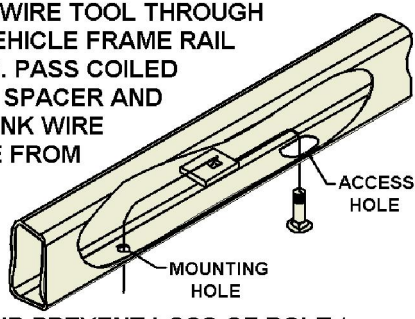
PERIODICALLY CHECK THIS RECEIVER HITCH TO ENSURE THAT ALL FASTENERS ARE TIGHT AND THAT ALL STRUCTURAL COMPONENTS ARE SOUND.

CURT Manufacturing LLC., warrants this product to be free of defects in material and/or workmanship at the time of retail purchase by the original purchaser. If the product is found to be defective, CURT Manufacturing LLC., may repair or replace the product, at their option, when the product is returned, prepaid, with proof of purchase. Alteration to, misuse of, or improper installation of this product voids the warranty. CURT Manufacturing LLC.'s liability is limited to repair or replacement of products found to be defective, and specifically excludes liability for incidental or consequential loss or damage.

This product complies with safety specifications and requirements for connecting devices and towing systems of the state of New York, V.E.S.C.Regulation V-5 and SAE J684.

FASCIA TAB TRIM DIAGRAM**HEAT SHIELD TRIM DIAGRAM****FISHWIRE TECHNIQUE**

INSERT COILED END OF FISHWIRE TOOL THROUGH HITCH MOUNTING HOLE IN VEHICLE FRAME RAIL AND OUT THE ACCESS HOLE. PASS COILED END OF FISHWIRE THROUGH SPACER AND THREAD BOLT INTO COIL. KINK WIRE TO KEEP SPACER SEPERATE FROM BOLT AS SHOWN. PULL FISHWIRE, SPACER, AND BOLT THROUGH FRAME AND OUT MOUNTING HOLE. USE FISHWIRE TO GUIDE HITCH DURING MOUNTING AND PREVENT LOSS OF BOLT / SPACER INSIDE FRAME RAIL.



NOTE: SOME VEHICLES MAY FISHWIRE THROUGH END OF FRAME

INSTALLATION STEPS

- Lower exhaust using 15mm socket to remove (2) bolts attaching the exhaust bracket to rear of vehicle, on each side.
NOTE: Support exhaust to avoid damage.
- Remove heat shield using needle nose pliers to loosen (4) speed nuts on driver side and (2) speed nuts on passenger side. Trim heat shield using aviation shears as shown in Heat Shield Trim Diagram. Reinstall trimmed heat shield
NOTE: All dimensions are approxiamate, confirm fit prior to trimming.
- Fishwire (2) 7/16 carriage bolts and (2) CM-SP2 through access hole and out mounting holes on each side as shown in the Fishwire Technique Diagram. Reinstall trimmed heat shield.
- Remove (1) screw on each side using 7mm socket attaching lower fascia to inner fascia.
NOTE: Trimming center fascia tab as shown in Fascia Tab Trim Diagram may ease installation.
- Raise hitch into position and secure using (2) 7/16 flange nuts on each side.
NOTE: Bending exhaust bracket hanger down and away from mounting area may ease installation.
- Reinstall vehicle exhaust bracket on hitch mounting plate and secure using (2) M10 x 70 and (1) CM-SP1 on \ each side.
- Torque all 7/16 hardware to 59 ft-lbs and all M10 hardware to 45 ft-lbs.

Installation Complete

PERIODICALLY CHECK THIS RECEIVER HITCH TO ENSURE THAT ALL FASTENERS ARE TIGHT AND THAT ALL STRUCTURAL COMPONENTS ARE SOUND.