

12285

1999-2006 VOLVO S-80 SEDAN

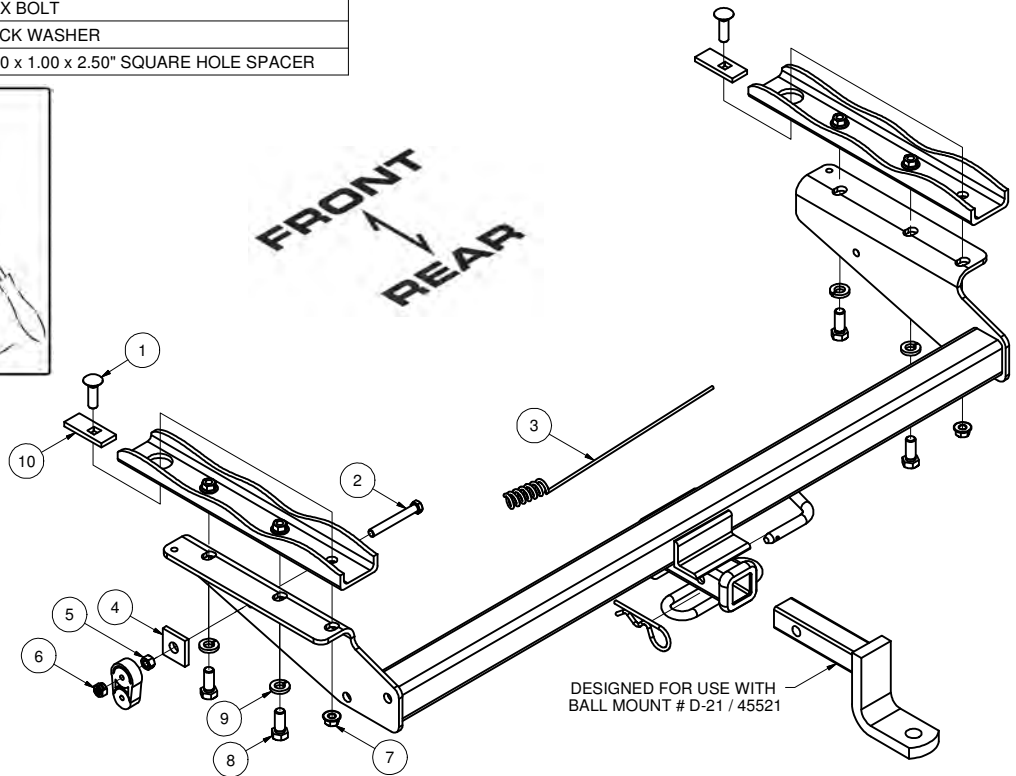
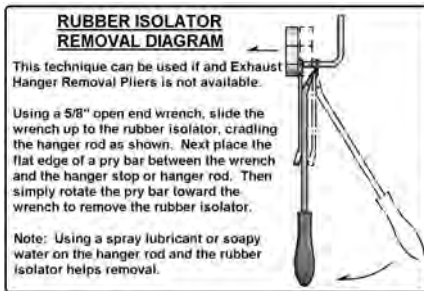
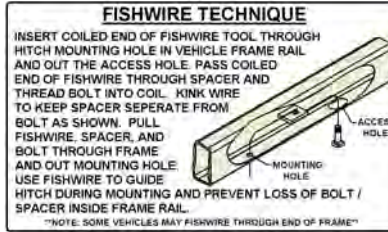
10/12/2012

GROSS LOAD CAPACITY WHEN USED AS A WEIGHT CARRYING HITCH: 3500 LBS. TRAILER WEIGHT &amp; 350 LBS. TONGUE WEIGHT.

**\*\*\*DO NOT EXCEED VEHICLE MANUFACTURER'S RECOMMENDED TOWING CAPACITY.\*\*\*****WARNING: ALL NON-TRAILER LOADS APPLIED TO THIS PRODUCT MUST BE SUPPORTED BY AUXILIARY STABILIZING STRAPS.****\*\* FAILURE TO PROPERLY SUPPORT NON-TRAILER LOADS WILL VOID PRODUCT WARRANTY\*\***

HAVING INSTALLATION QUESTIONS? CALL TECHNICAL SUPPORT AT 1-800-798-0813

Parts List			
ITEM	QTY	PART NUMBER	DESCRIPTION
1	2	7/16-14 x 1 1/2	CARRIAGE BOLT
2	1	3/8-16 x 3	HEX BOLT
3	1	CM-438-FW	7/16" FISHWIRE TOOL
4	1	CM-SP22	.250 x 1.50 x 1.50" ROUND HOLE SPACER
5	1	3/8 - 16	HEX NUT
6	1	3/8-16	REV LOCK NUT
7	2	7/16-14	HEX FLANGE NUT
8	4	M12-1.75 x 30mm	HEX BOLT
9	4	1/2"	LOCK WASHER
10	2	CM-SP11	.250 x 1.00 x 2.50" SQUARE HOLE SPACER



HITCH WEIGHT: 32 LBS.

**INSTALL TIME**

PROFESSIONAL: 40 MINUTES

NOVICE (DIY): 85 MINUTES

**INSTALL NOTES:**

- FASCIA TRIMMING REQUIRED
- REMOVE MUFFLER HANGER
- REMOVE TIE DOWN BRACKET

**INSTALLATION STEPS**

1. Trim a notch into the bumper fascia lip about 3 1/4" wide to provide clearance for hitch receiver tube.
2. Remove (2) M12 bolts from both sides of vehicle frame.
3. Remove the rubber muffler hanger and trim the heat shield tab as needed. (See RUBBER ISOLATOR REMOVAL DIAGRAM)
4. Remove rubber plugs from access holes on both sides of the vehicle frame.
5. Fishwire carriage bolts and square hole spacers into position with the fishwire provided. (See FISHWIRE TECHNIQUE)
6. Raise hitch into position and sandwich the muffler heat shield tab between hitch mounting plate and the vehicle frame.
7. Install remaining fasteners and rubber muffler hanger as shown.
8. Torque 7/16" fasteners to 70 lb-ft. and 3/8" fasteners to 45 lb-ft.

**PERIODICALLY CHECK THIS RECEIVER HITCH TO ENSURE THAT ALL FASTENERS ARE TIGHT AND THAT ALL STRUCTURAL COMPONENTS ARE SOUND.**

Curt Manufacturing Inc., warrants this product to be free of defects in material and/or workmanship at the time of retail purchase by the original purchaser. If the product is found to be defective, Curt Manufacturing Inc., may repair or replace the product, at their option, when the product is returned, prepaid, with proof of purchase. Alteration to, misuse of, or improper installation of this product voids the warranty. Curt Manufacturing Inc.'s liability is limited to repair or replacement of products found to be defective, and specifically excludes liability for incidental or consequential loss or damage.