



Safety glasses should be worn at all times while installing this product.

YEARS: 2015-CURRENT

MAKE: CHEVROLET / GMC

MODEL: 2500 / 3500

STYLE: PICKUP

WARNING: NEVER EXCEED YOUR VEHICLE MANUFACTURER'S RECOMMENDED TOWING CAPACITY






WEIGHT CARRYING:
 TRAILER WEIGHT: 5,000 LBS.
 TONGUE WEIGHT: 500 LBS.

GROSS LOAD CAPACITY WHEN USED AS A STRAIGHT LINE PULL:
 9,000 LBS MAX.

PRO INSTALL TIME: 25 MIN.
NOVICE INSTALL TIME: 50 MIN.

IF YOU ARE HESITANT TO UNDERTAKE THIS TASK ON YOUR OWN, CONTACT AN AUTHORIZED CURT INSTALLER FOR ADDITIONAL ASSISTANCE.

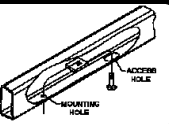

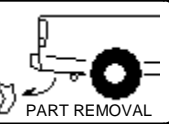
INSTALLATION REQUIRES:

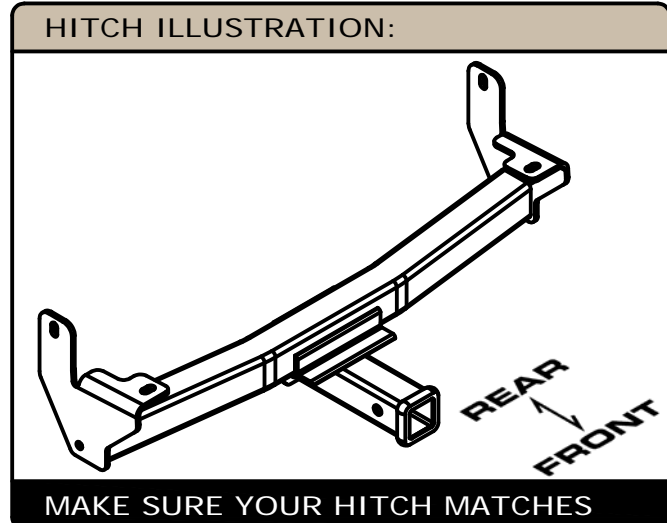
 RATCHET	 18mm 3/4" SOCKET	 UNIVERSAL JOINT SOCKET
 TORQUE WRENCH	 SAFETY GLASSES	

INSTALLATION TIPS:

- BEFORE YOU BEGIN INSTALLATION, READ ALL INSTRUCTIONS THOROUGHLY.
- TO EASE INSTALLATION, 2 PEOPLE MAY BE REQUIRED.
- USING PROPER TOOLS WILL GREATLY IMPROVE THE QUALITY OF THE INSTALL AND REDUCE THE TIME REQUIRED.
- NEED HELP OR HAVE SOME QUESTIONS? CALL TECHNICAL SUPPORT AT 800.798.0813

LEVEL OF DIFFICULTY: EASY

EASY	MODERATE	CHALLENGING
	REQUIRES FISHWIRING (2) CARRIAGE BOLTS AND (2) SPACERS	
	NO DRILLING REQUIRED	
	REMOVING (2) TOW LOOP BOLTS AND LOOSEN (2) TOW LOOP BOLTS	



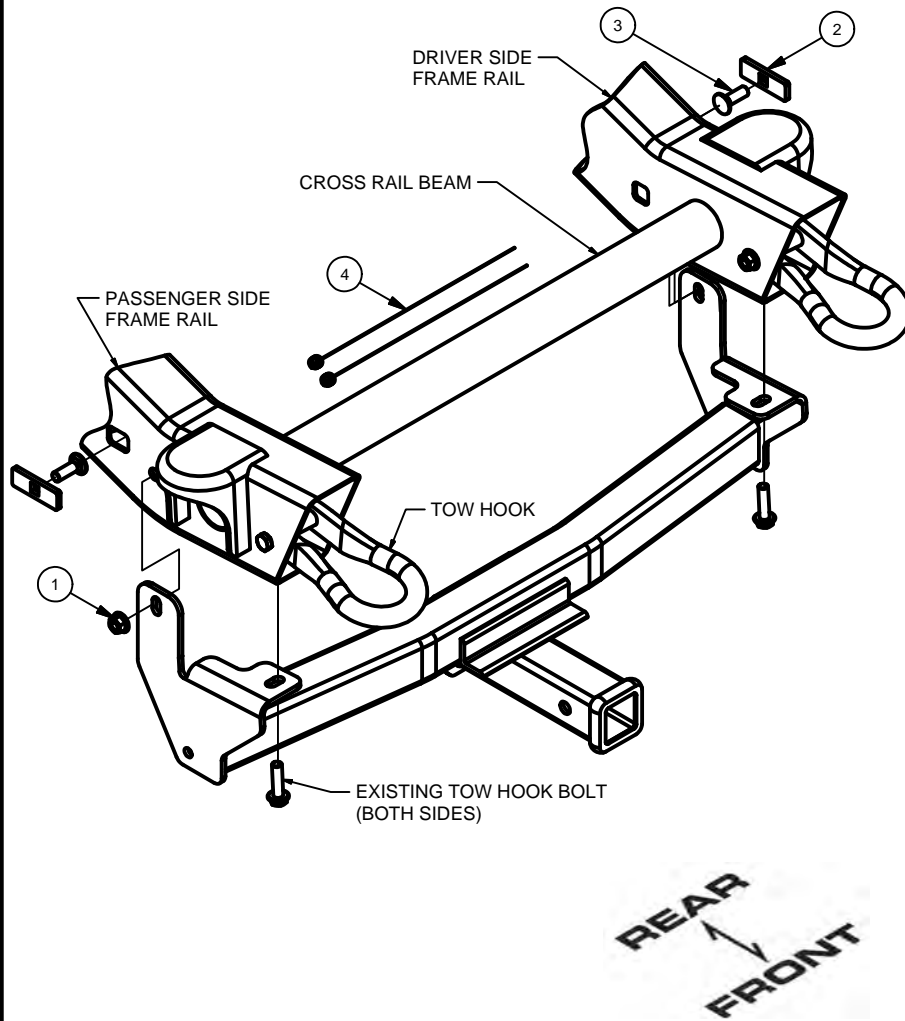
SCAN FOR MORE INFO

PERIODICALLY CHECK THIS RECEIVER HITCH TO ENSURE ALL FASTENERS ARE TIGHT AND ALL STRUCTURAL COMPONENTS ARE SOUND

CURT Manufacturing LLC. warrants this product to be free of defects in material and/or workmanship at the time of retail purchase by the original purchaser. If the product is found to be defective, CURT Manufacturing LLC. may repair or replace the product at their option, when the product is returned, prepaid, with proof of purchase. Alteration to, misuse of, or improper installation of this product voids the warranty. CURT Manufacturing LLC.'s liability is limited to repair or replacement of products found to be defective, and specifically excludes liability for incidental or consequential loss or damage. For more information log onto www.curtmfg.com, & for helpful towing tips log onto www.hitchinfo.com

INSTALLATION WALKTHROUGH:

Parts List			
ITEM	QTY	PART NUMBER	DESCRIPTION
1	2	HFN 1213, GR8	HEX FLANGE NUT
2	2	CM-SP6	.250 x 1.00 x 3.00" SQUARE HOLE SPACER
3	2	1/2-13 x 1 1/2, GR8	CARRIAGE BOLT
4	2	1_2 FISHWIRE	1/2" FISHWIRE



1. Using an 18mm socket, remove the (1) bolt from the bottom of the truck frame attaching the tow hook to the vehicle. Loosening the remaining tow-hook mounting bolt may be required. Repeat for other side and retain for hitch installation.



2. Fishwire the 1/2" carriage bolts and spacers into position through either the side of the frame, the end of frame, or the opening in the bottom of the frame. Do not pull bolts out through the frame so as to allow the hitch to move into position.



INSTALLATION WALKTHROUGH:

3. Thread the ends of the fishwires into the vertical side plate slots of the hitch. Raise hitch into position by sliding the tabs over the outside of the frame and rotating the bent flanges up into the bumper cavity.



4. Pull the fishwires so the bolts hold the hitch, remove the fishwires, and loosely install the 1/2" hex flange nuts. Reinstall the tow hook bolts removed in step 1, capturing the hitch as well.



5. Torque all 1/2" fasteners to 110 lb-ft and all 12mm fasteners to 92 lb-ft.



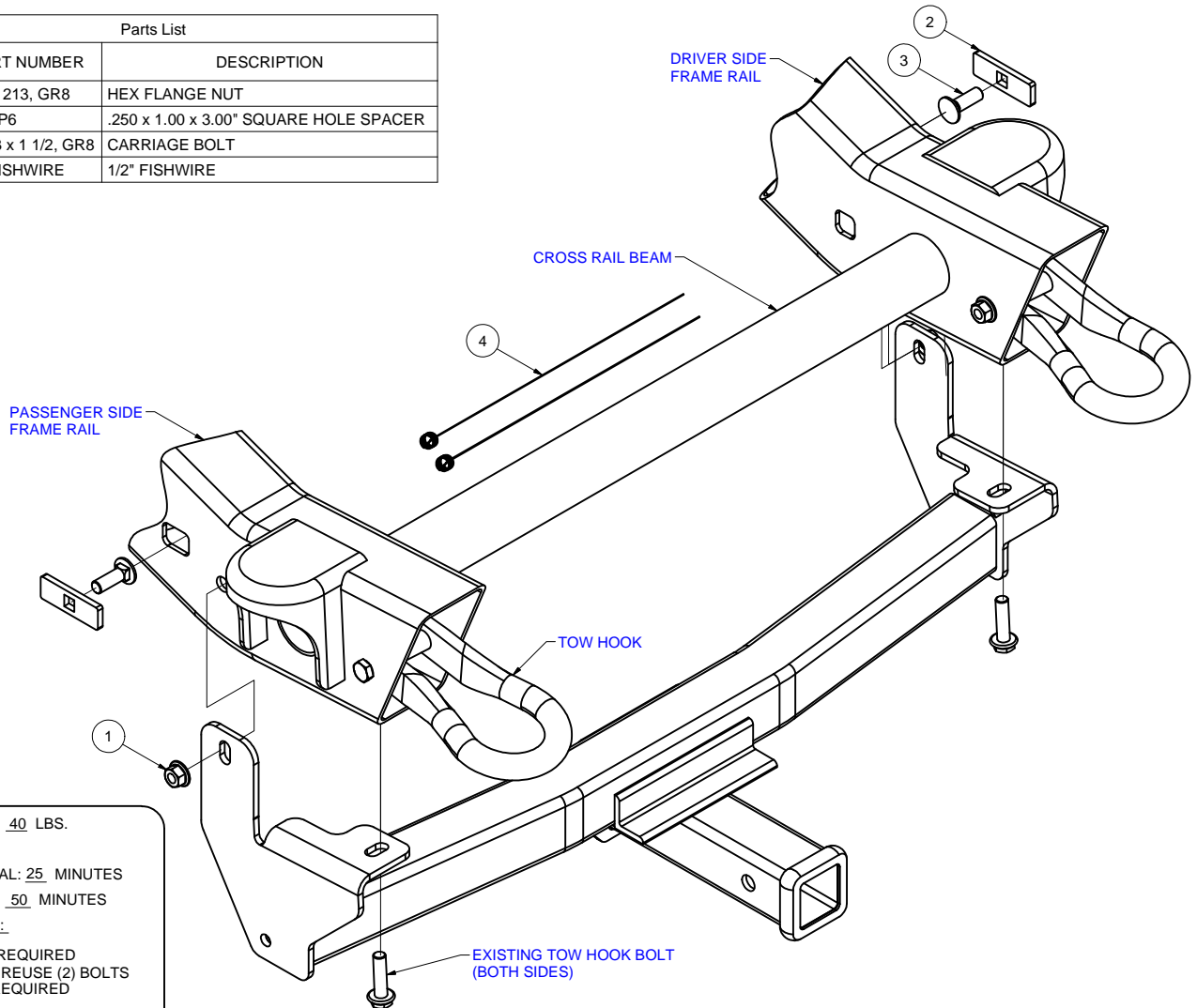
Installation Complete



31071**CHEVROLET / GMC 2500 / 3500****10/28/2014****GROSS LOAD CAPACITY WHEN USED AS A WEIGHT CARRYING HITCH: 5,000 LBS. TRAILER WEIGHT & 500 LBS. TONGUE WEIGHT.****GROSS LOAD CAPACITY WHEN USED AS A STRAIGHT LINE PULL: 9,000 LBS. MAX. LINE PULL.******* DO NOT EXCEED VEHICLE MANUFACTURER'S RECOMMENDED TOWING CAPACITY. *******HAVING INSTALLATION QUESTIONS? CALL TECHNICAL SUPPORT AT 1-800-798-0813**

Parts List

ITEM	QTY	PART NUMBER	DESCRIPTION
1	2	HFN 1213, GR8	HEX FLANGE NUT
2	2	CM-SP6	.250 x 1.00 x 3.00" SQUARE HOLE SPACER
3	2	1/2-13 x 1 1/2, GR8	CARRIAGE BOLT
4	2	1_2 FISHWIRE	1/2" FISHWIRE

**HITCH WEIGHT: 40 LBS.****INSTALL TIME**

PROFESSIONAL: 25 MINUTES

NOVICE (DIY): 50 MINUTES

INSTALL NOTES:

- NO DRILLING REQUIRED
- REMOVE AND REUSE (2) BOLTS
- FISHWIRING REQUIRED

INSTALLATION STEPS

1. Using an 18mm socket, remove the (1) bolt from the bottom of the truck frame attaching the tow hook to the vehicle. Loosening the remaining tow-hook mounting bolt may be required. Repeat for other side and retain for hitch installation.
2. Fishwire the 1/2" carriage bolts and spacers into position through either the side of the frame, the end of frame, or the opening in the bottom of the frame. Do not pull bolts out through the frame so as to allow the hitch to move into position.
3. Thread the ends of the fishwires into the vertical side plate slots of the hitch. Raise hitch into position by sliding the tabs over the outside of the frame and rotating the bent flanges up into the bumper cavity.
4. Pull the fishwires so the bolts hold the hitch, remove the fishwires, and loosely install the 1/2" hex flange nuts. Reinstall the tow hook bolts removed in step 1, capturing the hitch as well.
5. Torque all 1/2" fasteners to 110 lb-ft and all 12mm fasteners to 92 lb-ft.

PERIODICALLY CHECK THIS RECEIVER HITCH TO ENSURE THAT ALL FASTENERS ARE TIGHT AND THAT ALL STRUCTURAL COMPONENTS ARE SOUND.



Scan for more information

CURT Manufacturing LLC., warrants this product to be free of defects in material and/or workmanship at the time of retail purchase by the original purchaser. If the product is found to be defective, CURT Manufacturing LLC., may repair or replace the product, at their option, when the product is returned, prepaid, with proof of purchase. Alteration to, misuse of, or improper installation of this product voids the warranty. CURT Manufacturing LLC.'s liability is limited to repair or replacement of products found to be defective, and specifically excludes liability for incidental or consequential loss or damage.

DO NOT EXCEED VEHICLE MANUFACTURER'S RECOMMENDED TOWING CAPACITY.

FRONT MOUNTED ACCESSORIES

1) Do not exceed front axle Gross Weight Rating (GAWR). Consult owners manual or specification plate located on driver's door frame. Measure gross front axle weight by placing front wheels of loaded vehicle on a scale.

WARNING: Exceeding GAWR may overload the front axle and/or suspension. This could result in **accident, property damage and personal injury.**

- 2) Reposition front mounted license plate if obstructed.
- 3) Do not obstruct vehicle lights.
- 4) Allow free air flow into grille opening.
- 5) Rear wheel traction may be reduced. This could effect handling. Reduce speed and drive with caution.
- 6) Accessories extend front of vehicle. This may reduce approach angle. Use caution when parking and maneuvering.
- 7) Do not obstruct driver view.

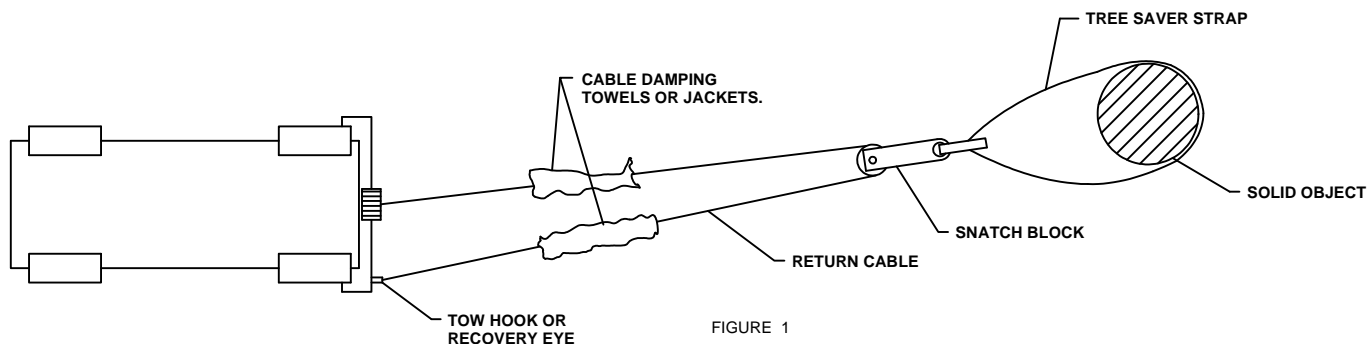
VEHICLE RECOVERY AND WINCHING TIPS

1) Use OEM tow hooks, recovery eyes or a clevis mount for attachment of a tow strap or winch cable.

WARNING: NEVER use a ball and/or ball mount as an anchor point for tow strap or winch cable. Severe personal injury or death could result.

- 2) Observe winch manufacturer's recommendations, cautions and warnings.
- 3) Attach return cable to tow hook or recovery eye when using a snatch block (See figure 1).

CAUTION: Do not attach return cable to winch mount. This may overload winch mount and/or front mounted receiver.



RATING

For **Maximum** line pull rating, winch cable must not exceed:

- 15 degree angle up or down from horizontal (See Figure 2).
- 45 degree angle left or right from straight ahead (See Figure 3).

CAUTION: Exceeding the maximum line pull rating may over load winch, winch mount, and/or front mounted receiver.

