



**Before returning this product
to the store of purchase**

Contact Dee Zee if you experience the following problems:

- Missing Parts
- Installation Problems/Questions
- Warranty Questions

1.800.779.2102

Hours of operation: 8am - 5pm CST, Mon-Friday

Review complete warranty policy and register your product at:

www.deezee.com



Dee Zee Toolbox Installation Instructions

Congratulations on your purchase of a quality Dee Zee product. Dee Zee is recognized as having the highest quality running boards and accessories on the market today. We have earned this reputation by offering our customers a product they can be proud to place on their vehicles. Dee Zee meets all the criteria of manufacturing a custom-fit product which guarantees it to be the easiest product to install.

Note: Please take time to read all of the instructions before beginning this installation.

Warning! If it is necessary to drill any holes into the vehicle, Dee Zee recommends putting a sealant or rust inhibitor around all holes drilled into the body of the vehicle.

Cleaning Instructions: To maintain the bright finish of your Dee Zee Stainless Steel Toolbox, clean with a mild detergent and then apply a high grade automotive type wax.

If you should happen to have any questions with this product or you have an installation question, please feel free to call us at:
1-800-779-8222

If you would like to find out more information on Dee Zee's products please feel free to visit our website at:
WWW.DEEZEE.COM

Side Mount / Topsider Toolbox Installation Instructions

This toolbox installation instruction is for both Single-Lid Toolboxes and Double-Lid Toolboxes.
 Cette instruction d'installation de boîte à outils est pour des boîtes à outils de Single-Lid et des boîtes à outils de Double-Lid.

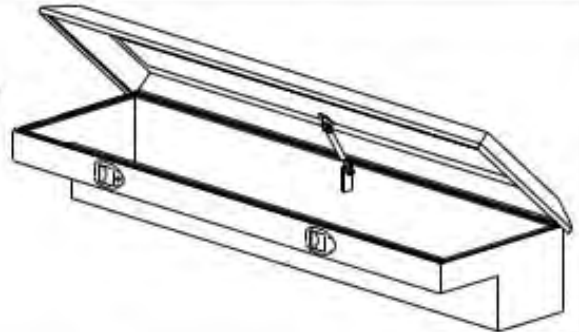
A

Britetread Side Mount Toolbox:

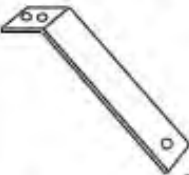
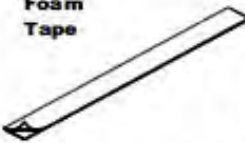






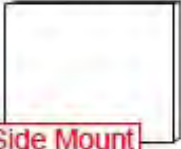

Toolbox lid design may vary from picture with different toolbox models.

Boîte à outils De Support De Côté De Britetread:

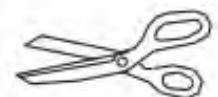
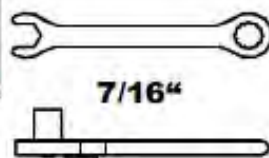
La conception de couvercle de boîte à outils peut changer de l'image avec différents modèles de boîte à outils.



X1

<p>B</p> <p>Mounting Bracket</p>  <p>X4</p>	<p>C</p> <p>Foam Tape</p>  <p>X2</p>	<p>D</p> <p>1/4" Flat Washer</p>  <p>Black</p> <p>X12</p>	<p>E</p> <p>1/4 x 1" Sheet Metal Screw</p>  <p>Black</p> <p>X4</p>	<p>F</p> <p>1/4 x 1" Sheet Metal Screw</p>  <p>X8</p>
<p>G</p> <p>1/4 x 1" hex cap screw</p>  <p>X8</p>	<p>H</p> <p>1/4" Nylon insert lock nut</p>  <p>X8</p>		<p>J</p> <p>TB-Channel</p>  <p>Side Mount Only</p> <p>X6</p>	<p>K</p> <p>TB-Divider</p>  <p>Side Mount Only</p> <p>X3</p>
<p>L</p> <p>CO-Tape</p>  <p>Side Mount Only</p> <p>X18</p>				

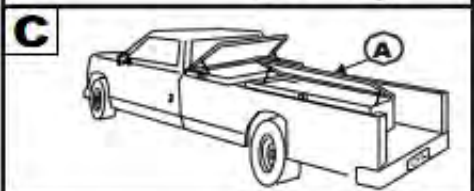
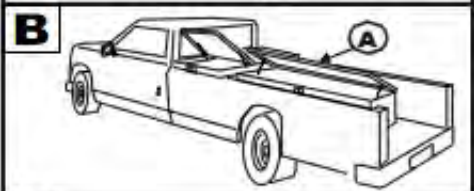
**Tools Required:
Outils Nécessaires:**



1

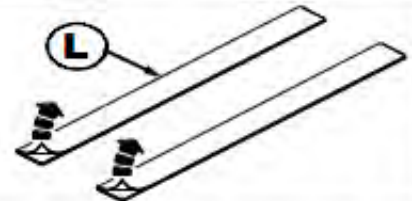
Use the pictures to the right as a guide in locating the side mount / tepsider toolbox (A). Note: If the side mount / tepsider toolbox (A) is to be installed with a front mount toolbox (As shown in Drawings B and C), be sure to leave enough space between the toolboxes to allow clearance to open both toolbox lids.

Utilisez les images vers la droite comme guide en localisant la boîte à outils de support de côté de britetread (a). Note: Si la boîte à outils de support de côté de britetread (a) est d'être installée avec une boîte à outils avant de support (comme montré dans les schémas B et C), soit sûr de laisser assez d'espace entre les boîtes à outils pour permettre au dégagement d'ouvrir les deux couvercles de boîte à outils.

**2**

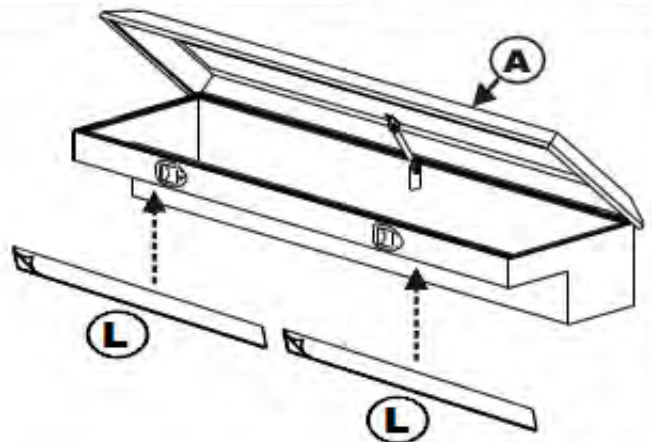
Peel backing off of foam tape (L).

Dégagement de peau de la bande de mousse (L).

**3**

Place foam tape (L) onto the bottom of side mount / tepsider toolbox (A) to protect the bed rail of the vehicle.

Placez la bande de mousse (L) sur le bas de la boîte à outils de support de côté de britetread (a) pour protéger le rail de lit du véhicule.

**4**

Drill 3/16" holes through the inside side mount / tepsider toolbox (A) and the pickup truck bed rail according to the part number listed below:

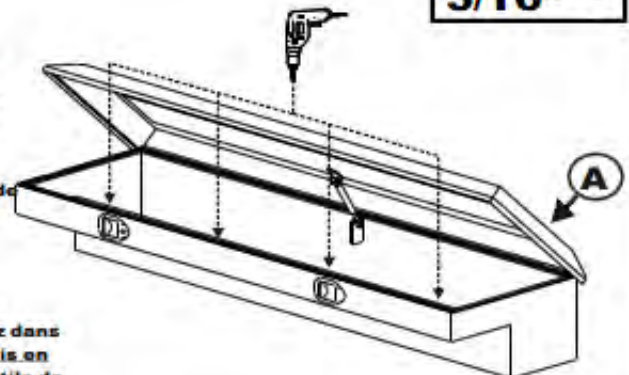
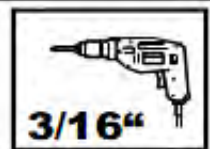
- 1) 48 / tepsider - Drill four holes through the bed rail.
- 2) 60, 68 - Drill six holes through the bed rail.
- 3) 87 - Drill eight holes through the bed rail.

Secure into position using 1/4 x 1" sheet metal screws (F). Tighten into place using a 7/16" wrench / or socket. Note: Do not overtighten the sheet metal screws. Make sure that if your vehicle already has a crossover toolbox installed, that you position your side mount toolbox so that it is aligned with the crossover toolbox.

Forez 3/16" des trous par la boîte à outils intérieure de support de côté de britetread (a) et le rail de lit de petit camion selon le numéro de la pièce énuméré ci-dessous:

- 1) 48 - Exercices quatre trous par le rail de lit.
- 2) 60, 68 - Exercices six trous par le rail de lit.
- 3) 87 - Exercices huit trous par le rail de lit.

Fixez en l'place en utilisant 1/4 x 1" les vis en métal de feuille (F). Serrez dans l'endroit en utilisant un 7/16" clé / ou plot. Note: Ne trop serrez pas les vis en métal de feuille. Assurez-vous que si votre véhicule a déjà une boîte à outils de pont installée, cela vous placent votre boîte à outils latérale de support de sorte qu'il soit aligné avec la boîte à outils de croisement.



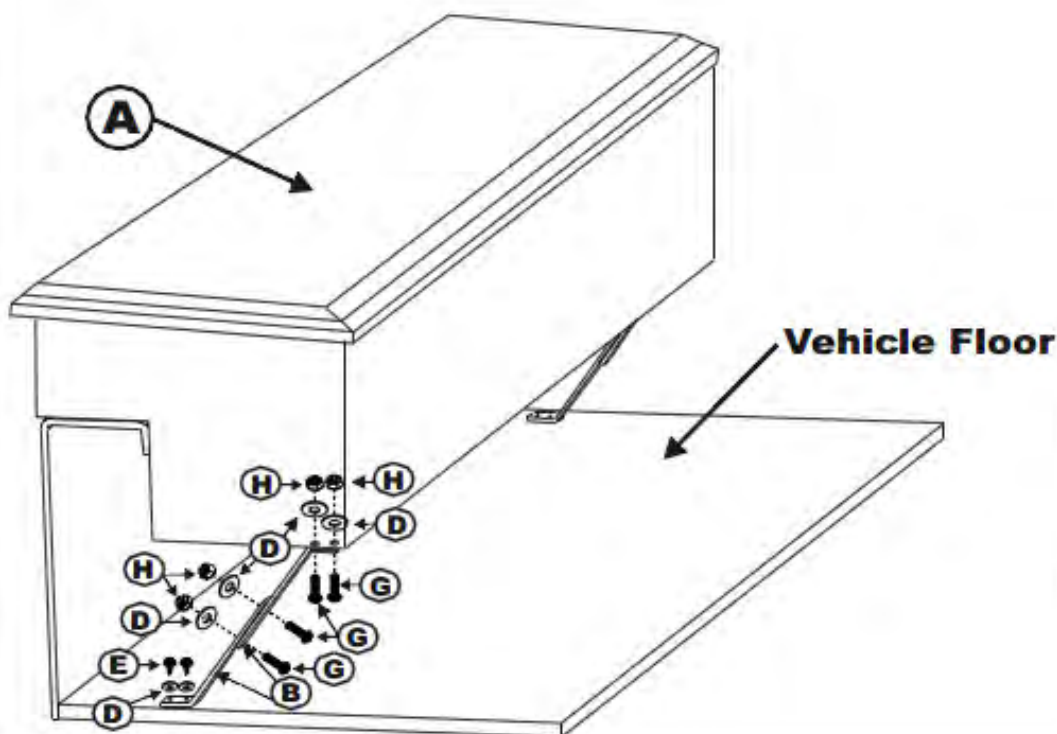
5

Hold the side mount / topsider toolbox (A) level while positioning mounting bracket (B) as shown below. Once the toolbox (A) is level and the mounting brackets (B/B) are in the desired position, use a pair of vise-grips to hold them together. Now use the existing holes in mounting bracket (B) as a guide to drill two 3/16" holes through mounting brackets (B/B). Secure both mounting brackets (B/B) together using a 1/4 x 1" button head bolt (G), 1/4" flat washer (D), and 1/4" hex nut (H) at each location. Tighten the 1/4" hex nut (H) until snug using a 7/16" wrench / or socket.

Reposition mounting brackets (B / B) and then re-check the toolbox (A) to make sure that it is level.

Use the existing holes in the bottom of mounting bracket (B) and mark the vehicle floor. Drill two 3/16" holes in the vehicle floor at the marked locations. Secure mounting brackets (B) to the vehicle floor using 1/4 x 1" black sheet metal screws (E) and 1/4" black flat washers (D). Tighten into place using a 7/16" wrench / or socket.

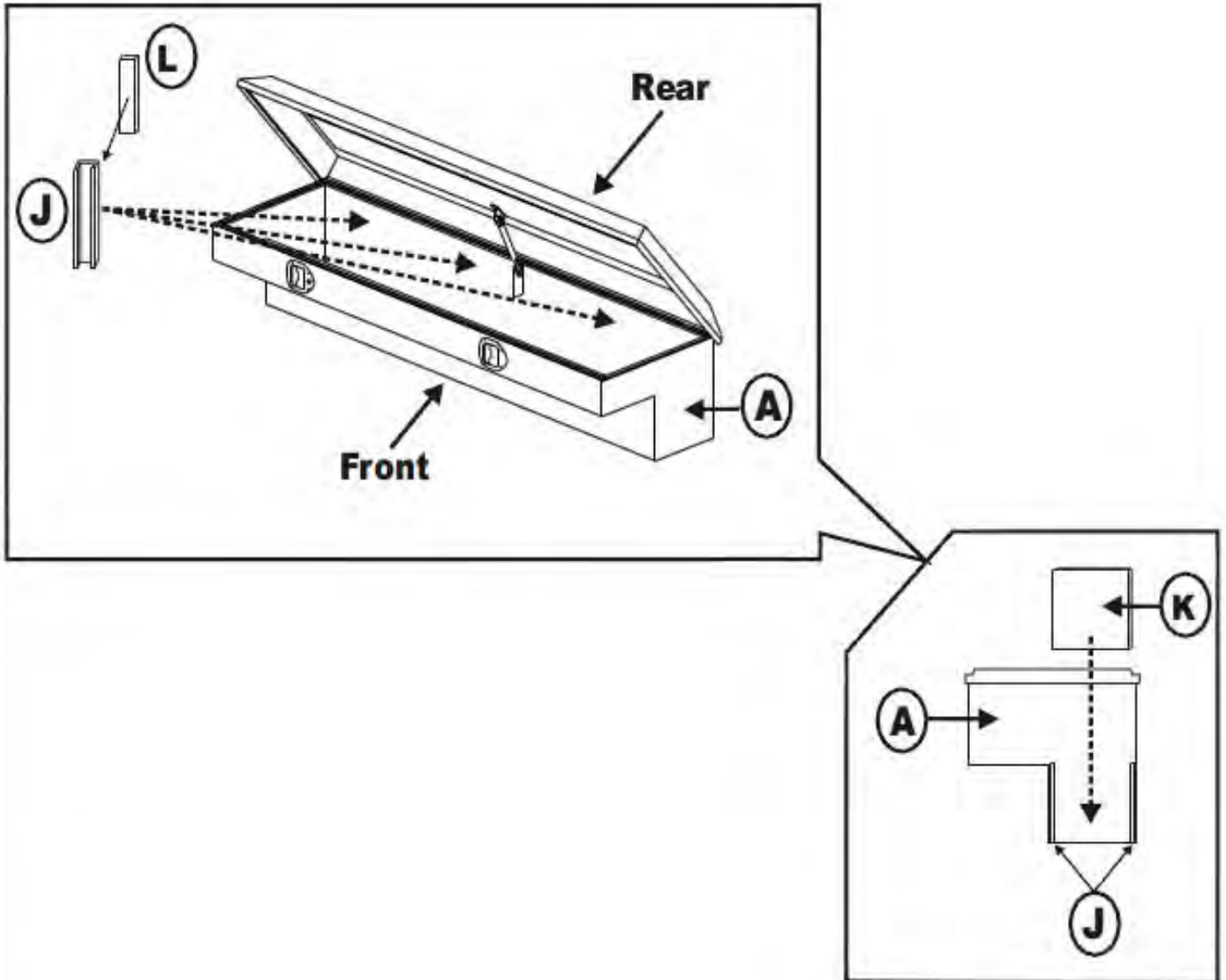
Now use the two existing holes in the top of mounting bracket (B) as a guide to drill two 1/4" hole through the bottom of toolbox (A). Secure the top of mounting bracket (B) to the side mount toolbox using a 1/4 x 1" Hex cap screw (G), 1/4" flat washer (D), and 1/4" hex nut (H). Tighten into place using a 7/16" wrench / or socket.



7

Optional: Britetread side mount toolbox (A) - Divider installation instructions

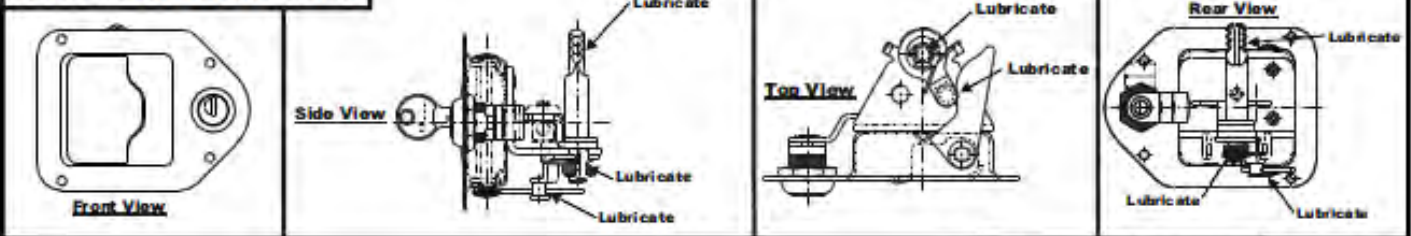
Peel the backing off of each piece of CO-Tape (L) and then place the CO-Tape pieces (L) onto the back of each TB-Channel (J) as shown below. Now determine exactly where you would like to place the toolbox dividers. Note: There are only three TB-dividers (K) supplied with the britetread side mount toolbox (A). Mark out the locations for each TB-Channel (J) in the britetread side mount toolbox (A) and then stick the TB-Channels (J) onto these locations. Note: You should place a TB-channel (J) at each marked location at both the front and back of the britetread side mount toolbox (A) to allow the TB-divider (K) to slide into place. Now slide a TB-divider (K) into the TB-Channel (J) at each location.



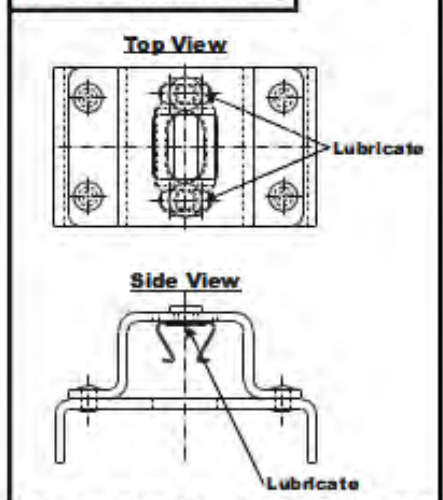
MAINTENANCE INSTRUCTIONS: All locks, latches, latching rods, and hinges should be lubricated regularly to assure smooth and proper operation for the life of the toolbox.

INSTRUCTIONS D'Entretien: Toutes les serrures, verrous, verrouillant des tiges, et des charnières devraient être lubrifiées régulièrement pour assurer l'exécution sans heurt et appropriée pendant la vie de la boîte à outils.

Toolbox Paddle Latch Assembly



Toolbox Catch Assembly



Ever lose your keys? Save Yourself Time and Trouble?

Order some extra keys now and have them when you need them. Please fill out and mail this portion to us. We'll send you a couple of extra keys for your Tool Box for just \$11.00 (American).

Name: _____

Day Phone: _____ - _____ - _____

Address: _____

Method of Payment:

- Cash, Check, or Money Order
- Master Card
- Visa

City, State, Zip: _____

Expiration Date: _____

KEY and LOCK#: _____

Card Number: _____

Please mail form and payment to : Dee Zee, Inc.
 OR P.O. Box 3090
 Fax to: 515-265-7926 Des Moines, IA 50316

CLEANING INSTRUCTIONS: To maintain the luster of your tool box, use a mild detergent.

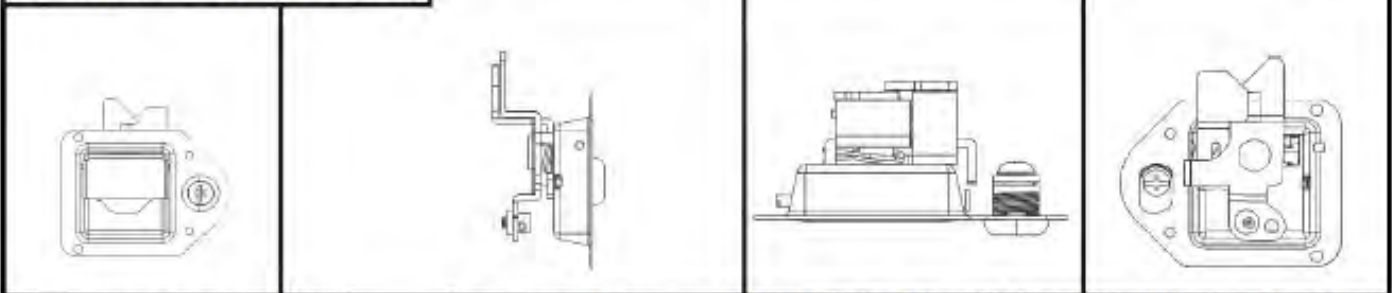
**Locks are provided as a deterrent to inadvertent opening or easy access to the contents of your toolbox. Contents stored in the toolbox are the responsibility of the user.

After drilling, it is recommended that a sealant or rust inhibitor be placed around all holes drilled into the body panel of the vehicle.

If you should incur any problems with the installation of this product, please feel free to call us at 1-800-779-8222. So that we may better serve you when you call, please have the W/O#, SEQUENCE#, and the DATE from the label on the outside of the box.

Replacement Parts for Side Mount Toolbox

Toolbox Hook-Paddle Latch Assembly



Toolbox Hook-Catch Assembly



Nylon Standoff Part Number: PN 860



Pushbutton - Blue Series

Spacer Brace for Push Button Part Number: B 1623



Adjustable Latch Part Number: B 1610



Carburetor Clip 7R Part Number: LCC-2



Mounting Bracket Part Number: B 1625



Shock Mount Part Number: SL-69



Nylon Bushing Part Number: PN 116



5/16-18 Nylon Insert Locknut Part Number: PN 510



10 x 1/4 Square Pan Self Drill Part Number: PN 872



Push Latch Part Number: TB 85623



Rotary Latch Part Number: TB 85624

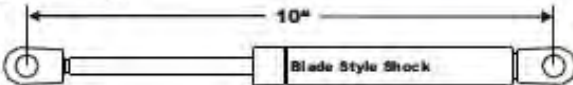
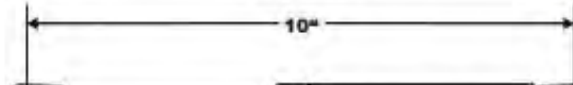
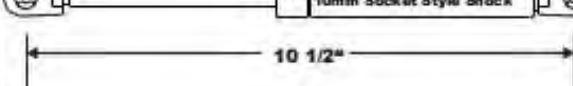
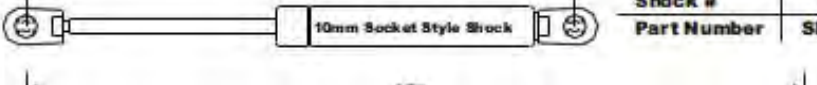


Rod End Adaptor Part Number: TB 85626

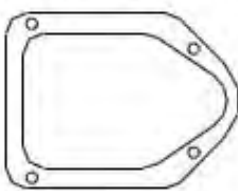


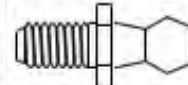



Replacement Parts for Side Mount Toolbox Cont.

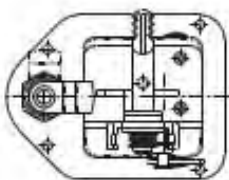
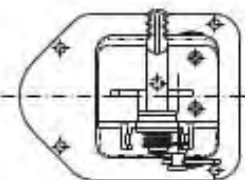


Shocks

 <p>10"</p> <p>Blade Style Shock</p>	Blade Style Shock					
	Shock #	20#	40#	70#		
	Part Number	SL1-20	SL1-40	SL1-70		
 <p>10"</p> <p>10mm Socket Style Shock</p>	10mm Socket Style Shock					
	Shock #	20#	40#	70#		
	Part Number	SL-3020	SL-3040	SL-3070		
 <p>10 1/2"</p> <p>10mm Socket Style Shock</p>	10mm Socket Style Shock					
	Shock #	20#	40#	60#	80#	100#
	Part Number	SL-3220	SL-3240D	SL-3260D	SL-3280D	SL-32100D
 <p>15"</p> <p>10mm Socket Style Shock</p>	10MM Socket Style "Long" Style Shock					
	Shock #	90#	40#			
	Part Number	SL-3390	SL-3340			

Miscellaneous Parts

Foam Latch Gasket Part Number: TB85409 	Shock Clip Part Number: SL-81 	Striker Assembly Part Number: TB85616 	Shock Mount Nut Part Number: PN 301 	Latch Cover Rivet Part Number: PN 285 
	Shock Mount Part Number: SL-69 			Latch Rivet Part Number: PN 157 
				Hinge Rivet Part Number: PN 762 

Rod Clip Part Number: LCC-1 	Rod Guide Part Number: TB85615 	1/4" Flat Washer Part Number: PN 72B Black 	1/4 x 1" Sheet Metal Screw Part Number: PN 97B Black 	1/4 x 1" Sheet Metal Screw Part Number: PN 97 	1/4 x 1" Bottom Head Screw Part Number: PN 96B 
	1/4" Locknut Part Number: PN 341B 	Mounting Bracket Part Number: TBTRACE1 	Divider Mounting Channel Part Number: TB-Channel 	Toolbox Divider Part Number: TB-Divider 	Toolbox Divider Tape Part Number: CO-Tape 

Rear View: Locking Latch Part Number: TB85613 	Rear View: Non-Locking Latch Part Number: TB85614 	Rear View: Locking Hook Part Number: Tb85608 	Rear View: Non-Locking Hook Part Number: Tb85608 
--	--	---	---

Ordering Replacement Parts:

Ordering replacement parts for your toolbox is fast, convenient, and easy. Just call our customer service phone number at 1-800-779-2102 for pricing and ordering information. Please provide the customer service representative with the part number from the above parts list.