



Installation Instructions: MF3 & MF4

FORD RANGER

5' & 6' BED LENGTHS

2019-CURRENT

TOOLS REQUIRED

- Adjustable wrench (that opens to about 1")
- 1/2" open end wrench
- #2 Phillips screwdriver
- 1/4" drive ratchet
- 3/8" socket
- Electric drill
- 9/64" drill bit
- Drill stop
- Torx 40 driver
- 7/16" deep socket
- Short 7/32" Allen wrench

Watch short installation videos at www.decked.com/video | Register your system at www.decked.com/warranty

FOLLOW US:      @DECKEDUSA | #DECKEDUSA

VERSION 1

DECKED.COM | 208.806.0251

CONTENTS

DECKED carton

- LEFT deck half - 1
- RIGHT deck half - 1
- Center vert - 1
- Cabside vert - 1
- Drawer - 2
- Left ammo can - 1
- Right ammo can - 1
- Left stud - 1
- Right stud - 1
- Ammo can lid - 2
- C-channel - 2
- Ruler - 1
- Hardware box - 1
- Bottle opener - 1
- Torsion brace - 1

Hardware box - unbagged components

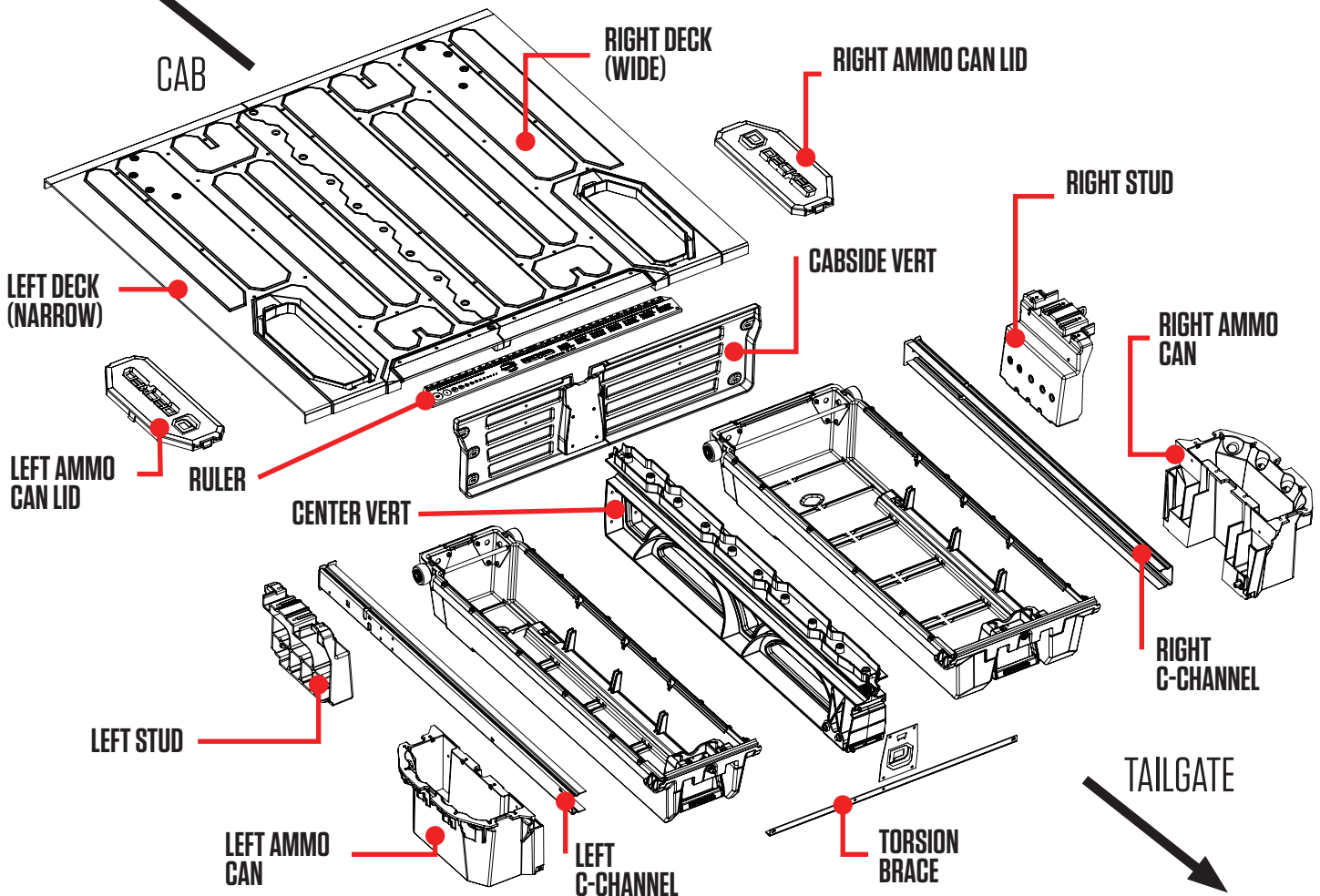
(inside DECKED carton):



HARDWARE box - bagged components

- PREP-MF3/MF4 - 1
- S1 - 1
- S2 - 1
- N1 - 1
- J6 - 2
- DRAWER 1 - 1
- DRAWER 2 - 1
- WHEELS - 1
- FINAL MID - 1
- PREP-EXTRA - 1
- MS WASHERS - 1

ASSEMBLY OVERVIEW



▼ HEY! TORQUE BOY: READ BEFORE YOU INSTALL DECKED ▼

1. **DON'T** be an idiot read the instructions.
2. **DON'T** over tighten bolts, get em' hand-tight.
3. **DON'T** use power tools.
4. If you don't follow directions and *do* use power tools:
 - 1). Set clutch at a very low setting. 2). If you blow it, see NOTE.*
5. Start all bolts with fingers to avoid cross-threading
6. **DON'T** over tighten J-hooks during installation. Make 'em good and snug enough to keep the system from moving in the bed.
7. Nice job if you're still reading .

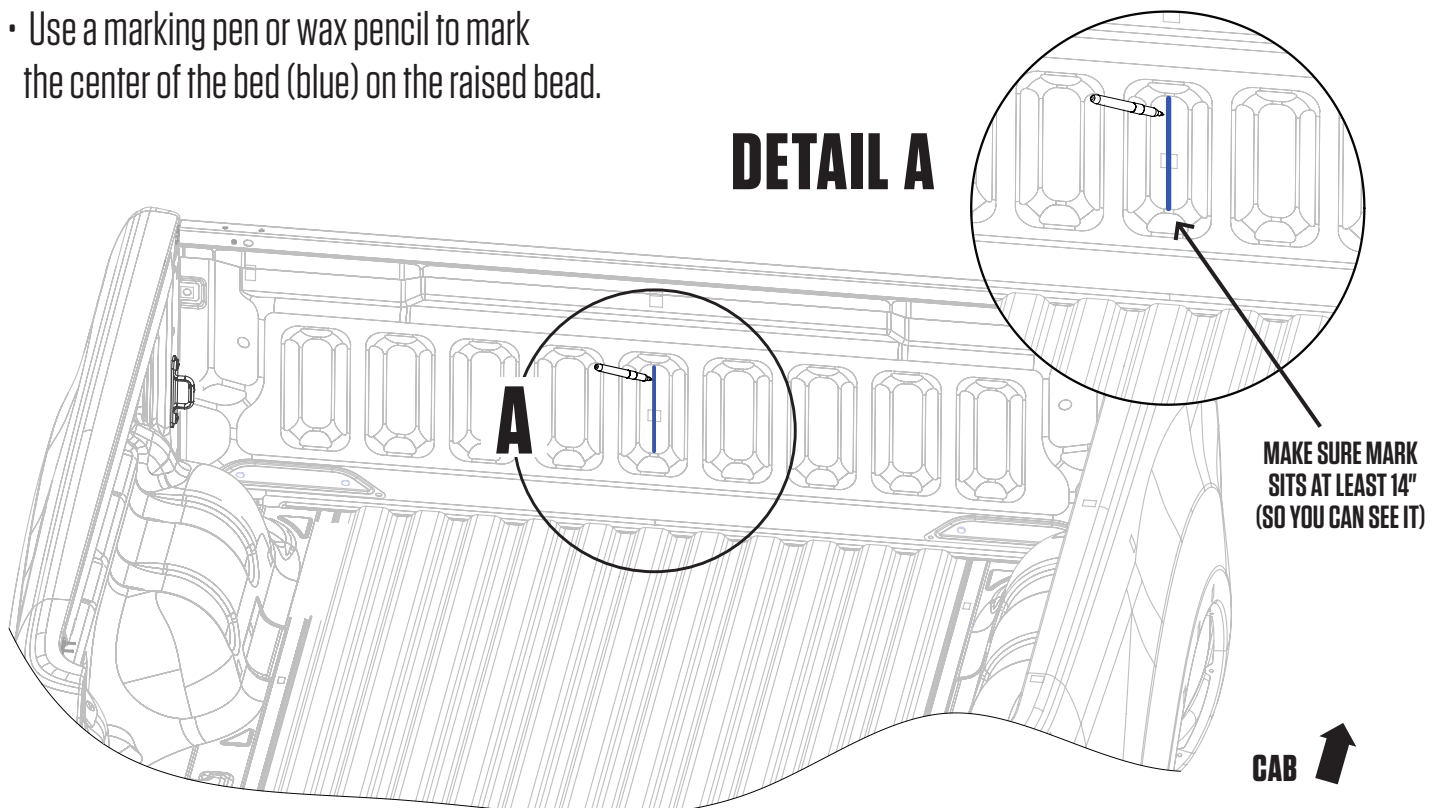
NOTE* Two extra threaded inserts are included in **BAG PREP-EXTRA**. That's all you get. The inserts will replace any stripped inserts in the tailgate ammo cans, but **NOT THE CENTER VERT**, so hand tighten until snug only! You can also screw the inserts back in if dislocated. There is a straight screwdriver slot on the underside of the insert.

Prevent abusive, expletive-filled language, watch our detailed installation video or give us a call. We're happy to help!

208.806.0251 | DECKED.COM/INSTALLVIDEO

PREP BED: MARK CENTER OF BED

- Use a marking pen or wax pencil to mark the center of the bed (blue) on the raised bead.

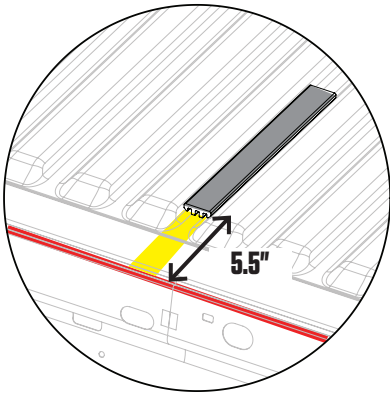


PREP BED: SHIMS

- **2 WIDE SHIMS** and **1 NARROW SHIM** loose in your hardware kit.
- Using the information below:
 - 1) Clean the bed surface where the shims will be located. Isopropyl alcohol is recommended.
 - 2) Remove tape film and apply shim with pressure.

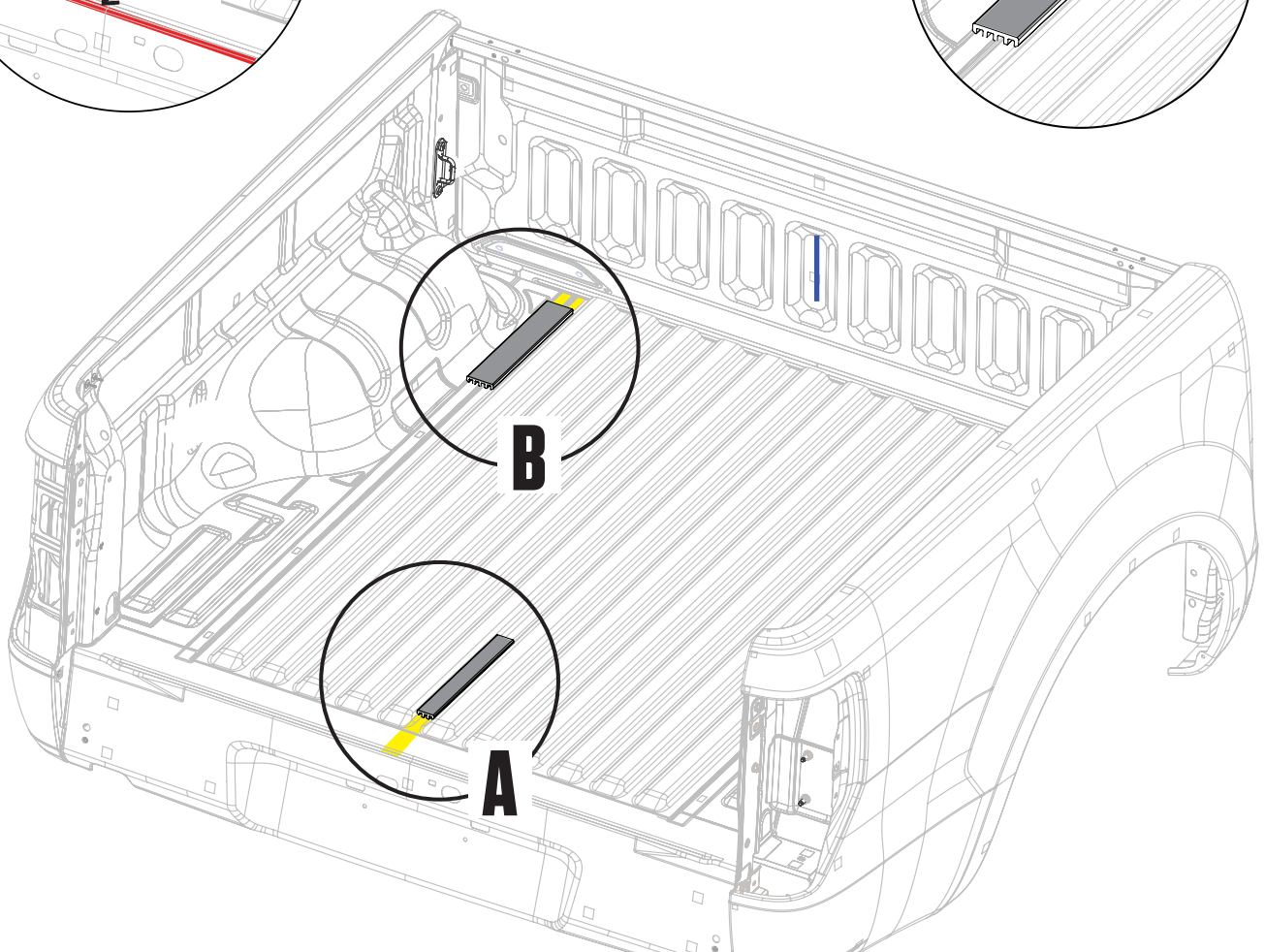
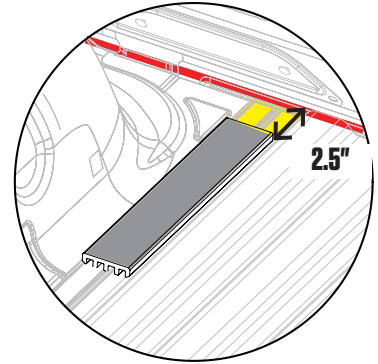
DETAIL A

Align narrow shim to channel in floor as shown 5.5" from rear of bed (red).



DETAIL B

Align shim 2.5" from cabside panel (red) as shown. Repeat on right side of bed.

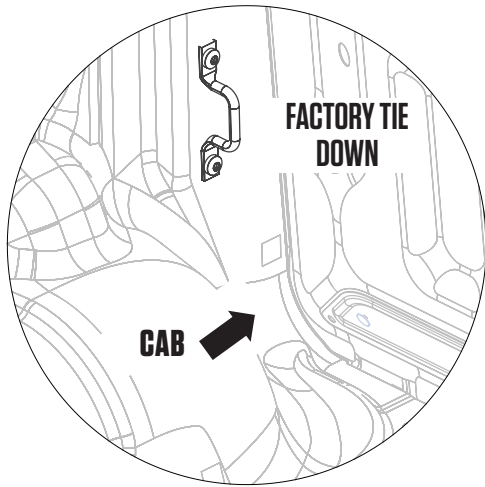


PREP BED: CABSIDE BRACKETS

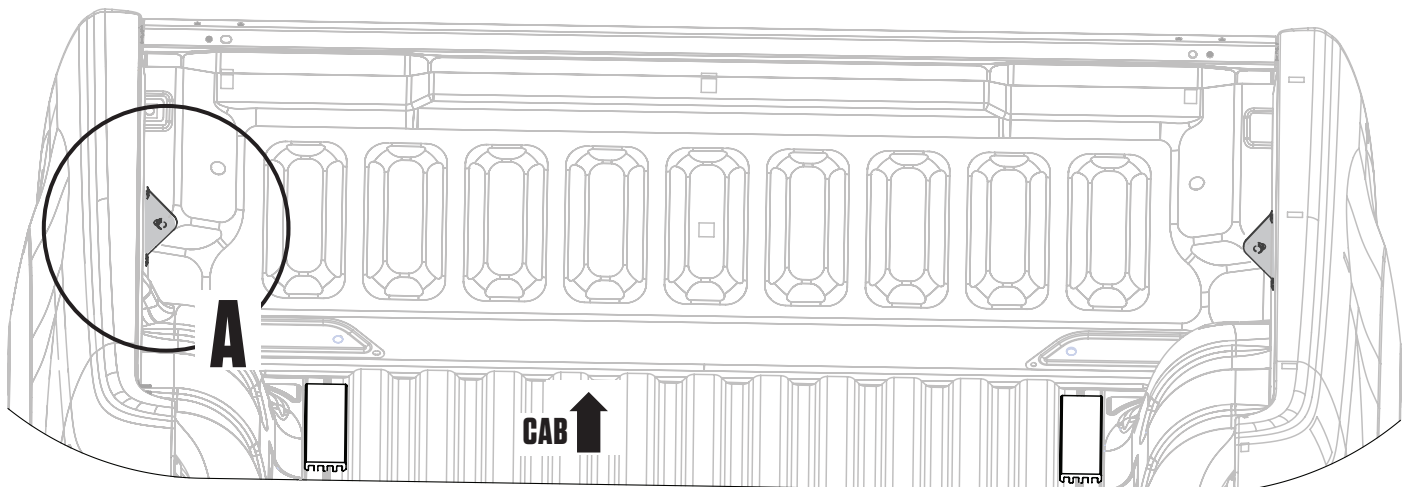
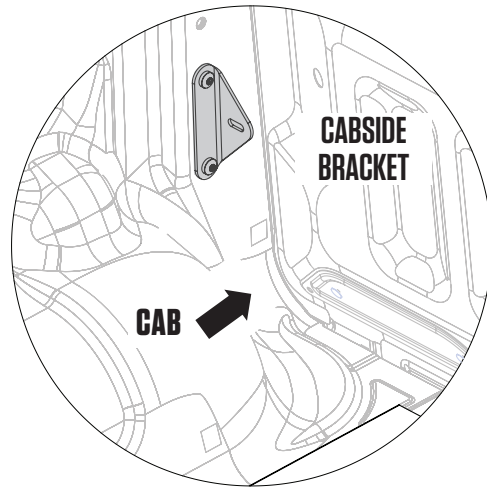
- Remove cabside factory tie down with Torx 40 driver. Keep factory bolts.
- Securely attach cabside bracket using factory bolts. Orient as shown in **DETAIL A INSTALLED**.
BAG PREP-MF3/MF4.
- Repeat other side.

RECOMMENDED TORQUE:
For retightening factory bolts - 11 ft-lb.

DETAIL A



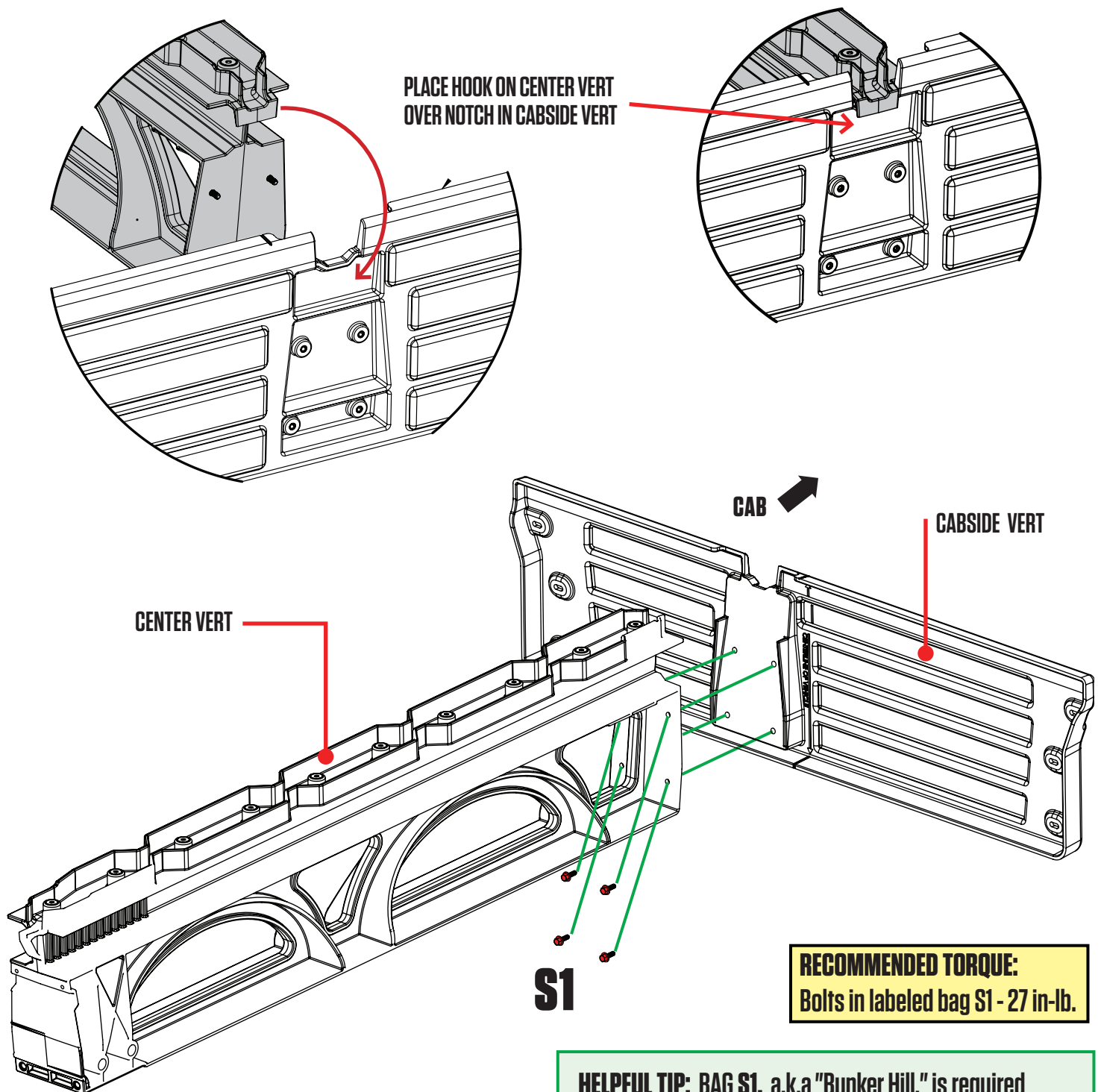
DETAIL A INSTALLED



ASSEMBLY: CENTER VERT + CABSIDE VERT

NOTE: Perform the next few steps on a flat surface like a garage floor.

- Attach center vert to cabside vert with four bolts. Alternate to tighten; BAG S1.

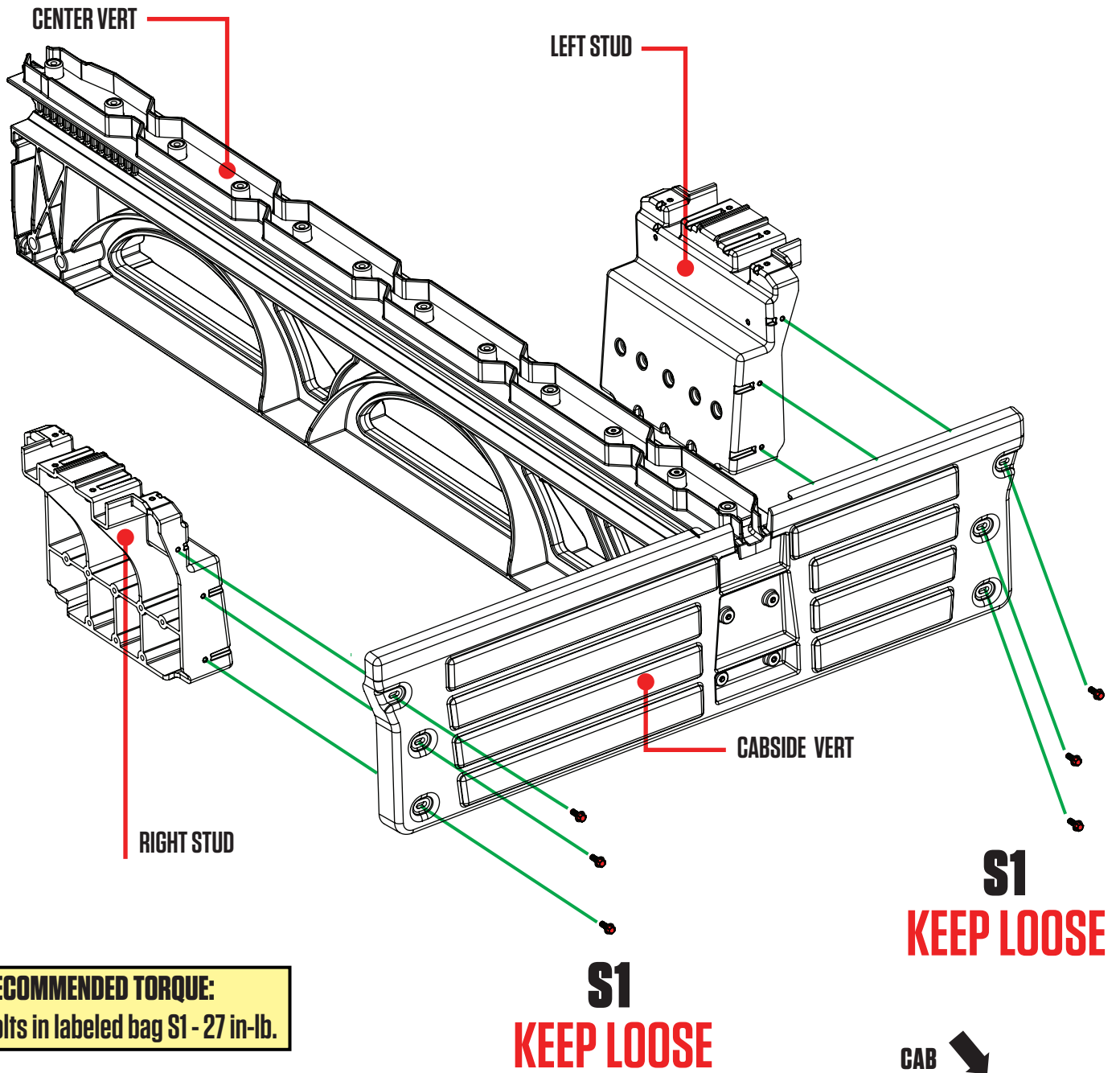


RECOMMENDED TORQUE:
Bolts in labeled bag S1 - 27 in-lb.

HELPFUL TIP: BAG S1, a.k.a "Bunker Hill," is required for most of the steps, so keep it close! These bolts are highlighted throughout instructions in **RED**.

ASSEMBLY: LOOSELY ATTACH STUDS

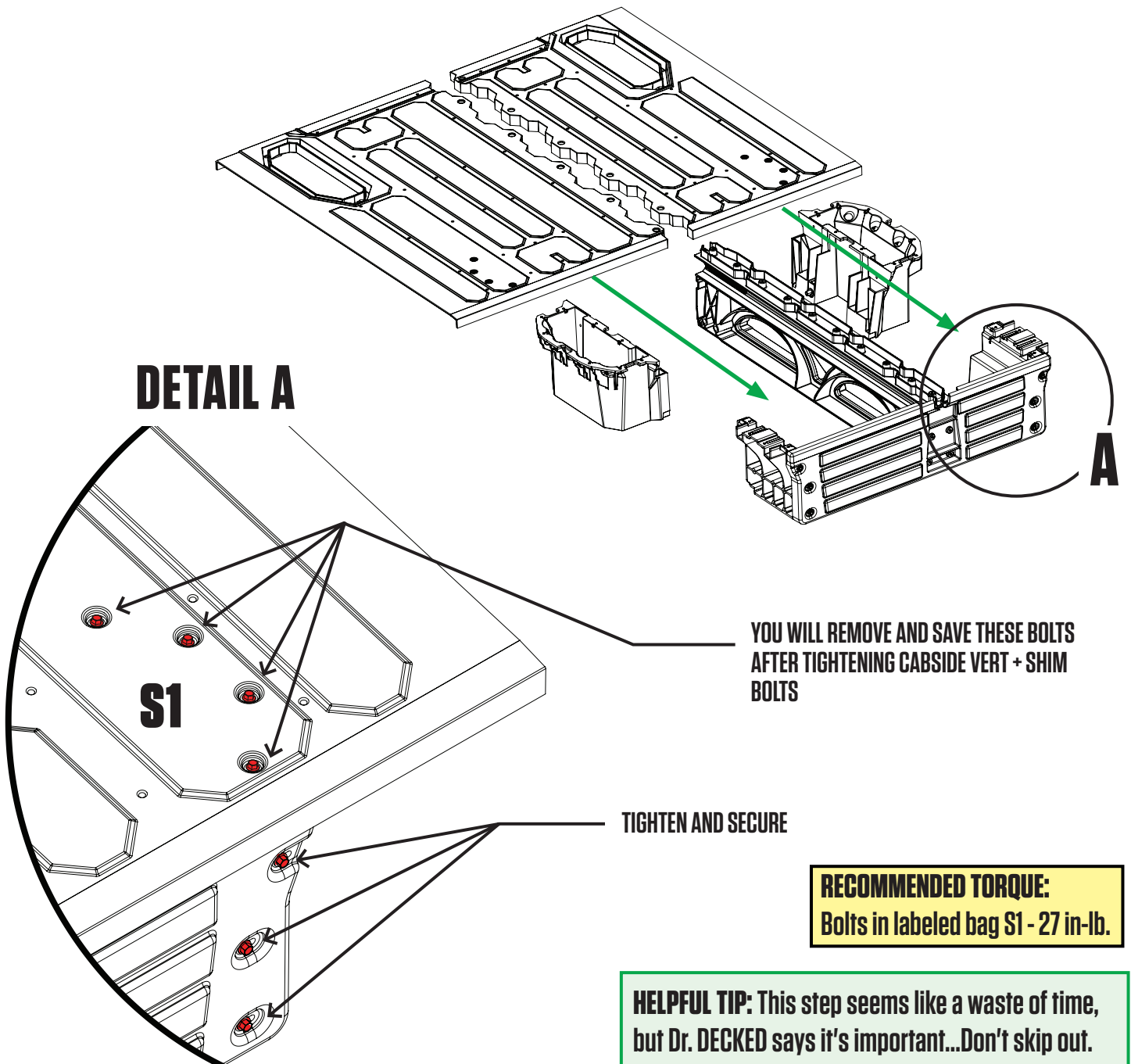
- **LOOSELY** attach studs to cabside vert with six bolts; BAG S1.



ASSEMBLY: ALIGN & TIGHTEN STUDS

NOTE: This step ensures the studs are properly located before tightening bolts. It's important.

- Place ammo cans to support tailgate end of deck panels.
- Lift deck panels on center vert + stud + cabside vert assembly.
- Slide studs around L-R until deck panels are seated.
- **DETAIL A:** Loosely secure four bolts to hold decks onto studs; **BAG S1.**
- Now you can securely tighten the bolts that hold the studs to the cabside vert.
- Unbolt deck from studs, remove deck panels, save bolts, remove ammo cans and set aside for later assembly.

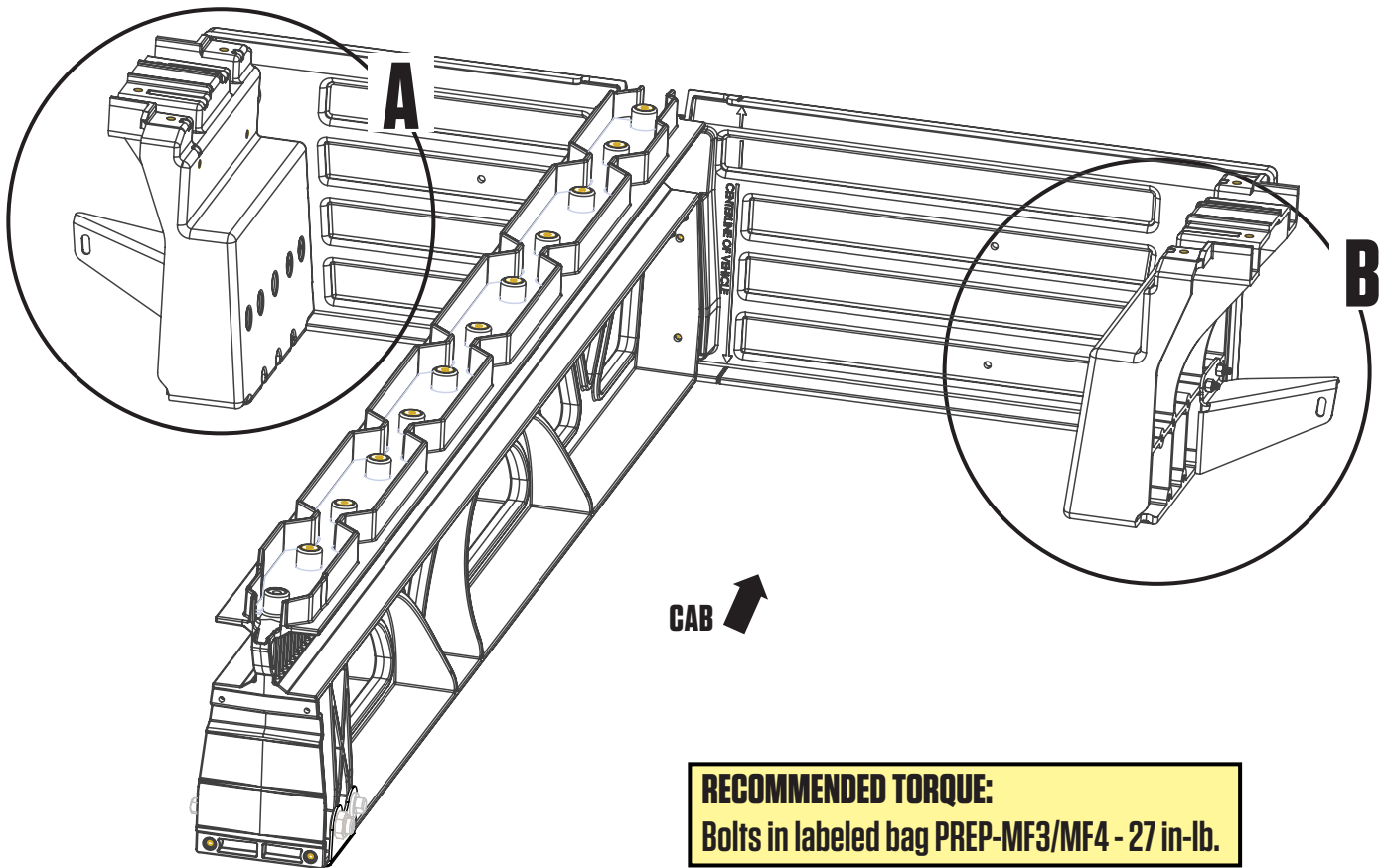
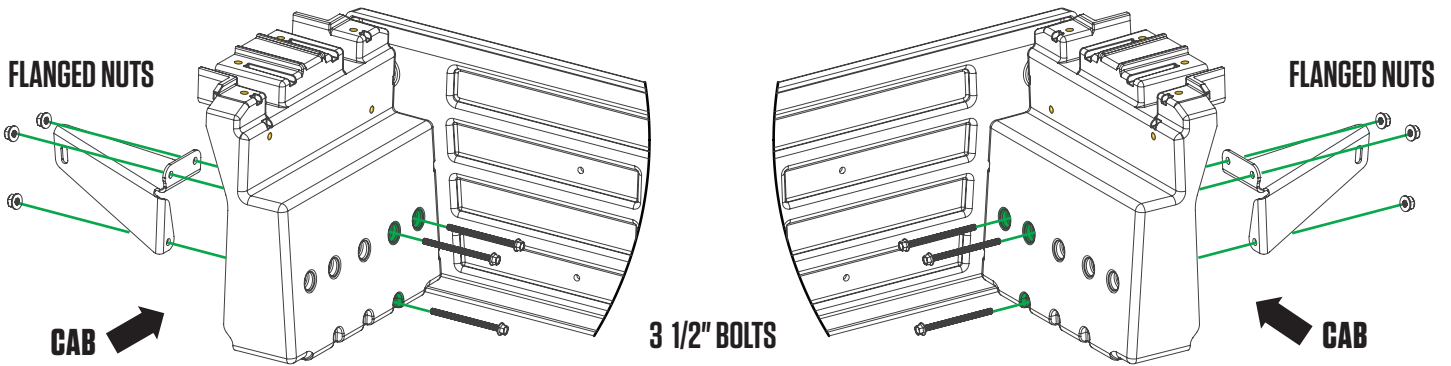


ASSEMBLY: STUD BRACKETS

- **DETAIL A:** Securely attach left stud bracket to left stud using three 3 1/2" length bolts and flanged nut in holes shown; BAG PREP-MF3/MF4.
- **DETAIL B:** Securely attach right stud bracket to right stud using three 3 1/2" length bolts and flanged nut; BAG PREP-MF3/MF4.

DETAIL A

DETAIL B



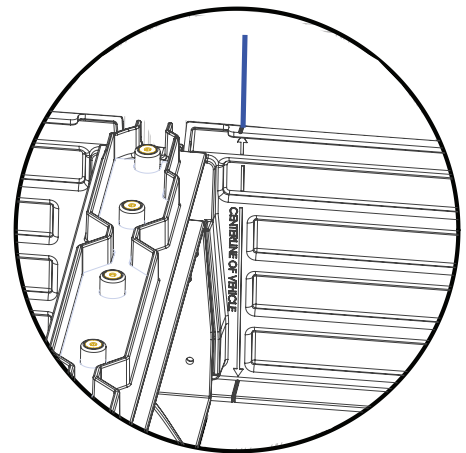
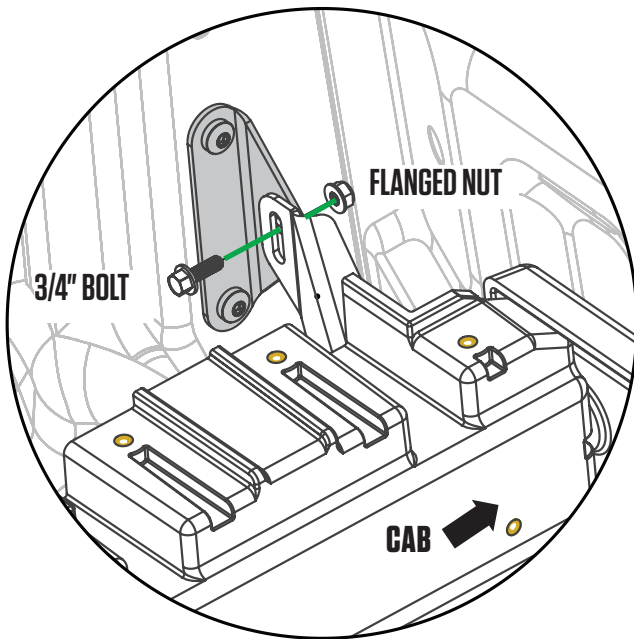
RECOMMENDED TORQUE:
Bolts in labeled bag PREP-MF3/MF4 - 27 in-lb.

INSTALL: MOUNTING + CABSIDE ATTACHMENT

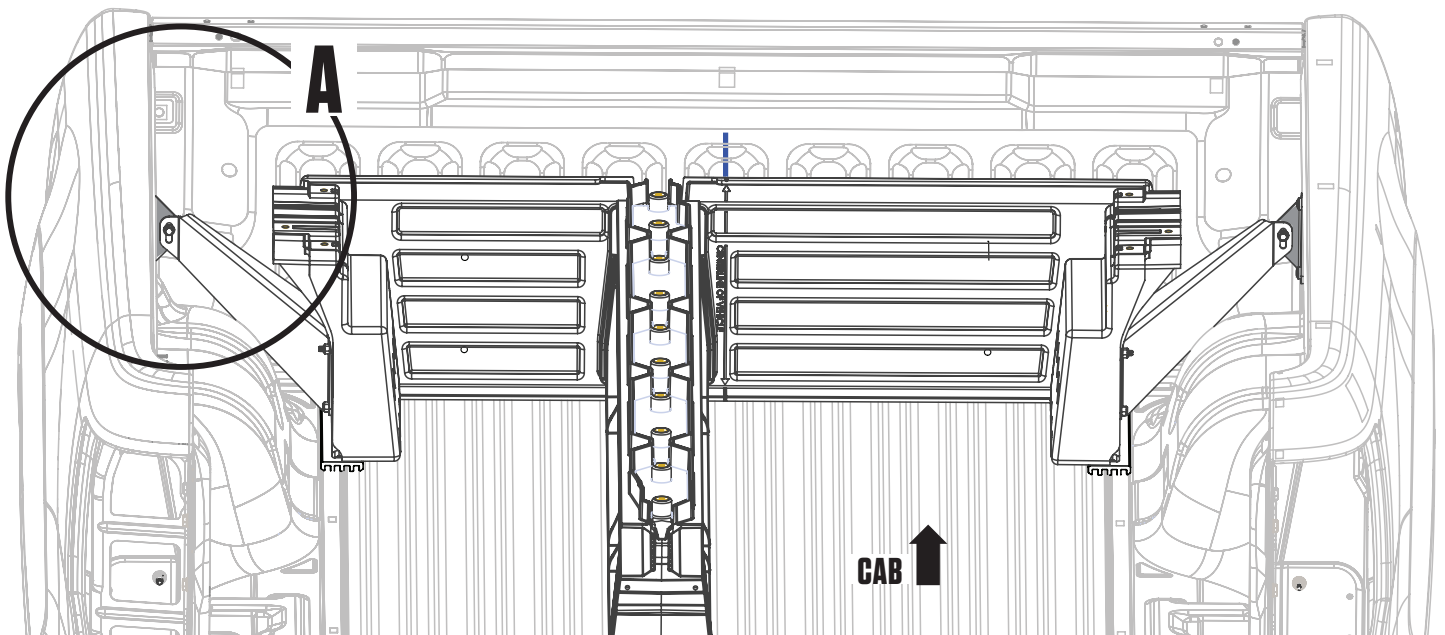
- While supporting both ends, lift center vert + stud + cabside vert assembly in truck bed. Position against cabside panel of bed with stud bracket **tailgate side** of cabside bracket.
- **DETAIL A:** Install a 3/4" length bolt and flanged nut and tighten securely; **BAG PREP-MF3/MF4.**
- Repeat other side.

RECOMMENDED TORQUE:
Bolts in labeled bag PREP-MF3/MF4 - 53 in-lb.

DETAIL A



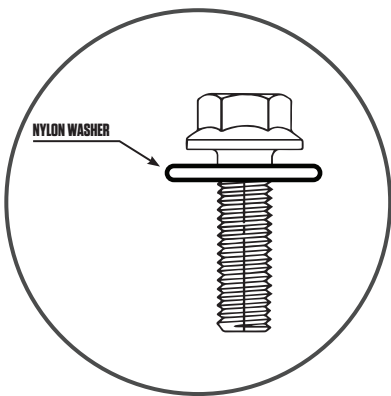
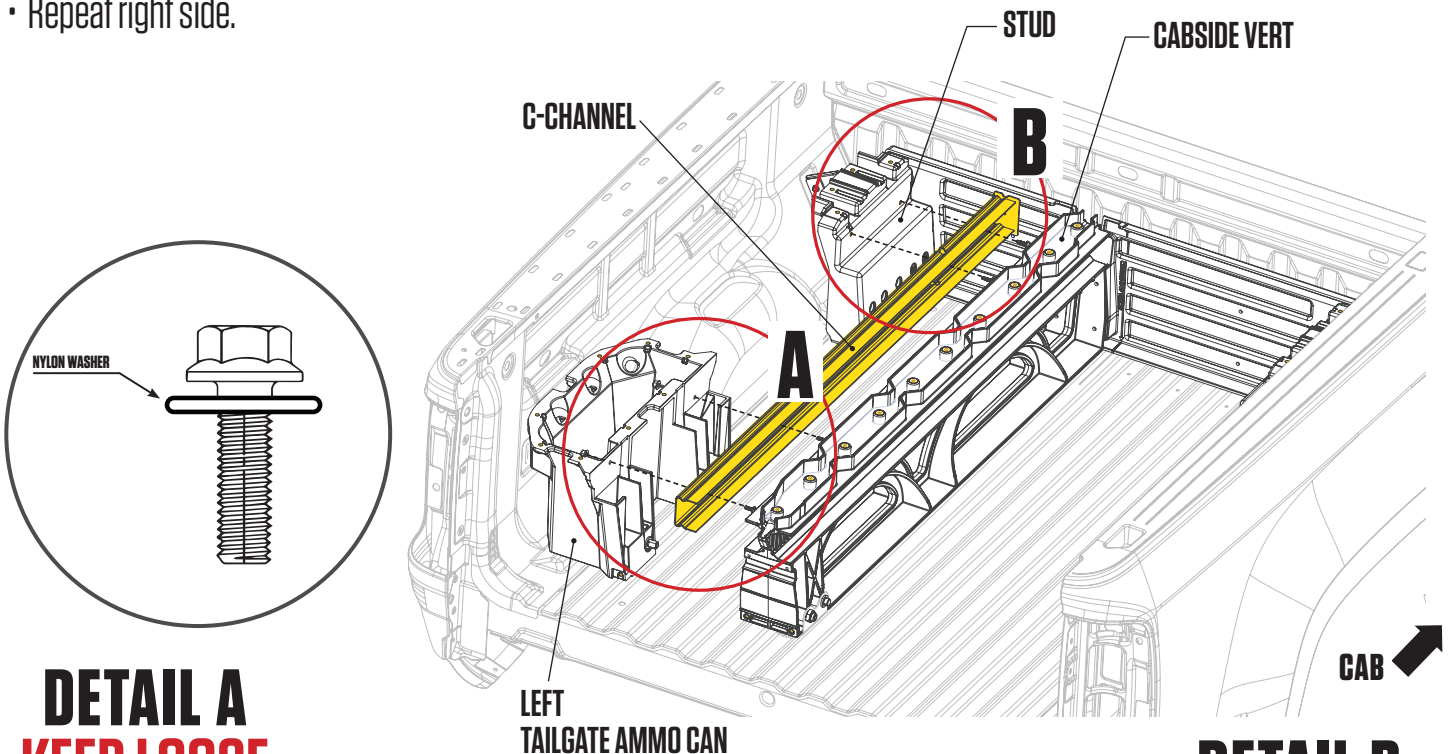
IMPORTANT: Make sure centerline arrows on cabside vert are aligned with your centerline mark (blue).



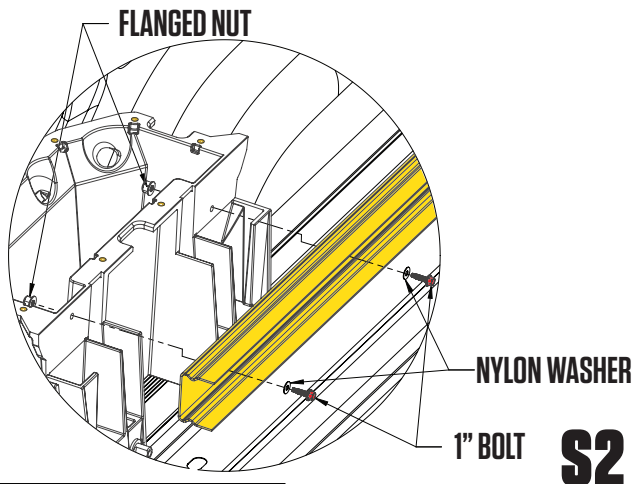
INSTALL: C CHANNELS

IMPORTANT: There is a left and right ammo can. The inside of each ammo can is marked L or R.

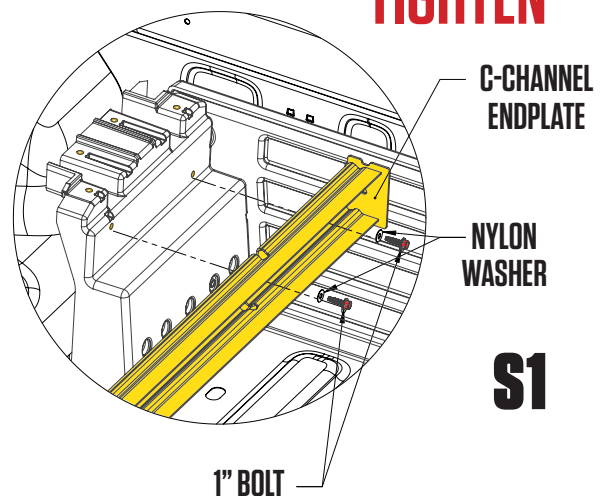
- Loosely place left side ammo can at tailgate corner of bed. The axle will be closest to you.
- Place C-channel on ledge of stud and ammo can with end plate on the stud (cabside).
- **DETAIL A:** Place nylon washer on four 1" bolts from **BAG S2**. Insert two bolts through C-channel into ammo can and loosely fasten with flanged nuts. Make sure the bolt head is on the C-channel side, not inside the ammo can; **BAG S2**, **BAG MS WASHER**, **BAG N1**. **KEEP LOOSE.**
- **DETAIL B:** Attach C-channel to stud with same bolts; **BAG S1**.
- Repeat right side.



DETAIL A
KEEP LOOSE



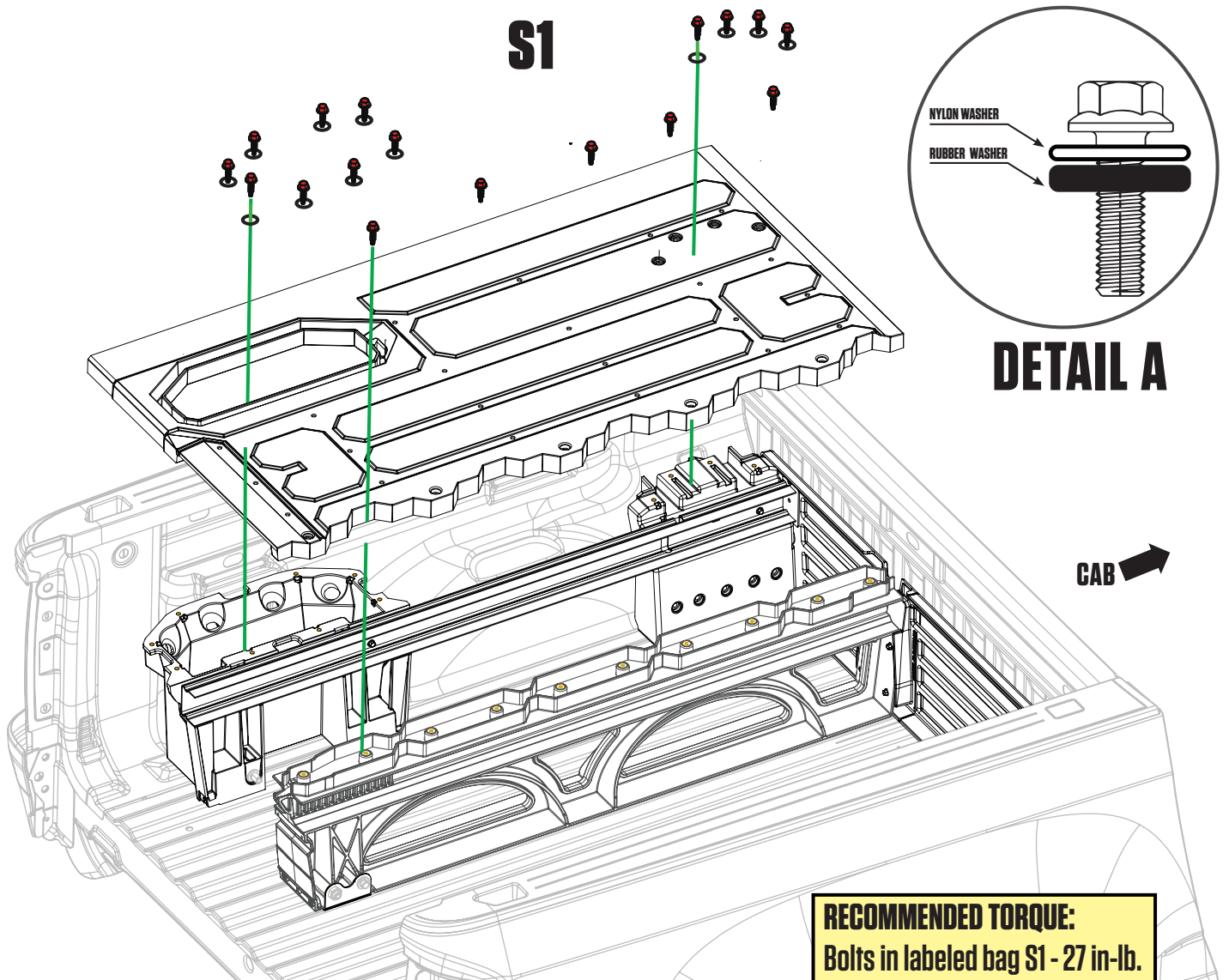
DETAIL B
TIGHTEN



RECOMMENDED TORQUE:
Bolts in labeled bag S1 - 27 in-lb.

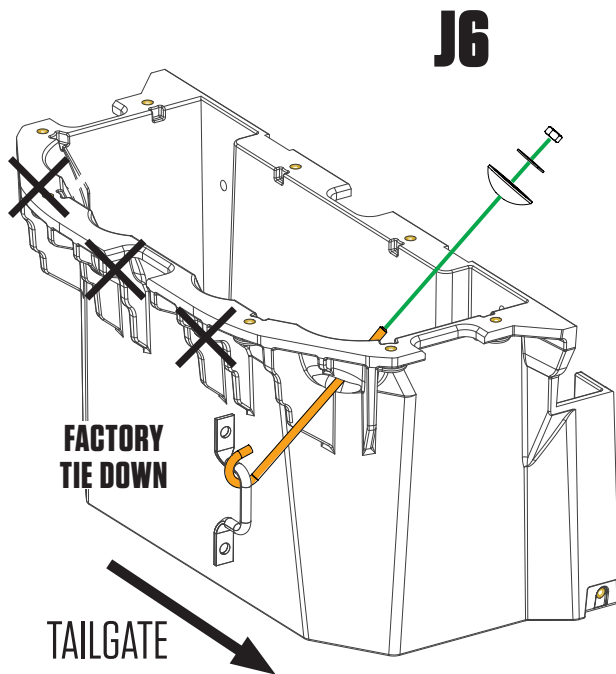
INSTALL: DECK HALVES

- Loosely place deck panel on side stud, center vert and ammo can.
- Shift ammo can forward, rearward, L-R, as necessary to align with fully seated deck panel.
- Loosely assemble:
 - Five bolts through deck panel into center vert; **BAG S1**.
 - Four bolts with nylon and rubber washers installed as shown through deck panel into stud; **BAG S1, BAG MS WASHERS**.
 - Eight bolts with nylon and rubber washers installed as shown through deck panel into ammo can; **BAG S1, BAG MS WASHERS**. Use the four nylon washers from **BAG S1** and remaining 20 nylon washers from **BAG MS WASHERS** to complete this step for both sides.
 - Tighten all **S1** bolts.
 - **Securely tighten C-Channel/ammo can nuts and bolts.**
- Repeat other side (**making sure you don't forget to securely tighten C-channel/ammo can nuts and bolts**).

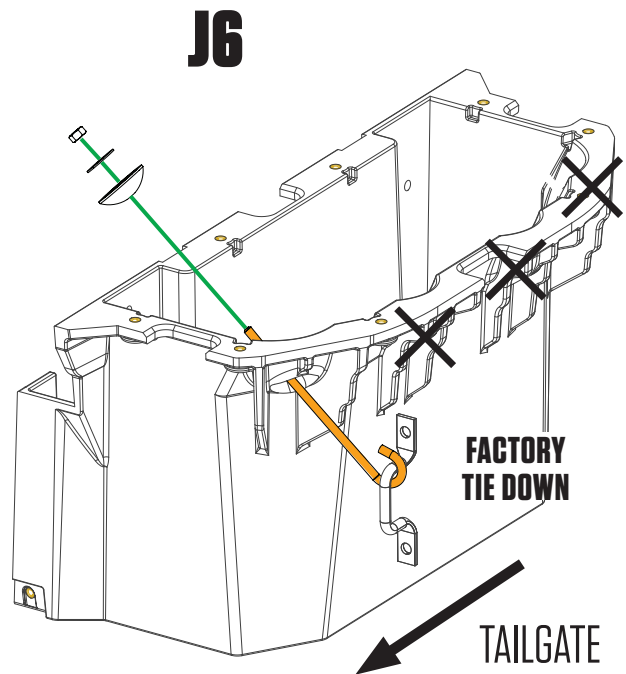


INSTALL: J-HOOKS

- **Loosely** assemble J-hook assembly in order shown through the **TAILGATE** side hole in ammo can; **BAG J6**.
- Repeat other side.



LEFT AMMO CAN
KEEP LOOSE

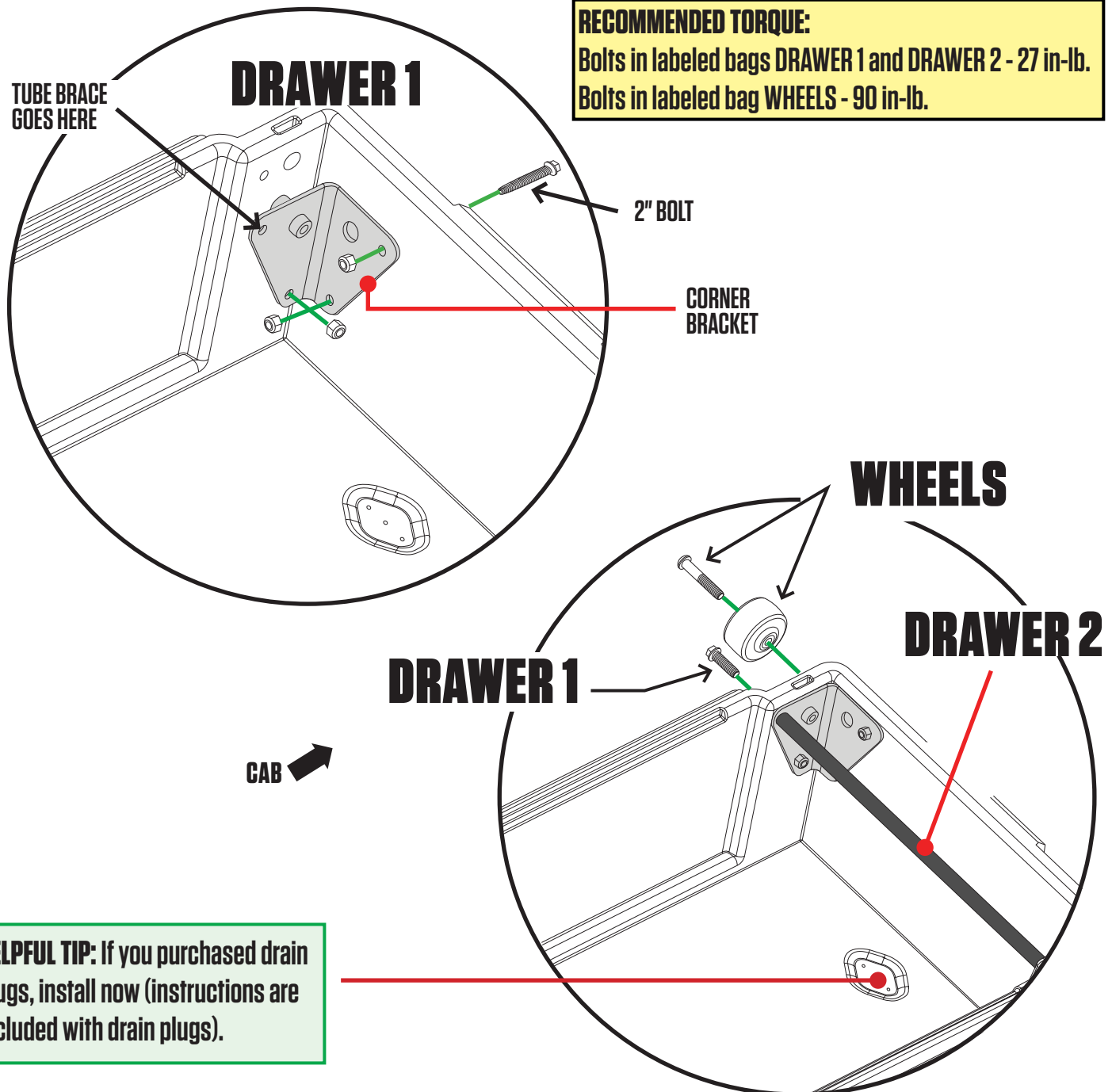


RIGHT AMMO CAN
KEEP LOOSE

DRAWERS: BRACKETS + WHEELS

- Each drawer has a left and a right bracket. Bolt brackets into place via bottom two holes in bracket with 3/4" length bolts. Use the 2" length bolt for the upper cabside wall hole in bracket; **BAG DRAWER 1.**
- Install a tube brace in each drawer with two 3/4" length bolts; **BAG DRAWER 1, BAG DRAWER 2.**
- Attach wheels onto drawer brackets with a 7/32" Allen key; **BAG WHEELS.**

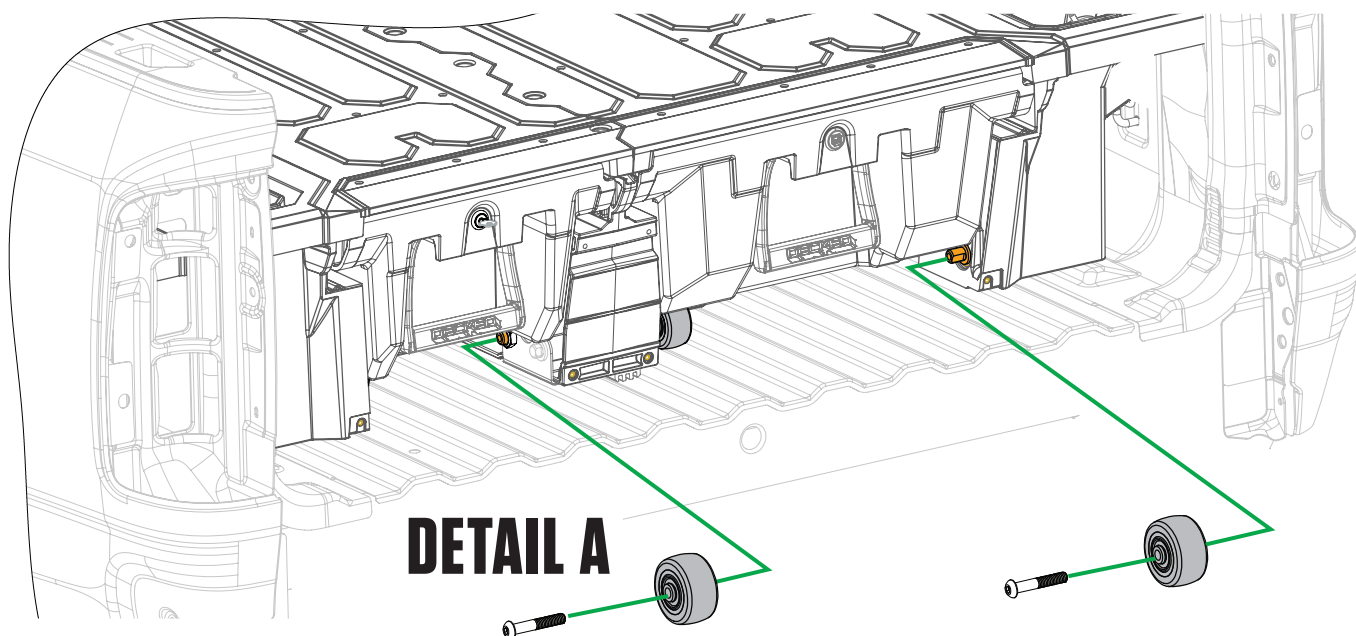
RECOMMENDED TORQUE:
Bolts in labeled bags DRAWER 1 and DRAWER 2 - 27 in-lb.
Bolts in labeled bag WHEELS - 90 in-lb.



DRAWERS: AXLE WHEELS + WEATHERSTRIPS

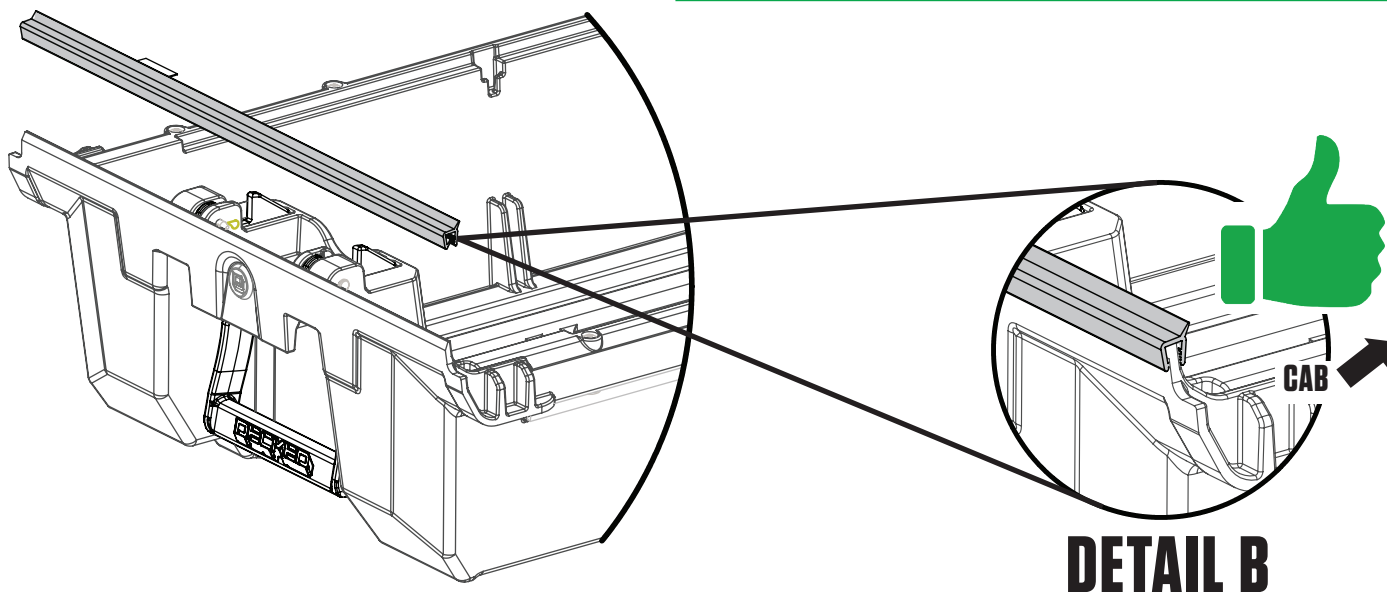
NOTE: If you jumped the gun and tightened the J-hooks when installing, loosen them.

- Slide narrow drawer into left side drawer cavity. **NOTE:** It is easier to fully install narrow drawer first.
- **DETAIL A:** Install two tailgate wheels onto narrow drawer axles with a 7/32" Allen key; **BAG WHEELS.**
- Repeat with wide drawer.
- **DETAIL B:** Install weatherstrips on top of drawer edges **WITH WIPER BLADE POINTING TOWARD DRIVER.**
IMPORTANT: Facing the weatherstrip the wrong way will funnel water into drawer: **BAD!**



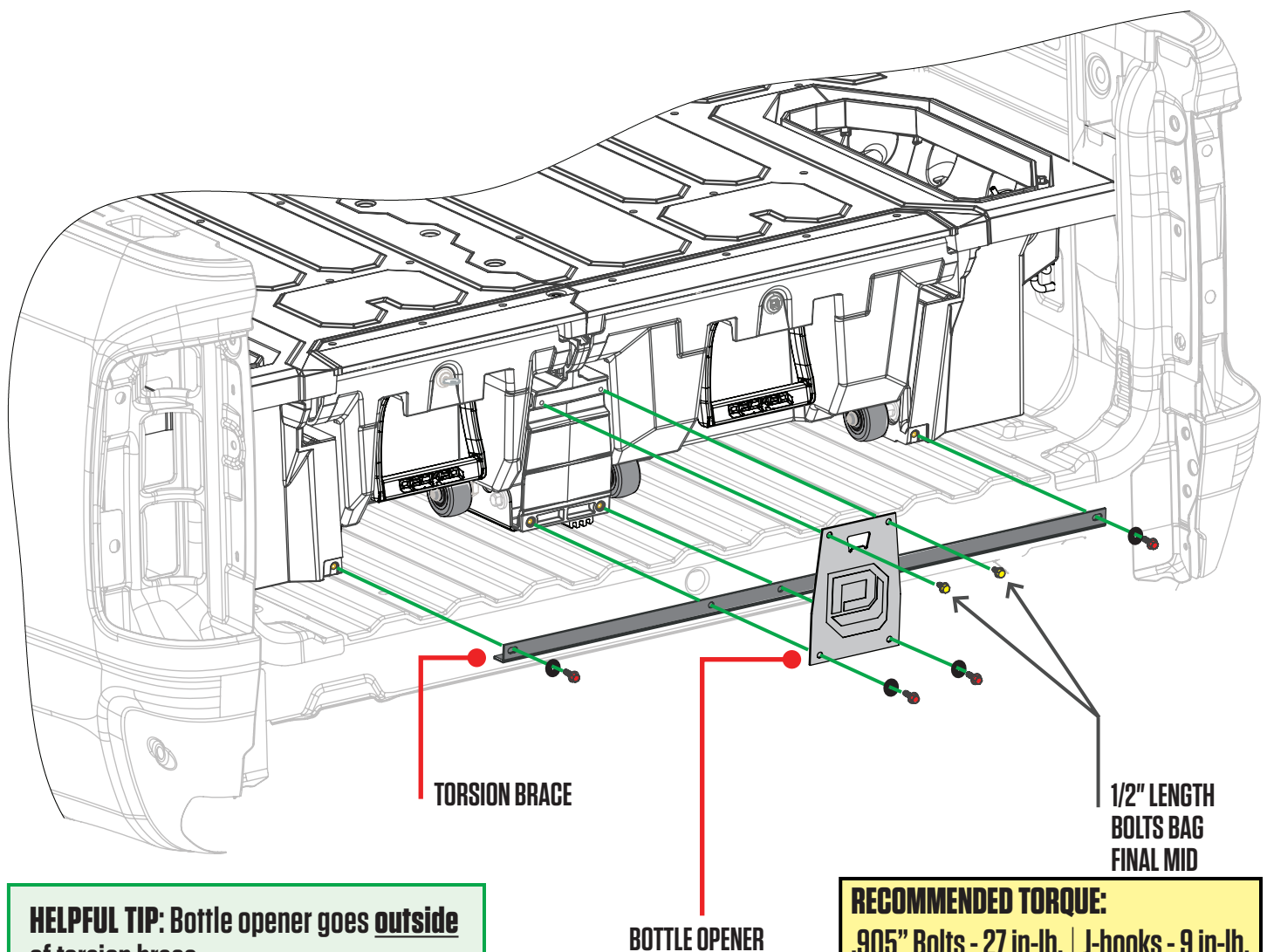
RECOMMENDED TORQUE:
Wheel bolts - 90 in-lb.

HELPFUL TIP: To make this step easier, jam a 50mm piece of material under drawer, or get your pal to pinch the drawer up to the deck to give you better leverage.



FINAL STEPS: TORSION BRACE + BOTTLE OPENER

- Slide torsion brace under center vert and tailgate ammo cans.
- Loosely install:
 - Two bolts with nylon washers through the end holes in torsion brace into ammo cans; **BAG S1.**
 - Two bolts with nylon washers through the bottom bottle opener holes and torsion brace into center vert; **BAG S1.**
 - Two 1/2" length bolts through upper holes in bottle opener into center vert; **BAG FINAL MID.**
- Align bottle opener to edges of center vert and tighten four bottle opener bolts.
- Tighten end bolts into tailgate ammo cans.
- **Finally.....Tighten the J-hooks! DO NOT OVER TIGHTEN, just make snug. Make sure the gap between the sidewall of the bed and the deck is equal on both sides.**



FINAL STEPS: THE RULER

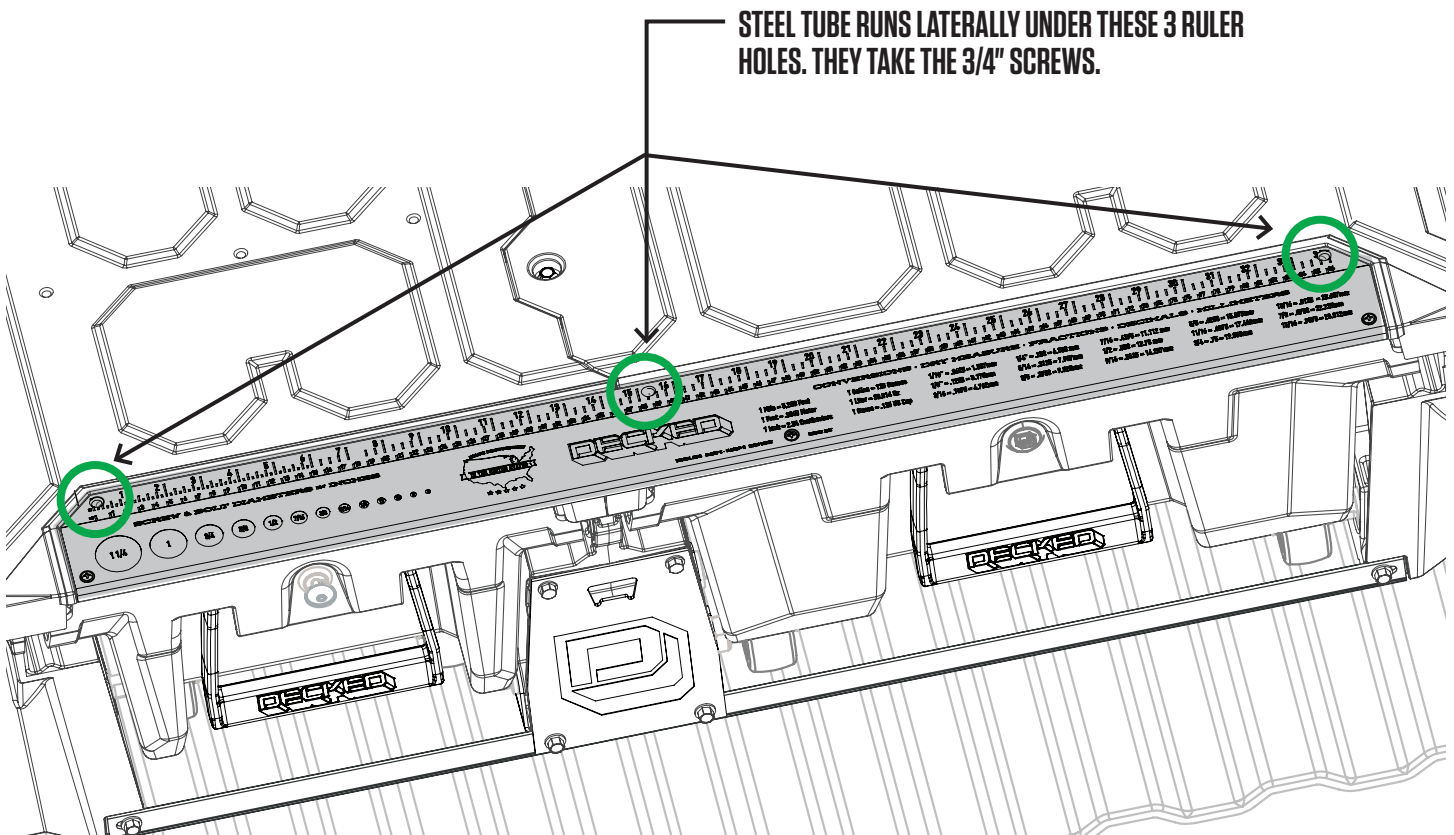
- Center ruler in embossed area and screw three 1/2" length Phillips screws through the tailgate side holes directly into deck panels; **BAG FINAL MID.**

NOTE: These are small gauge screws. Light hand tighten **ONLY.**

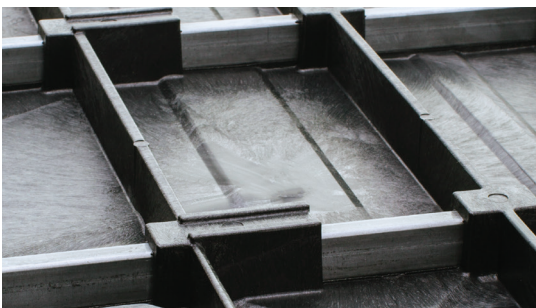
- For the three cabside ruler mounting holes, drill each with a 9/64" bit and a drill stop set to 1/2". There is a lateral steel tube that runs on the underside of the deck at this location. (SEE UNDERSIDE VIEW OF DECK).

IMPORTANT: Only drill through **TOP** of steel tube; do not drill through bottom of tube, otherwise you will funnel water into your drawers; **BAD!**

- Screw three 3/4" length Phillips screws into the cabside ruler holes you just drilled; **BAG FINAL MID.**



UNDERSIDE VIEW OF DECK



DO: Drill through the top of steel tube **ONLY.**

DO NOT: Drill through both sides of steel tube.

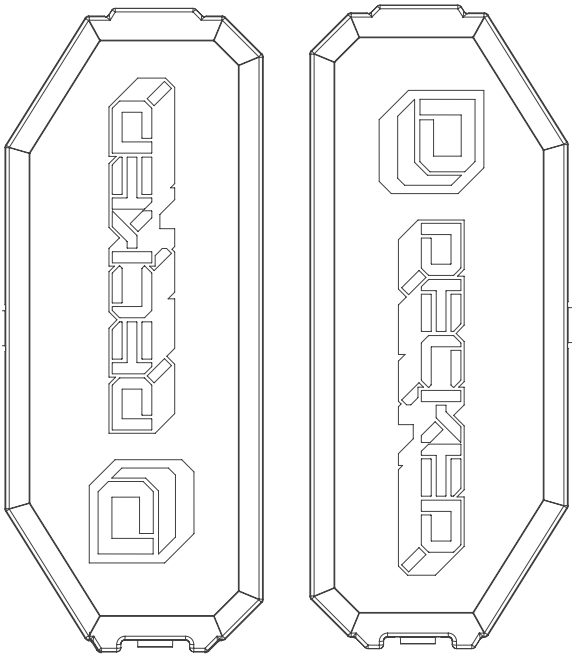


FINAL STEPS: AMMO CAN LIDS

- **DETAIL A:** Ammo can lids are left (marked L) and right (marked R) side specific.
- **DETAIL B:** Holding lid in orientation shown, insert tab on tailgate end of ammo can lid and push the cabside end of lid down to secure. Don't be afraid to push hard, it's rugged.
- Insert lock hole plugs, unless you ordered drawer locks! Install drawer locks now (instructions with locks);
BAG FINAL MID.

IMPORTANT: Grab your favorite beverage, crack 'er open in the bottle opener and christen this ship! You did it. Immediately post a photo of your significant other, child or canine (in no order of significance) appreciating your accomplishment. Add hashtag #DECKEDUSA | @DECKEDUSA.

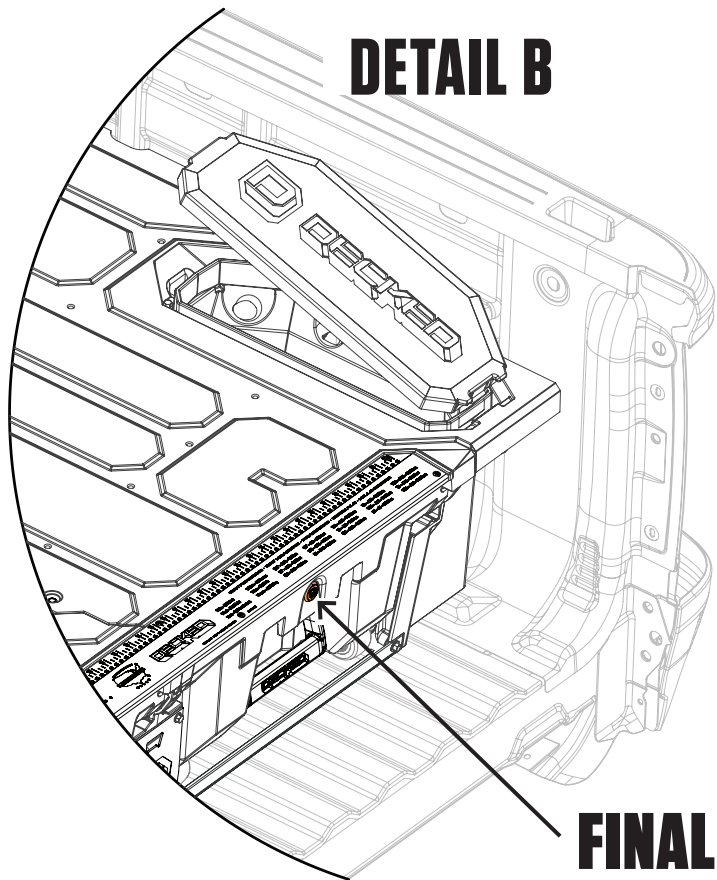
DETAIL A



LEFT AMMO
CAN LID

RIGHT AMMO
CAN LID

DETAIL B



FINAL MID

#DECKEDUSA | @DECKEDUSA

DECKED 3-YEAR LIMITED WARRANTY

(a.k.a. LEGAL MUMBO JUMBO)

DECKED LLC warrants to the original purchaser of this product that the product will be free from manufacturing defects in workmanship and materials for a period of three (3) years from the date of the original purchase. If within three (3) years from the original date of purchase this product fails due to defect in materials or workmanship, DECKED LLC will replace any defective part at its option.

The original purchaser must contact the DECKED LLC customer service team and provide a description of the defective part, including digital pictures if requested, with the original purchase documentation as validation of warranty coverage or have previously activated their warranty online.

This warranty DOES NOT cover or apply to:

- Damage to the product due to misuse, mishandling and abuse.
- Products not used in accordance with the manufacturer's instructions or recommendations.
- Product not assembled or installed according to manufacturer's instructions.
- Normal wear and tear.
- Undeclared damage to the system during shipping, acts of God. In addition, consequential damage and incidental damages (including lost time) such as damage to persons or property are not covered under this warranty.

REGISTER YOUR PRODUCT FOR ANY FUTURE WARRANTY NEEDS. [**DECKED.COM/REGISTER**](https://www.decked.com/register)

#DECKEDUSA | @DECKEDUSA