



# Installation Instructions Van: VNRA13PROM65

DODGE RAM  
**PROMASTER**  
**159" WHEELBASE**  
2014-Current

## TOOLS REQUIRED

**Adjustable wrench** (that opens to about 1"), **1/2" open end wrench**, **Phillips screwdriver**,  
**3/8" socket**, **7/16" socket**, **7/32" Allen wrench**

Watch short installation videos at [www.decked.com/video](http://www.decked.com/video) | Register your system at [www.decked.com/warranty](http://www.decked.com/warranty)

follow us:     

VERSION 1

DECKED.COM | SERVICE@DECKED.COM | 208.806.0251



## WARNING!

This product **MUST BE INSTALLED** in conjunction with a **bulkhead wall**, and/or **adequate structural framework** to prevent injury as a result of a traffic accident.

MADE IN USA

## ▼ READ BEFORE YOU INSTALL DECKED ▼

**DON'T** use power tools to assemble or install the DECKED system. Impact wrenches and other power tools can over tighten and damage components (aside from drilling drain holes in ammo cans).

**DON'T** over tighten J-hooks during installation. J-hooks need to be snug to keep system from moving around, but should NOT be cranked down.

**DON'T** over torque any bolts, particularly the bolts attaching the center vert to the deck halves.

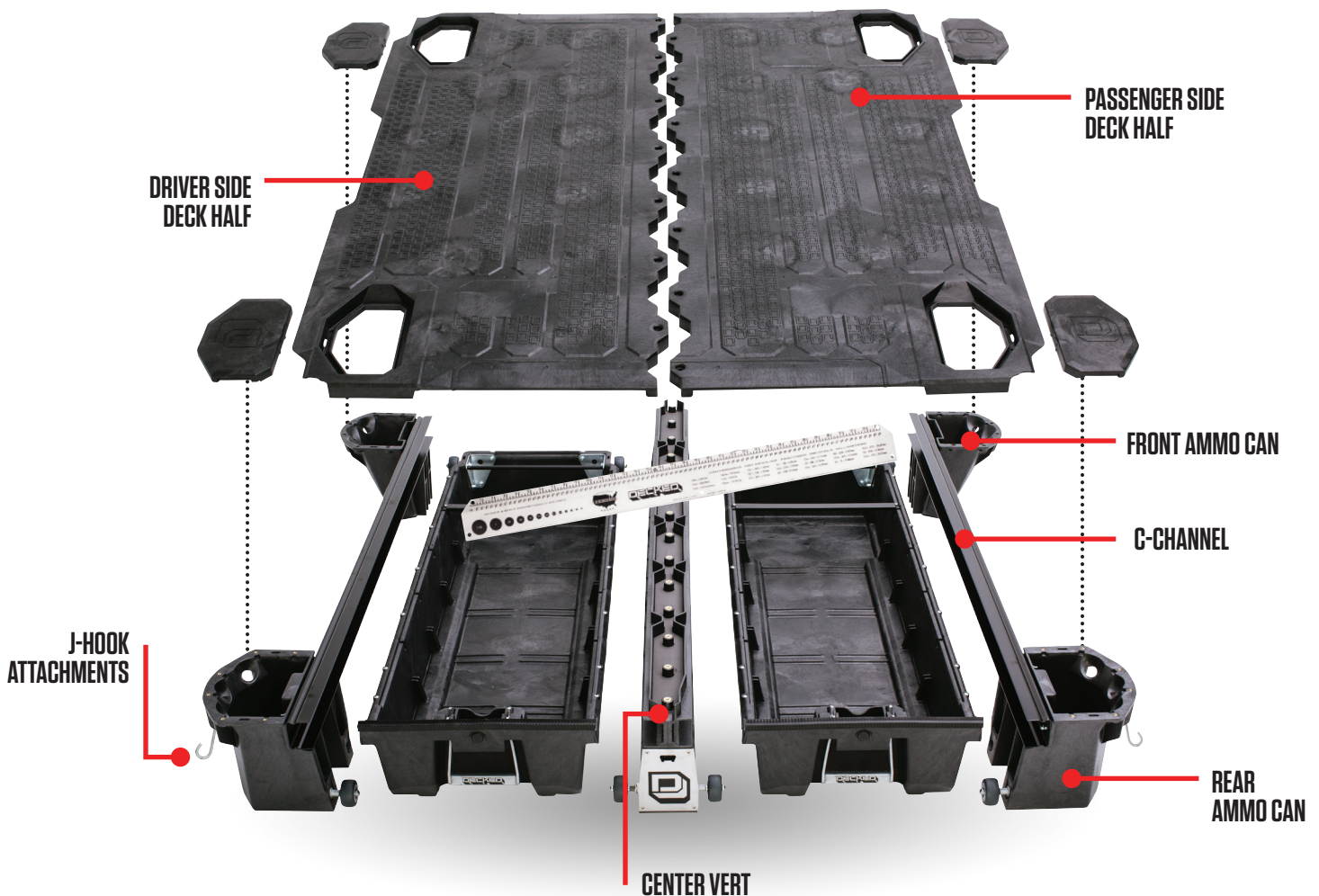
**REAR** ammo cans have flat bottoms; **FRONT** ammo cans are narrow at the bottom.

**NOTE:** You will need a buddy with exactly two steps.

*Need Help? Watch our detailed installation video or give us a call. We're happy to help!*

**SERVICE@DECKED.COM | 208.806.0251 | DECKED.COM/INSTALLVIDEO**

## ▼ ASSEMBLY OVERVIEW ▼



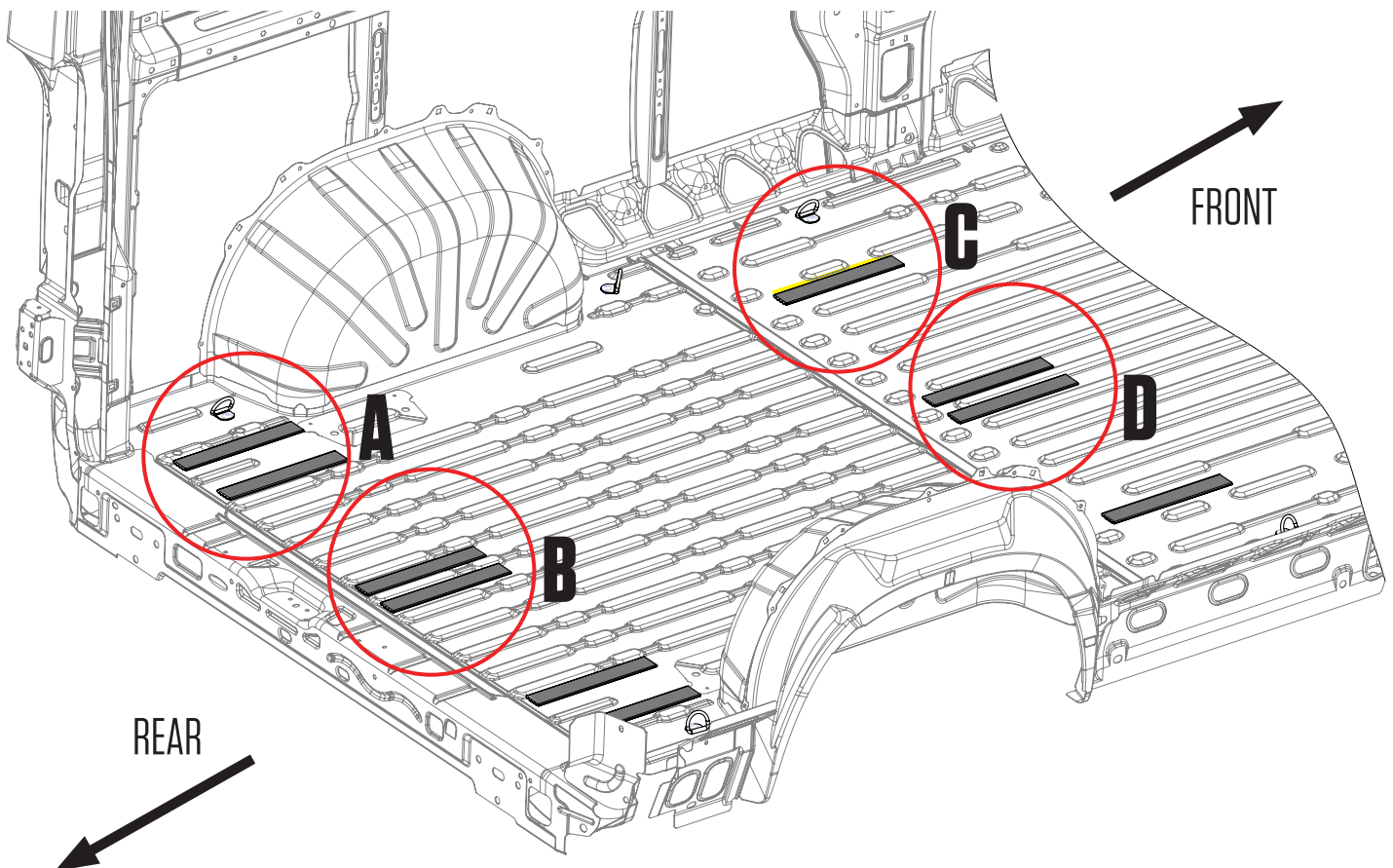
# PREPARE VAN: INSTALL SHIMS

**There are 10 shims provided:**

- 1) If your vehicle is equipped with a rubber floor mat in the cargo area, you will need to remove the screws securing the plastic trim pieces at the base of the rear door and side door openings, and remove and set aside the plastic trim pieces. **If no mat is installed, follow step 3 on this page.**
- 2) At the rear door opening, lift the floor mat and fold it forward so it is clear of the floor area where the shims will be placed.
- 3) Using the information in the respective circular detail views on the next page:
  - a) Clean the surfaces where the shims will be located.
  - b) Remove the layer of tape on the bottom of the shim to expose the adhesive surface.
  - c) Place the shim and apply with pressure.

**NOTE: Repeat steps A and C on passenger side.**

- 4) When all shims are placed, roll the rubber mat back to cover the floor.
- 5) Reinstall the plastic side and rear door trim pieces and secure with screws.

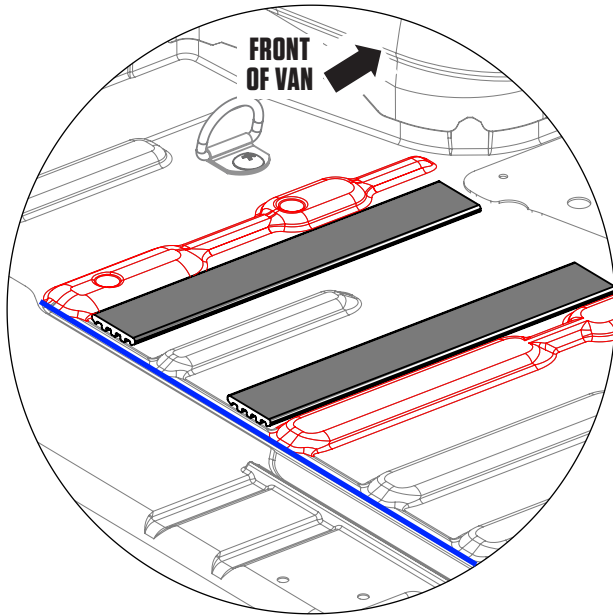


# PREPARE VAN: INSTALL SHIMS

## DETAILED VIEW

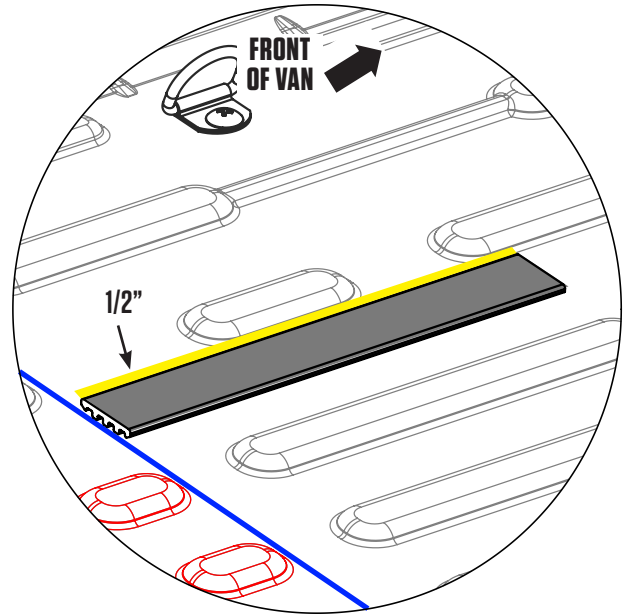
### DETAIL A

Make sure shims are adjacent to beads in floor (red). Align rear of shims to transverse bead in floor (blue line). Repeat on passenger side.



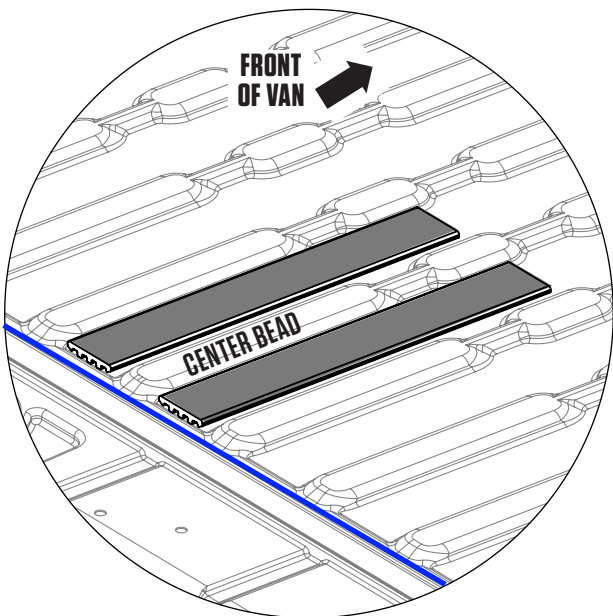
### DETAIL C

Align rear side of shim with front of small beads in floor (blue line). Place shim 1/2" from bead. Repeat on passenger side.



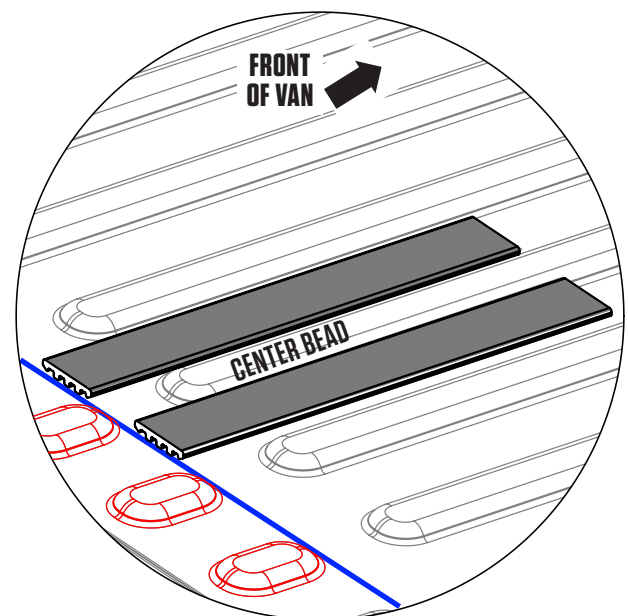
### DETAIL B

Align rear of shims adjacent to transverse bead in floor (blue line).



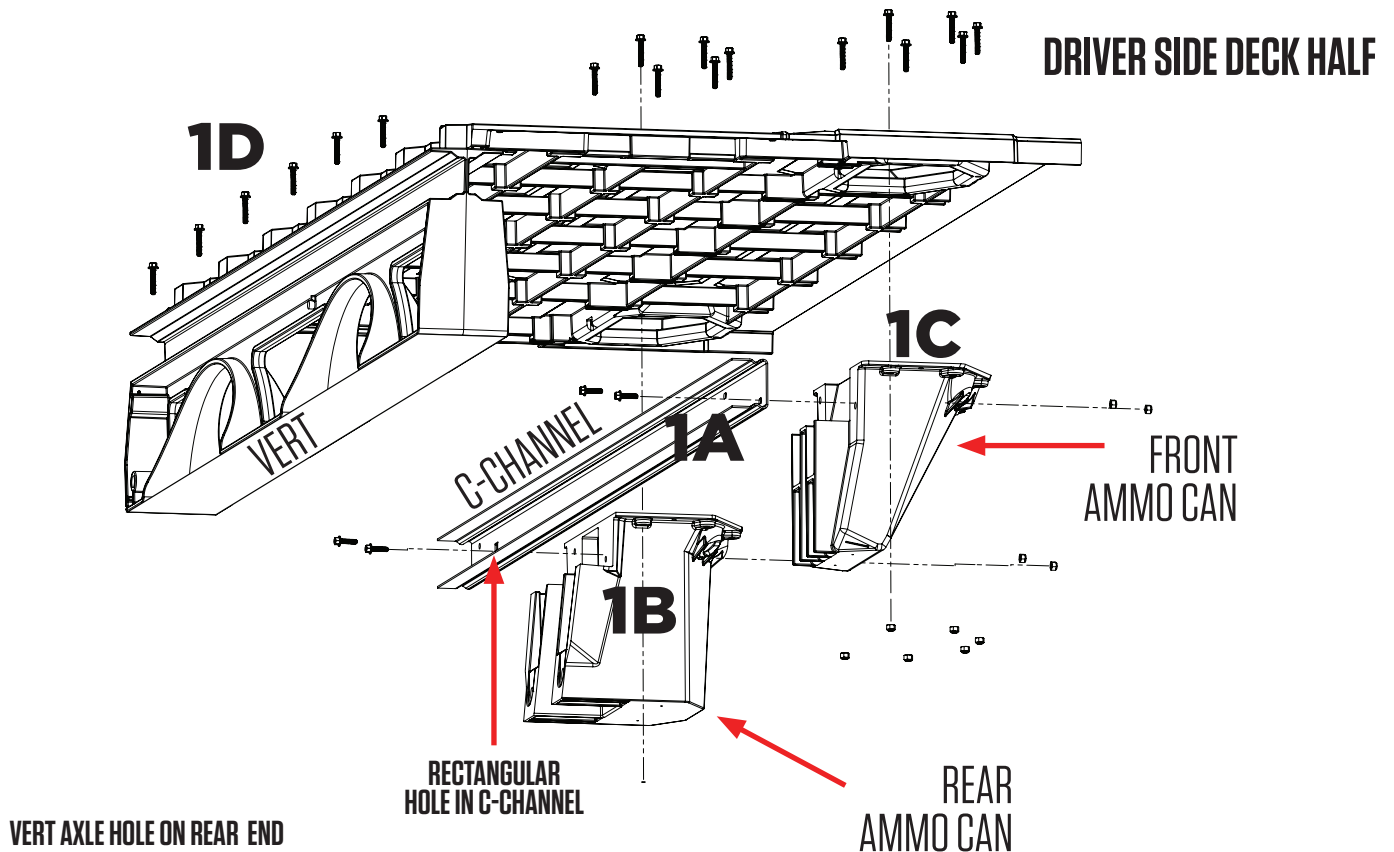
### DETAIL D

Align rear side of shims with front of small beads in floor (blue line).



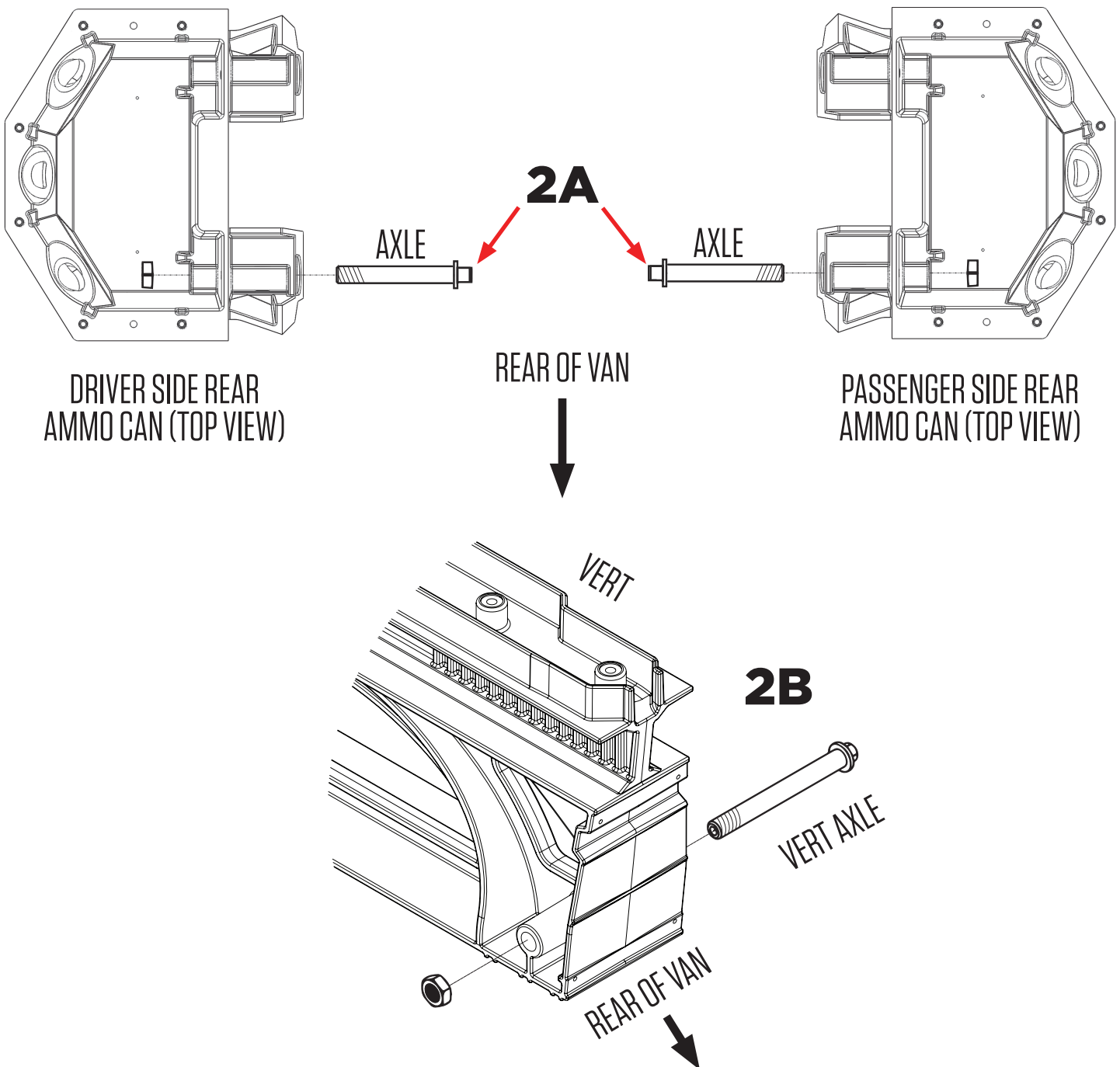
# STEP 1: DRIVER SIDE DECK ASSEMBLY

- Loosely bolt C-channel to the ledges on the **inside** of the two ammo cans. Make sure bolt head is on the C-channel side, not inside ammo can; **bag 1A**. **NOTE: The small rectangular slot in the C-channel indicates the rear end.**
- Line up the deck (sticker indicates driver side deck half) on top of the C-channel/ammo can assembly and the vert bosses. **NOTE: Rear side of vert has an axle hole at the bottom (see below).**
- Bolt deck to C-channel/ammo can assembly; **bag 1B** for driver side rear ammo can, **bag 1C** for driver side front ammo can.
- Go back and tighten loose bolts connecting ammo cans to C-channel.
- Bolt the deck to the vert; **bag 1D**. **Do not use power tools.**
- Grab your buddy to help you lift assembly onto driver side of van.



# STEP 2: INSTALL AXLES

- 1). Install the driver side rear ammo can axle; **bag 2A**.
  - Rotate the axle from its inbound side using a wrench on the “flat” end. Nut is included in bag and can be held with adjustable wrench while tightening. **NOTE: Axles should be tight enough that the axle end is difficult to spin with a 1/2” wrench.**
- 2). Repeat on passenger side rear ammo can; **bag 2A**.
- 3). Install vert axle; **bag 2B**.

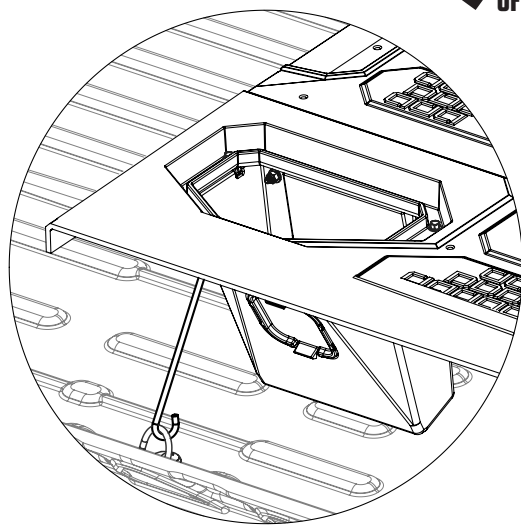
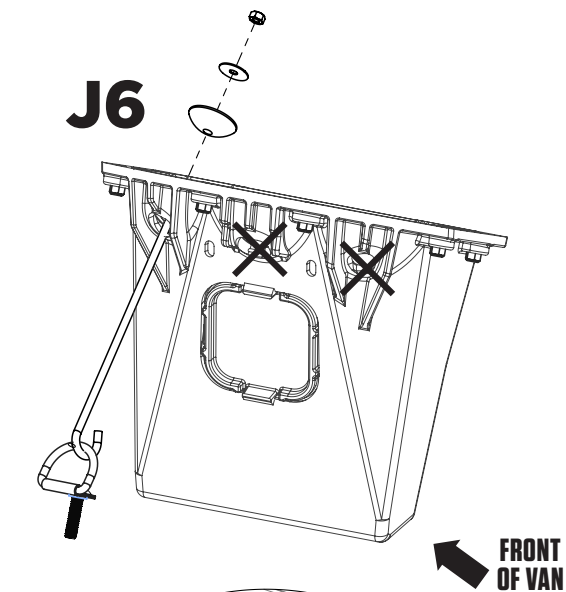




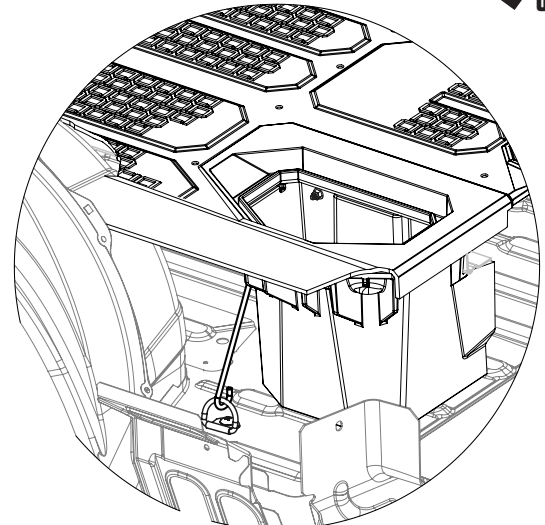
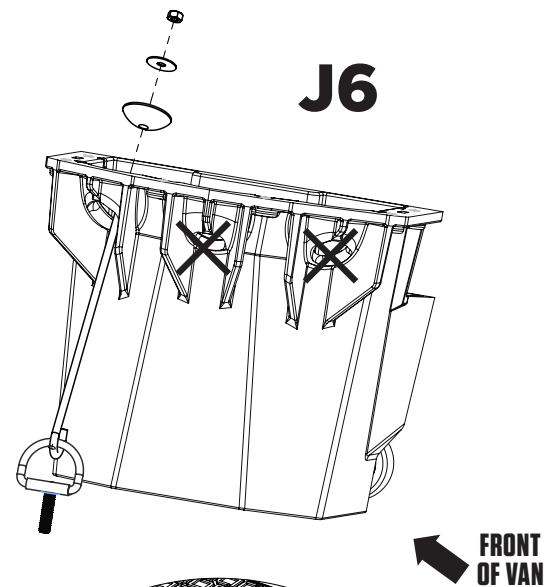
# STEP 3: INSTALL DRIVER SIDE DECK HALF

- Get a buddy to help you place the driver side deck assembly into your van and slide it up against the driver side wall.
- Insert the J-hook through the hole shown on the driver side front ammo can and loosely affix it to tie-down bracket (hook on bottom); **bag J6**.
- Insert the J-hook through the hole shown on the driver side rear ammo can and loosely affix it to tie-down with J-hook (hook on bottom); **bag J6**.

**Important: Leave all J-hook screws loose until entire deck is in place.**



DRIVER SIDE  
FRONT AMMO CAN

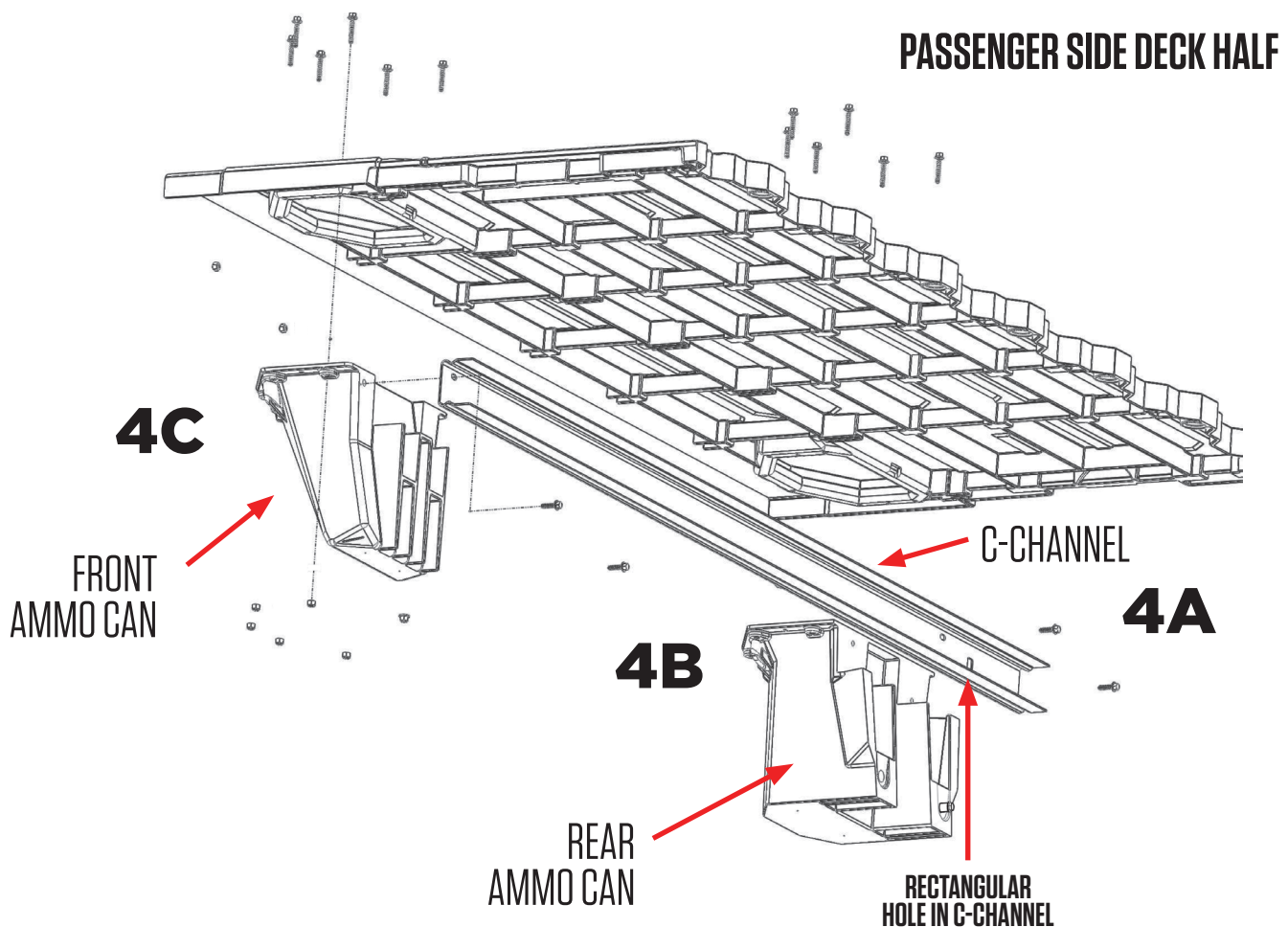


DRIVER SIDE  
REAR AMMO CAN



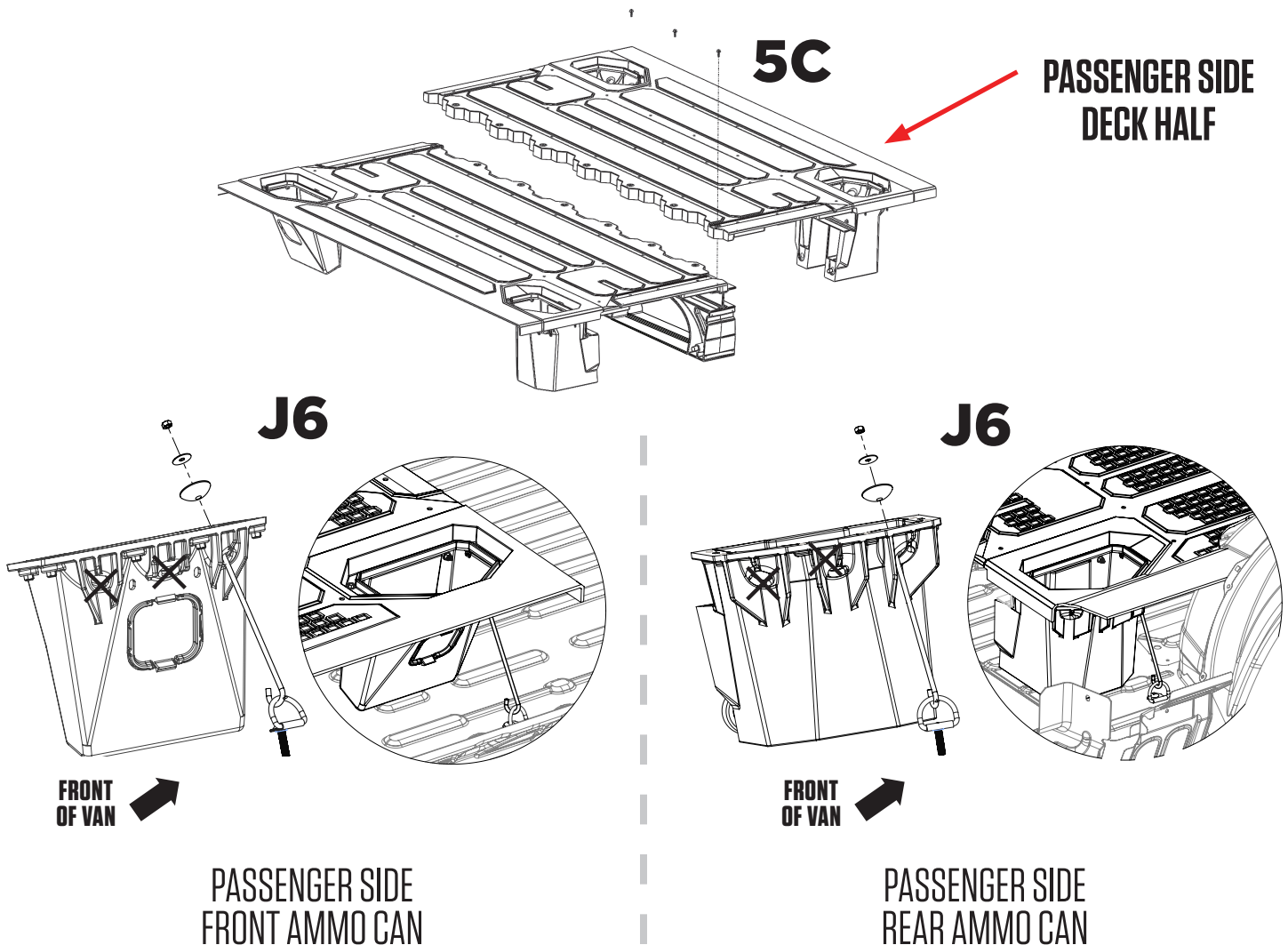
# STEP 4: PASSENGER SIDE DECK ASSEMBLY

- Loosely bolt C-channel to the ledges on the **inside** of the two ammo cans. Make sure bolt head is on the C-channel side, not inside ammo can; **bag 4A**. **NOTE: The small rectangular slot in the C-channel indicates the rear end.**
- Line up the deck (sticker indicates passenger deck half) on top of the C-channel/ammo can assembly and the vert bosses. **NOTE: Rear side of vert has an axle hole at the bottom.**
- Bolt deck to C-channel/ammo can assembly; **bag 4B** for driver side rear ammo can, **bag 4C** for driver side front ammo can.
- Tighten bolts connecting ammo cans to C-channel.
- Grab your buddy to help you lift assembly onto passenger side of van.



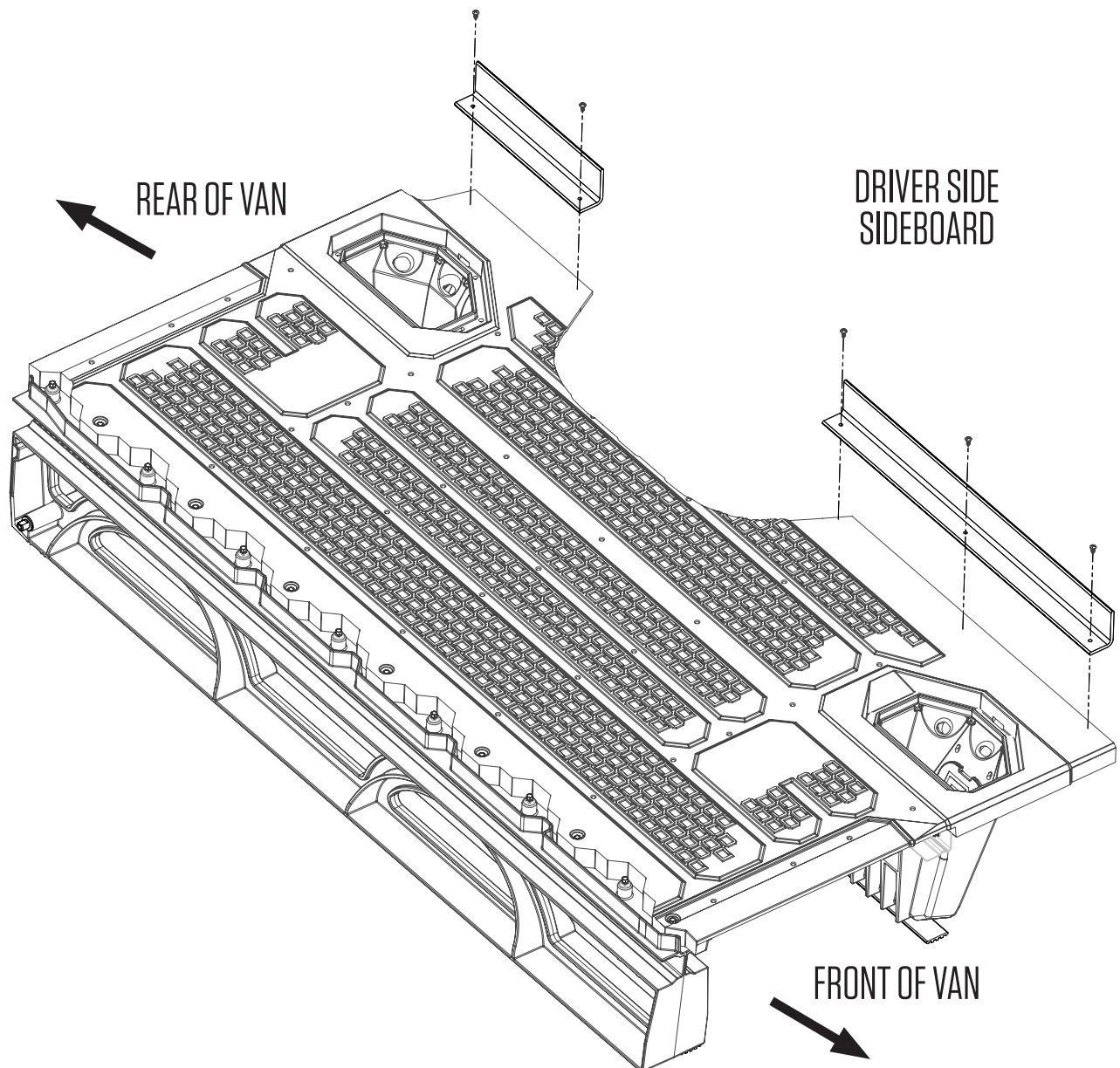
# STEP 5: INSTALL PASSENGER SIDE DECK HALF

- Wake up your buddy to help you place the passenger side deck assembly into the van so it overlaps the driver side deck section. Slide until inside edge of the deck rests on the round bosses of the vert.
- Insert the J-hook through the hole shown on the passenger side front ammo can and loosely affix it to tie-down bracket (hook on bottom); **bag J6**.
- Insert the J-hook through the hole shown on the passenger side rear ammo can and loosely affix it to the bracket with J-hook (hook on bottom); **bag J6**.
- Bolt passenger side deck half to the vert; **bag 5C** (just like step 1D). Make sure all bolts connecting deck to vert are snug, **but no power tools**.
- Alternately and gradually tighten all J-hooks to ensure deck is centered and secure. **Do not tighten one side of J-hooks all the way in one step.**
- Install window covers in front ammo cans.



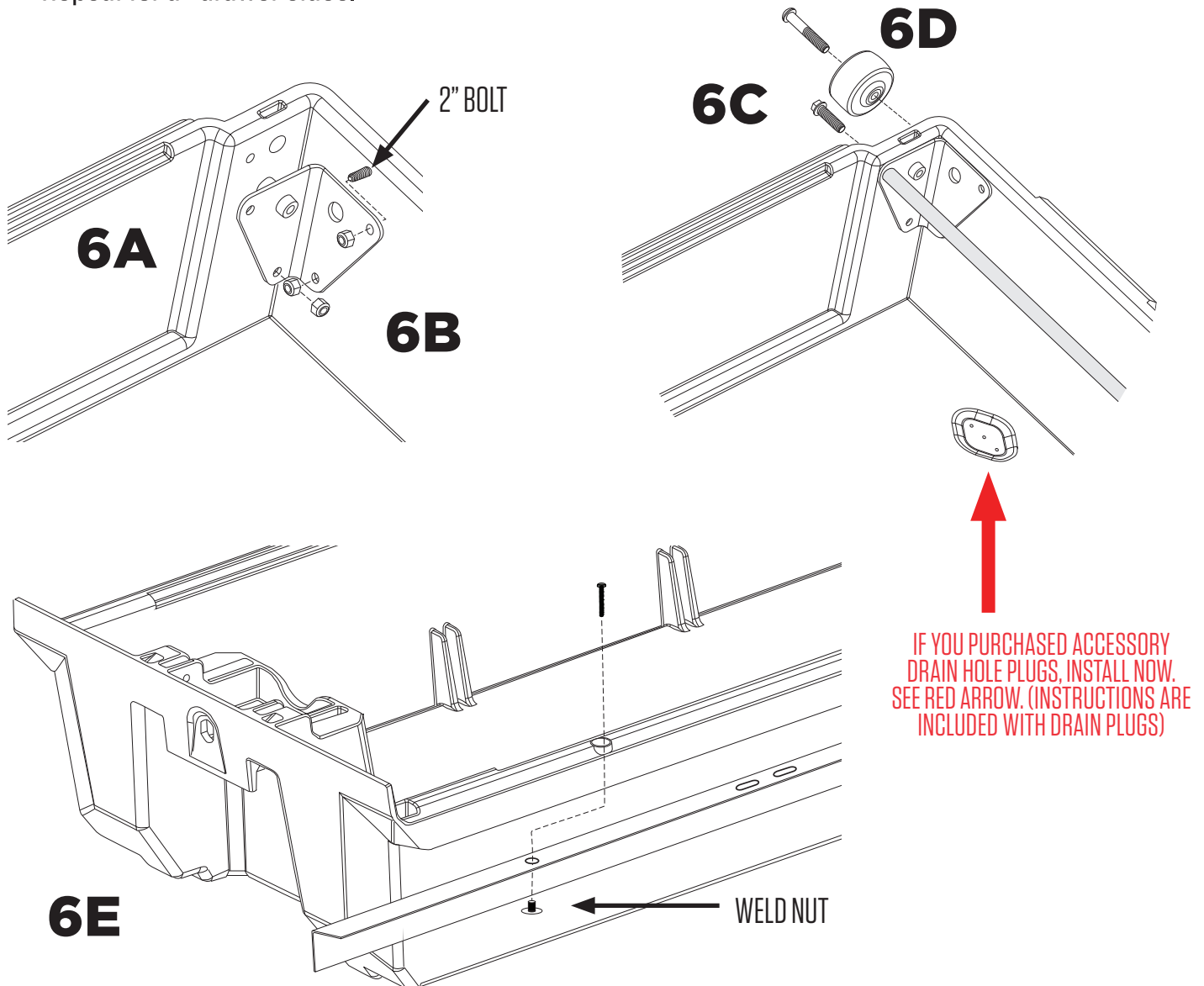
# STEP 5.5 INSTALL SIDEBOARDS

- Identify driver side 'L' shaped plastic sideboards.
- Center the sideboards on the deck panel as shown below.
- Push vertical leg of sideboards up against the interior side panel of van.
- Using the holes in the sideboards as a guide, install-self-tapping screws; **bag 5.5.**
- Repeat the process for the passenger side of the system.



# STEP 6: INSTALL DRAWER WHEELS

- There is a left and a right corner bracket for each drawer—bolt brackets in place. (use the 2" bolts for the upper back wall bracket hole); **bags 6A and 6B.**
- Use tube brace with two bolts to connect the two corner brackets; **bag 6C.**
- Insert axle through wheel and affix to drawer bracket; **bag 6D.** Do this for each wheel (4 times).
- Turn drawer upside down and align the holes in the L-braces (loose in system box) with the drawer holes. **NOTE: Start L-brace with hole closest to handle.**
- Simply use your thumb to push the weld nuts into each hole. Once weld nuts are in place, turn the drawer upright and insert the screws (snug but not too tight); **bag 6E.**
- Repeat for all drawer sides.



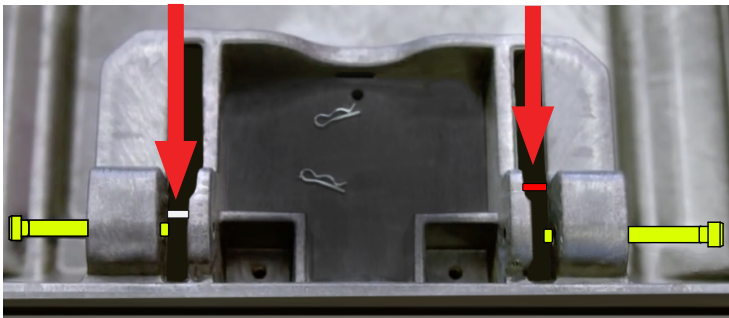
# STEP 7: INSTALL DRAWER HANDLES

- Save yourself the headache, watch this short installation video: [decked.com/videohandle](https://decked.com/videohandle)
- From the **underside** of drawer, place the springs between the holes, red spring=right spring; **bag 7A**.  
**NOTE: each spring arm should point inward, not outward.**
- Install clevis pin through each drawer hole and through spring; **bag 7B**.
- With DECKED logo facing outward, insert the handle ends behind the spring arms. Rotate the top of the handle toward the clevis pins, pulling the spring arm downward. When the handle hole is lined up with the clevis pin, push the pin through the handle hole and through the drawer hole. Repeat on the other side of the handle.
- Install hair pin through the clevis pin; **bag 7B**.
- Repeat process for the other drawer; **bag 7C & 7D**.

TOP VIEW

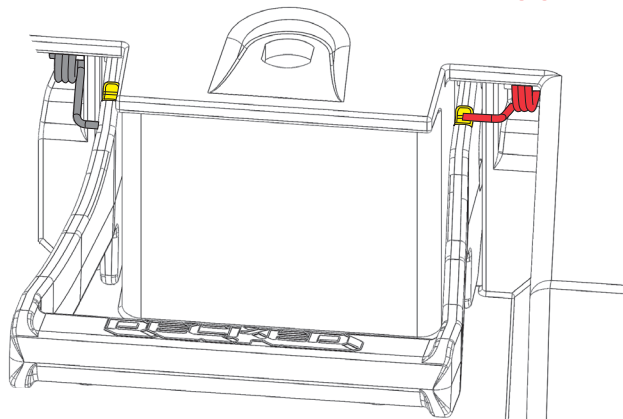
**WRONG:**  
SPRING ARM IS HERE  
(NOT FULLY HORIZONTAL)

**CORRECT:**  
SPRING ARM IS HERE  
(FULLY HORIZONTAL)

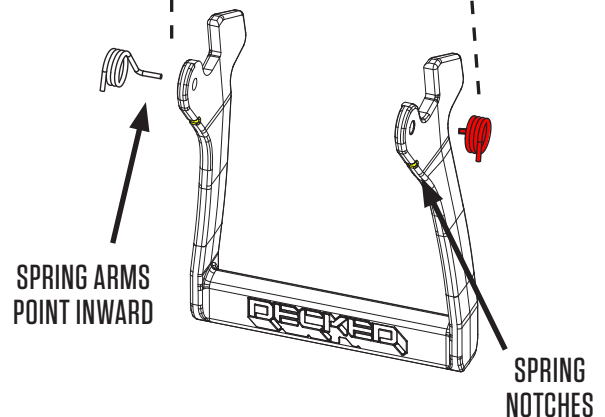
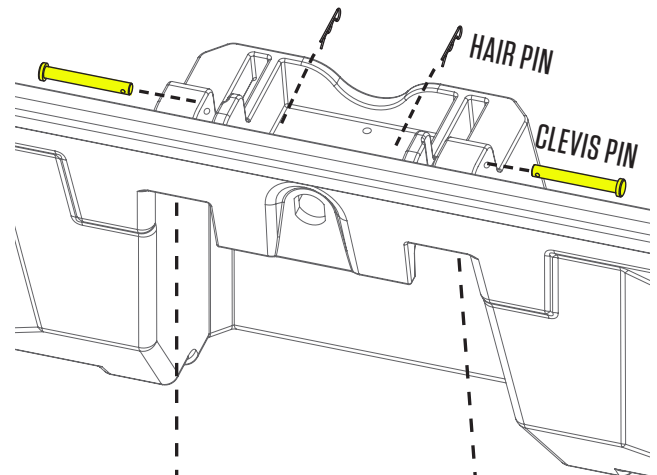


**WRONG:**  
SPRING ARM OUT  
OF HANDLE NOTCH

**CORRECT:**  
SPRING ARM FITS  
IN HANDLE NOTCH



HANDLE OVERVIEW



**HELPFUL TIP:** MAKE SURE SPRINGS HAVE  
THE LONG ARM HORIZONTAL AND SHORT LEG  
VERTICAL BEFORE INSERTING HANDLE





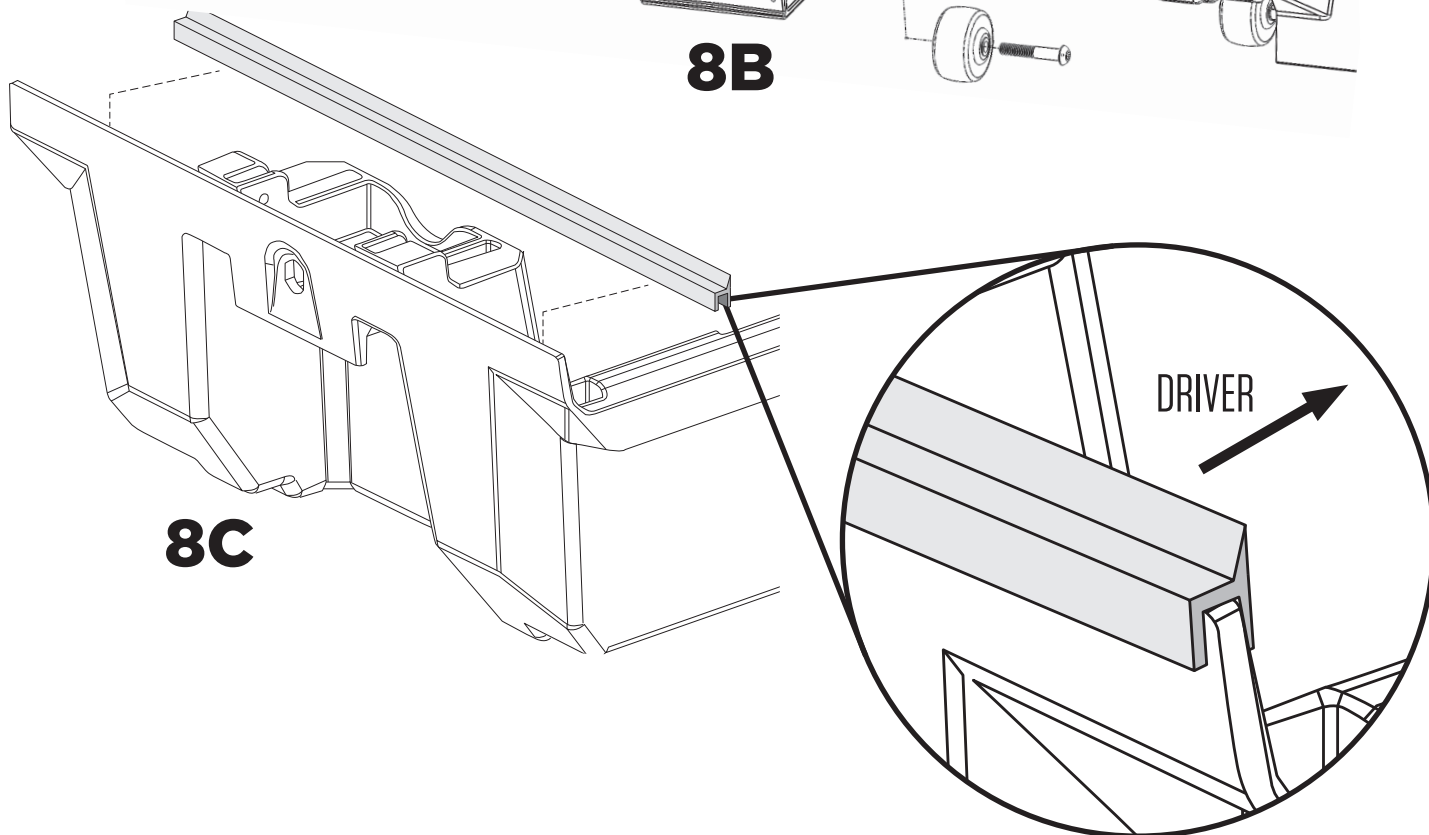
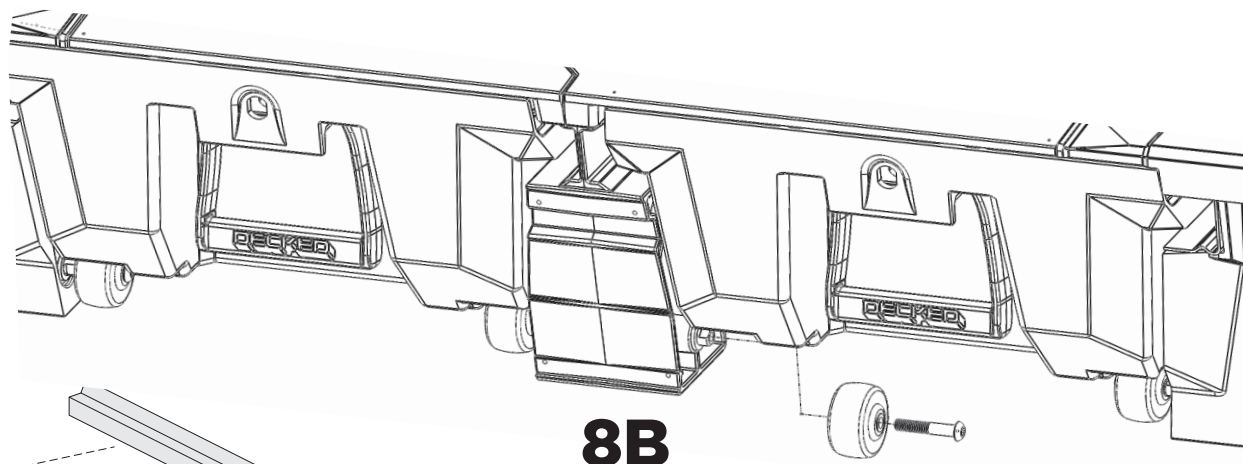
# STEP 8: INSTALL DRAWERS

- Save yourself the headache, watch this short installation video: [decked.com/video/tailgatewheels](https://www.decked.com/video/tailgate-wheels).
- Install optional drawer braces (instructions included in bag); **bag 8A**.
- Install drawer by sliding wheels into their two channels (C-channel and vert).
- Install remaining tailgate side wheels onto their axles; **bag 8B**.

**NOTE: Placing a spacer under the drawer to raise it into position makes this easier (ammo can lids work well).**

- Place weather stripping on top of the tailgate side drawer edge *with the wiper facing DRIVER*; **bag 8C**.

**NOTE: Facing the weather stripping the wrong way will funnel water into drawer: **BAD!****



# STEP 9: THE FUN STUFF

**Caution:** These are small gauge screws—light, hand-tightening is all that is required.

- Center and screw on the edge guard/ruler; **bag 9A**.
- Screw on the bottle opener; **bag 9A**.
- Using your favorite beverage, test the bottle opener, and think about how jealous your buddies are going to be.

