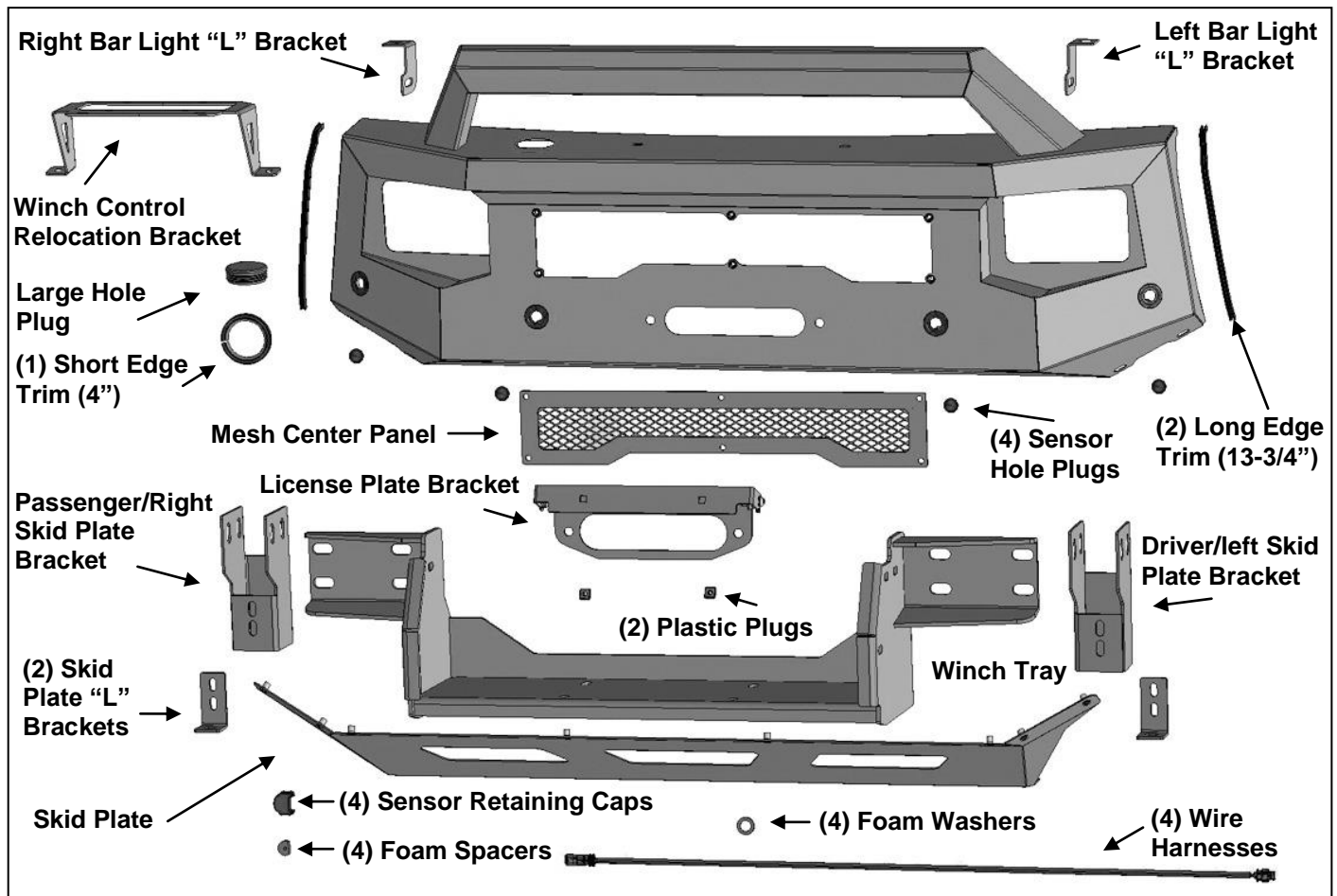


PART #P000032
Front Bumper for 13-18 Dodge Ram 25-3500



PARTS LIST:

1	CS1 Winch Front Bumper Assembly	8	12mm Lock Washers
1	Winch Tray Assembly	8	12mm Hex Nuts
1	Winch Control Relocation Bracket	4	12mm Nylon Lock Nuts
1	Center Mesh Fill Panel	6	10-1.5mm x 35mm Hex Bolts
1	Skid Plate	2	10-1.5mm x 30mm Button Head Bolts
1	Driver/left Skid Plate Frame Bracket	6	10mm x 30mm x 2.5mm Flat Washers
1	Passenger/right Skid Plate Frame Bracket	6	10mm Lock Washers
2	Skid Plate "L" Brackets	2	10mm Nylon Lock Nuts
1	Driver/left "L" Bracket (top LED light)	2	8-1.25mm x 25mm Hex Bolts (stainless)
1	Passenger/right "L" Bracket (top LED light)	2	8-1.25mm x 16mm Hex Bolts (stainless)
2	Rubber Edge Trim 13-3/4" length (350mm)	6	8mm x 24mm Flat Washers (stainless)
1	Rubber Edge Trim 4" length (200mm)	4	8mm Lock Washers (stainless)
1	Large Round Plug	2	8mm Hex Nuts (stainless)
1	Pivot License Plate Bracket	6	8-1.25mm x 25mm Hex Bolts
2	Plastic Plugs for license plate mount	14	8mm x 24mm Flat Washers
4	Sensor Retaining Caps	6	8mm Nylon Lock Nuts
4	20mm x 10mm Foam Spacers	14	6mm x 20mm Button Head Combo Bolts
4	15.5mm x 25mm x 2mm Foam Washers	4	6mm x 20mm Button Head Bolts
4	Sensor Hole Plugs	8	6mm x 18mm x 1.6mm Flat Washers
4	Wire Harness Extensions	4	6mm Nylon Lock Nuts
1	Sensor Cover Kit	8	4mm Self Tapping Screws
4	12-1.75mm x 85mm Hex Bolts	10	Nylon Wire Ties
8	12-1.75mm x 50mm Hex Bolts	1	6mm Allen Wrench
8	12mm x 32mm x 3mm Flat Washers	1	5mm Allen Wrench
16	12mm x 24mm x 2.5mm Flat Washers	1	4mm Allen Wrench



PROCEDURE:

REMOVE CONTENTS FROM BOX. VERIFY ALL PARTS ARE PRESENT. READ INSTRUCTIONS CAREFULLY BEFORE STARTING INSTALLATION. ASSISTANCE IS RECOMMENDED TO AVOID POSSIBLE INJURY OR DAMAGE TO THE VEHICLE. CUTTING IS REQUIRED.

1. Remove the license plate and bracket. On models with factory fog lights and/or sensors, unplug wiring harness, **(Figure 1)**. Release the harness from the clips attached to the back of the bumper and move harness away from bumper.
2. Open the hood and remove the plastic cover between the top of the grille and the top of the radiator. Carefully remove the grill assembly, **(Figures 2 & 3)**.
3. Place blocks or jack stands under the front bumper to support it during mounting bolt removal. Once the bumper has been safely supported, remove the hex nuts attaching each bumper bracket to the end of the frame, **(Figure 4)**. **WARNING!** Assistance is required to hold the bumper in place during hardware removal to prevent the bumper from falling. Slide the bumper assembly off of the tow hooks.
4. Next, temporarily remove the tow hooks, **(Figure 5)**. **IMPORTANT:** On models equipped with turbo diesel, the intercooler shroud must be removed, **(Figure 6)**.
5. Carefully unwrap the CS1 Bumper assembly. Remove the Winch Tray Bracket Assembly from the back of the Bumper, **(Figure 7)**.
6. Select the Winch Tray Assembly. Attach the mounting tabs to the frame with the included (8) 12mm x 50mm Hex Bolts, (16) 12mm x 24mm Small Flat Washers, (8) 12mm Lock Washers and (8) 12mm Hex Nuts, **(Figures 8 & 9)**. **IMPORTANT:** On models with tow hooks, reinstall the tow hooks over the mounting brackets on the Winch Tray Assembly, **(Figure 24)**. Leave hardware loose at this time.
7. Disassemble the factory bumper to remove air dam, sensors, harness and outer bumper, **(Figure 10)**.
8. Place the outer factory bumper on a stable work surface. Measure and place a mark 8-1/2" in from the edge of the driver/left side of the center opening in the bumper, **(Figure 11)**. On the bottom of the

bumper, measure and place a mark 9" in from the edge of the bottom opening, **(Figure 12)**. Use removable tape, (masking tape for example), to draw a vertical line from the previous marks, **(Figure 13)**. Repeat this Step to mark the passenger/right side of the bumper. Cut the lower section from the bumper along the two lines, **(Figure 14)**. **IMPORTANT:** Do not remove the lower mounting holes from the bottom of the bumper.

9. Reassemble the front bumper. Models with parking sensors, reinstall the wiring harness. Check the fit and alignment of the bumper to the vehicle and the Winch Tray and trim as necessary, **(Figure 15)**.
10. Reinstall bumper, grille and cover removed in **Step 2**.
11. Determine if vehicle is equipped with parking sensors. **NOTE:** Sensors must be installed before installing Bumper Assembly.

Models without sensors:

- a. Push the included (4) Plastic Plugs into the sensor mounting holes in the CS1 Bumper, **(Figure 16)**. Skip to **Step 12**.

Models with parking sensors.

- a. Unplug and remove the (4) center sensors from the factory bumper.
 - b. Select (1) sensor. Remove the silicone seal from the end of the sensor. Slide the included larger Foam Sensor Seal over front of sensor, **(Figure 17)**.
 - c. Insert sensor with Seal into sensor mount on the CS1 Bumper, **(Figure 17)**.
 - d. Place Foam Spacer onto the end of sensor. Push on the Sensor Retaining Cap and snap onto the sensor mount, **(Figure 17)**.
 - e. Plug Wiring Harness Extension into sensor.
 - f. Repeat the previous Steps to install the remaining sensors.
12. Determine if a winch,(not included), will be installed at this time.

Models with winch,

- a. Check winch for clearance. Follow manufacturer's instructions to remove the control unit from the top of the winch if necessary.
- b. Attach the winch to the Winch Tray at this time. Winch must be installed before Bumper is placed in position against Tray Assembly.
- c. Select the Control Unit Relocation Bracket. Attach the Bracket to the top of the Bumper with the included (4) 6mm x 20mm Button Head Bolts, (8) 6mm Flat Washers and (4) 6mm Nylon Lock Nuts, **(Figure 18)**. Reuse the winch hardware to attach the control unit to the Bracket.
- d. Apply short section of Edge Trim to the hole in top of Bumper, **(Figure 19)**.
- e. Follow manufacturer's instructions to properly attach the winch to the vehicle's electrical system.

Models without winch.

- a. Insert Plastic Plug into hole, **(Figure 20)**.

13. On all vehicles requiring front license plate, select the Pivoting License Plate Bracket, **(Figure 21)**. Use the included (2) 10mm x 30mm Button Head Bolts and (2) 10mm Nylon Lock Nuts to attach the Bracket alone or if installing winch, between the cable guide and the Bumper.
14. Attach the included long Edge Trim to the sides of the Bumper, trim to fit as required, **(Figure 22)**. Temporarily place outer Bumper in position to check for clearance.
15. With assistance, position the Bumper Assembly up to the outside of the Winch Tray. Temporarily support the weight of the Bumper. **WARNING:** To avoid possible injury or damage to the vehicle, do not proceed until the Bumper is fully and safely supported.
16. Attach the driver/left side of the Bumper to the Winch Tray with (3) 10mm x 35mm Hex Bolts, (3) 10mm Lock Washers and (3) 10mm Flat Washers, **(Figure 23)**. Do not fully tighten at this time. Repeat this Step to attach the passenger/right side of the Bumper to the Winch Tray.
17. Models with sensors, plug Wiring Harness Extensions from sensors into bumper wiring harness.
18. Level and adjust the Bumper and fully tighten all hardware, **(Figure 24)**.
19. Determine if vehicle is equipped with lower frame extensions.

Models without lower frame extensions.

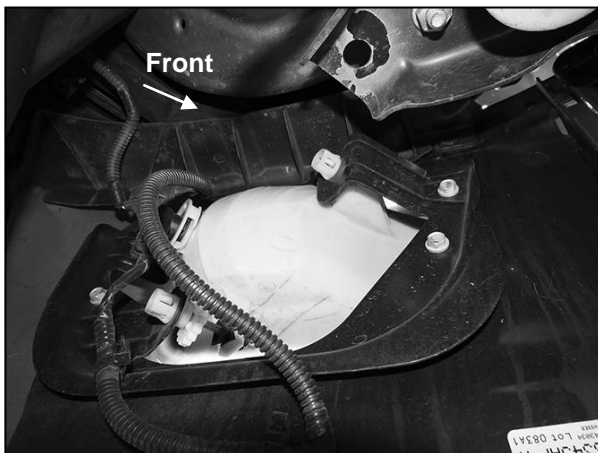
- a. Select the driver/left Frame Extension. Attach the Extension to the (2) holes in the frame with the included (2) 12mm x 85mm Hex Bolts, (4) 12mm x 32mm Large Flat Washers and (2) 12mm Nylon Lock Nuts, **(Figure 25)**. Leave hardware loose at this time.
- b. Repeat the previous Step to attach the passenger/right Frame Extension.

Models with lower frame extensions, skip to Step 19.

20. Attach (1) Skid Plate “L” Bracket to the front of the driver/left frame extension with (2) 8mm x 25mm Hex Bolts, (4) 8mm Flat Washers and (2) 8mm Nylon Lock Nuts, **(Figures 26 & 27)**. Repeat this **Step** to attach the “L” Bracket to the passenger/right Frame Extension.
21. Select the Skid Plate, **(Figure 28)**. Attach the Skid Plate to the bottom of the Bumper with the included (8) 6mm x 20mm Button Head Combo Bolts. Attach the rear tabs of the Skid Plate to the bottom of the “L” Brackets with (2) 8mm x 25mm Hex Bolts, (4) 6mm Flat Washers and (2) 6mm Nylon Lock Nuts, **(Figures 29 & 30)**.
22. Check alignment, adjust as necessary and fully tighten all hardware.
23. Determine if bar style LED light, (not included), will be installed at this time. **NOTE:** Bull Nose assembly is designed to be compatible with most 20” to 24” Bar Style LED lights.
LED bar style light installation (light not included).
 - a. Select the passenger/right “L” Light Bracket, **(Figure 31)**. **NOTE:** “L” Brackets are offset to adjust for different widths of LED Bar Lights and can be installed on either side as needed.
 - b. Attach the “L” Bracket to the slot on the back of the Bull Nose assembly with (1) 8mm x 25mm Hex Bolt, (2) 8mm Flat Washers, (1) 8mm Lock Washer and (1) 8mm Hex Nut, **(Figure 31)**. Repeat this Step to install the remaining “L” Bracket.
 - c. Attach the light to the “L” Brackets with the included (2) 8mm x 16mm Hex Bolts, (2) 8mm Lock Washers and (2) 8mm Flat Washers or use the hardware included with the light, **(Figures 31)**. Do not fully tighten hardware at this time.
24. Reattach the bumper wiring harness to the main vehicle harness.
25. Attach the center Fill Panel to the front of the Bumper (optional) with the included (6) 6mm Combo Bolts, **(Figures 32)**. Push the included (2) push-in Plastic Plugs into the square holes in the License Plate Bracket. Reuse the factory hardware to attach the license plate to the Plastic Plugs.
26. Do periodic inspections to the installation to make sure that all hardware is secure and tight.

To protect your investment, Do not use any type of polish or wax that may contain abrasives that could damage the finish. Mild soap may be used to clean the Bumper assembly.

Driver/left Side Installation Pictured



(Fig 1) Unplug lights and sensors if equipped. Unplug harness to bumper and move harness

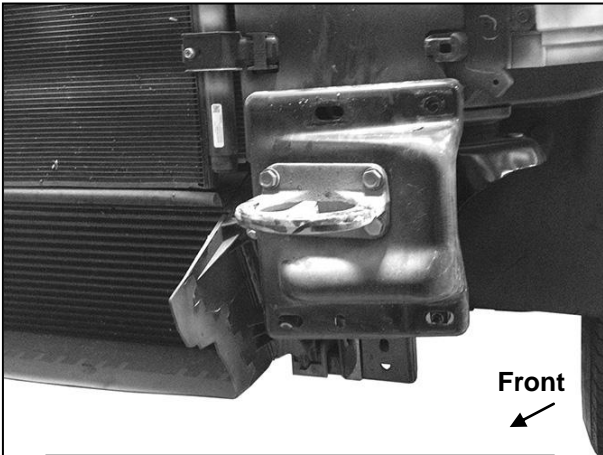


(Fig 2) Open hood and remove plastic cover

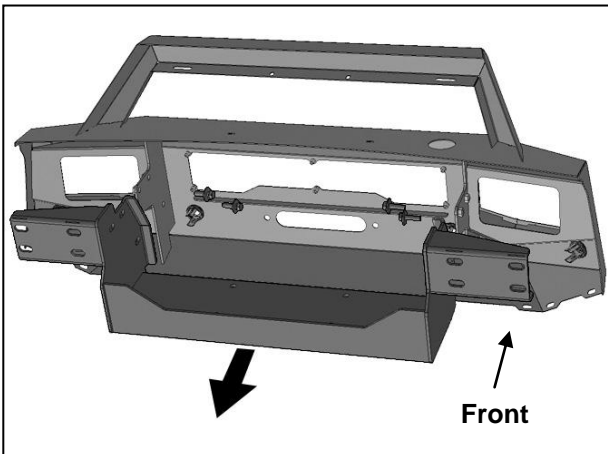
Driver/left Side Installation Pictured



(Fig 3) Temporarily remove plastic grille to access top bumper bolts



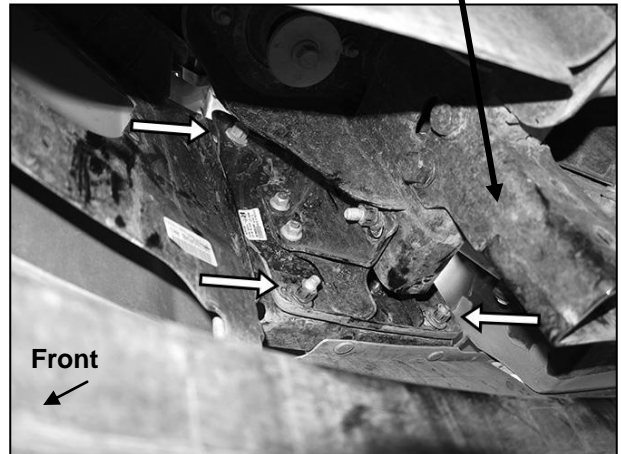
(Fig 5) Remove tow hooks if equipped



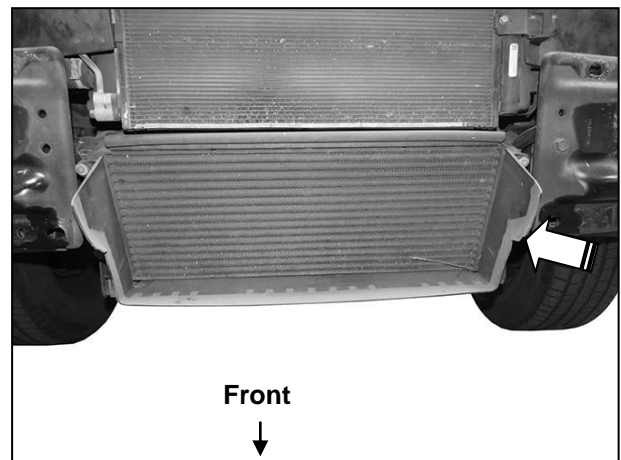
(Fig 7) Remove Winch Tray from back of Bumper

WARNING! Do not remove bumper bolts unless the bumper is properly supported on blocks or stands or it may fall.

Lower frame extension

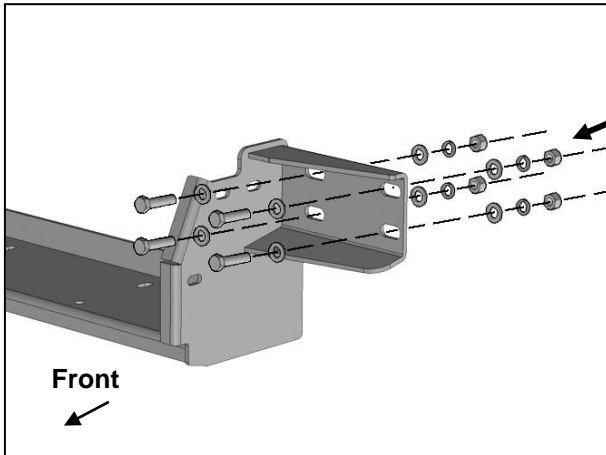


(Fig 4) Remove hex nuts from bumper bolts (arrows). Bumper bracket pictured from below/behind bumper



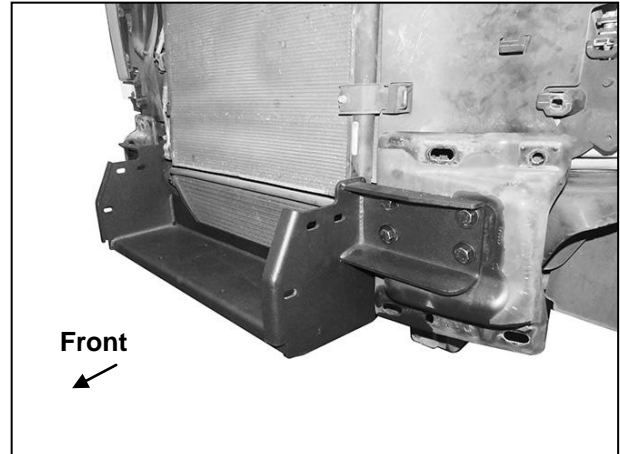
(Fig 6) Diesel models-remove shroud around intercooler (arrow)

Driver/left Side Installation Pictured

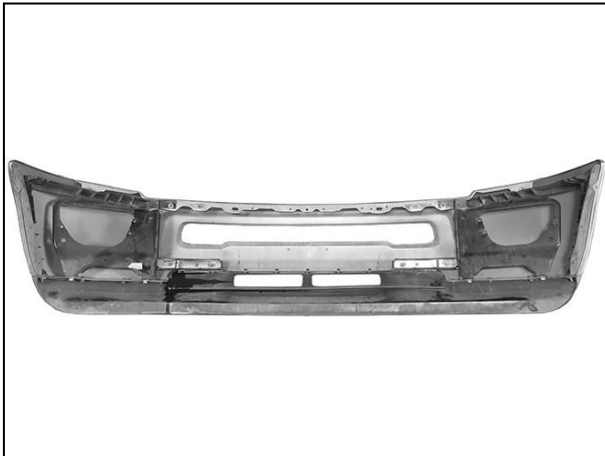


- (4) 12mm x 50mm Hex Bolts
- (8) 12mm Small Flat Washers
- (4) 12mm Lock Washers
- (4) 12mm Hex Nuts

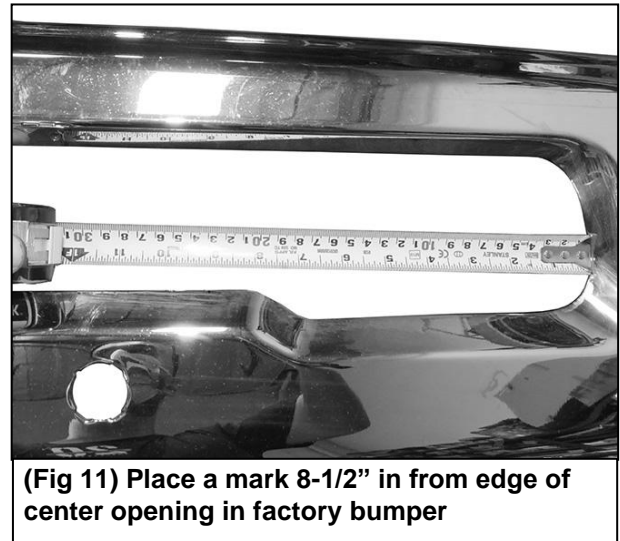
(Fig 8) Attach Winch Tray to frame. Models with tow hooks, attach tow hook over Bracket



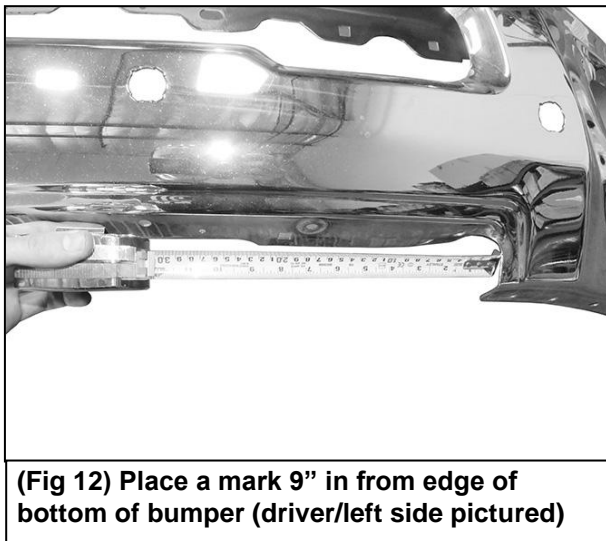
(Fig 9) Winch Tray attached to frame (model without tow hooks)



(Fig 10) Disassemble factory bumper

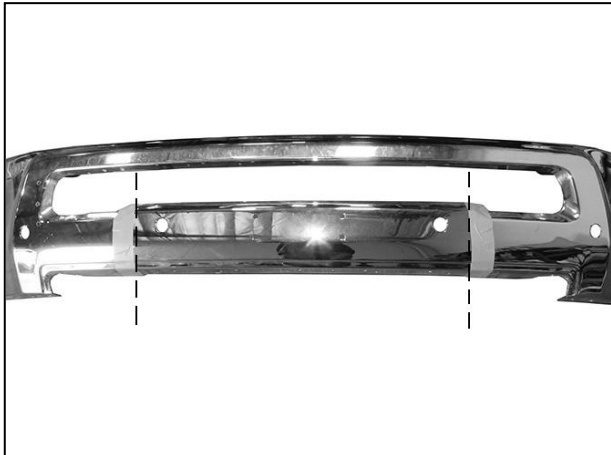


(Fig 11) Place a mark 8-1/2" in from edge of center opening in factory bumper



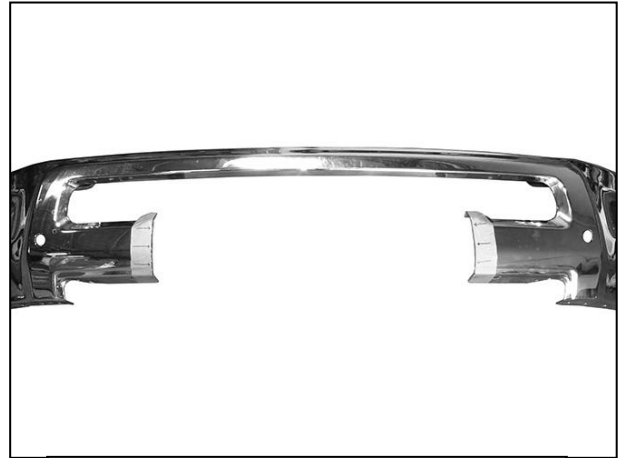
(Fig 12) Place a mark 9" in from edge of bottom of bumper (driver/left side pictured)

Driver/left Side Installation Pictured



(Fig 13) Use masking tape to draw a vertical line connecting marks (fig 10 & fig 11)

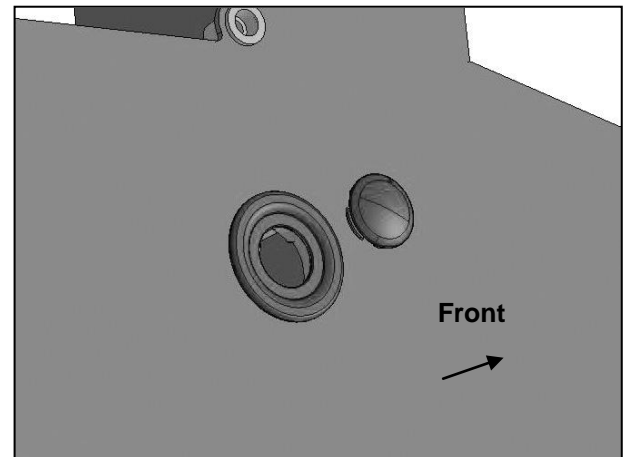
WARNING! Do not crawl under bumper unless it is properly supported on blocks or stands or the bumper may fall.



(Fig 14) Cut lower section from bumper

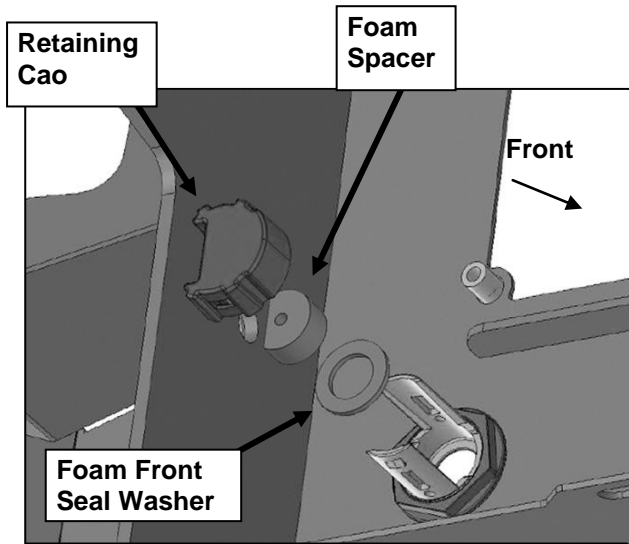


(Fig 15) Reinstall bumper, grille and cover



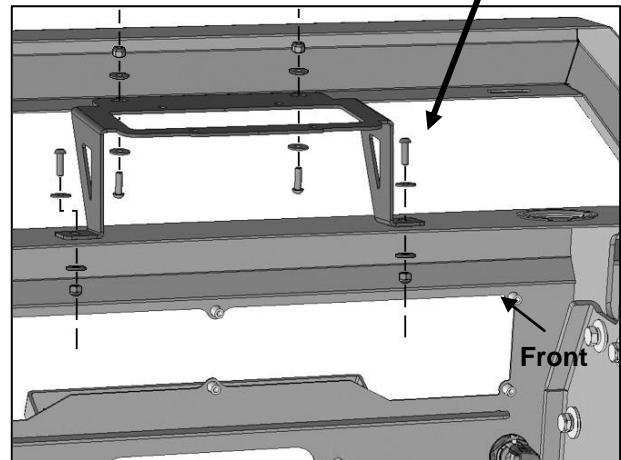
(Fig 16) Models without sensors, insert Plugs

Driver/left Side Installation Pictured

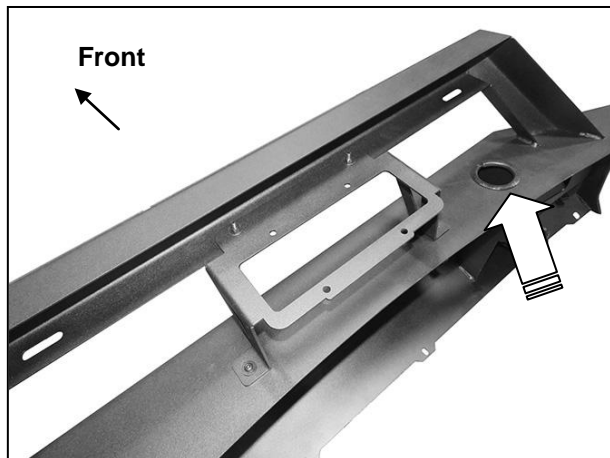


(Fig 17) Replace seal on sensor with larger Foam Seal. Push sensor and Seal into mount on back of Bumper

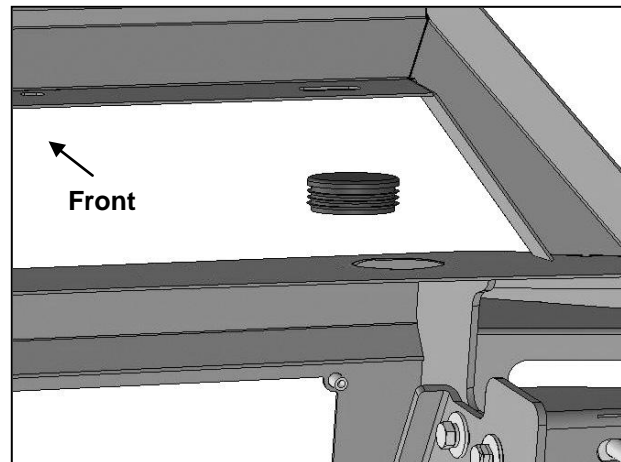
- (4) 6mm x 20mm Button Head Bolts
- (8) 6mm Flat Washers
- (4) 6mm Nylon Lock Nuts



(Fig 18) Attach Relocation Bracket to Bumper

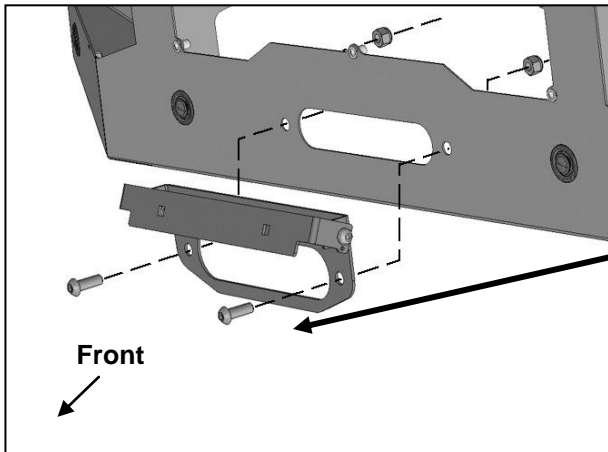


(Fig 19) Install Short Edge Trim to access hole



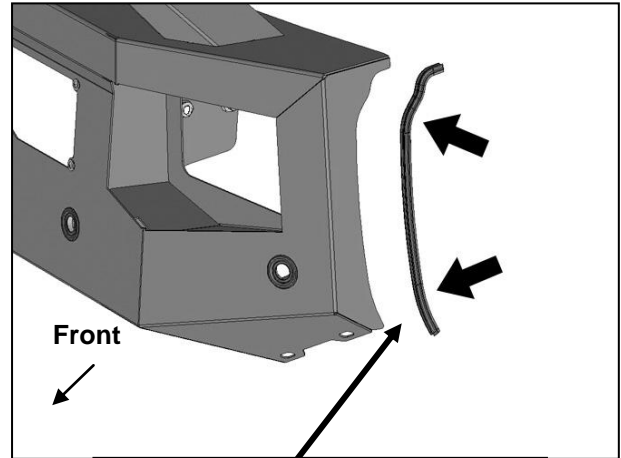
(Fig 20) Models without winch, insert large Plastic Plug into access hole

Driver/left Side Installation Pictured

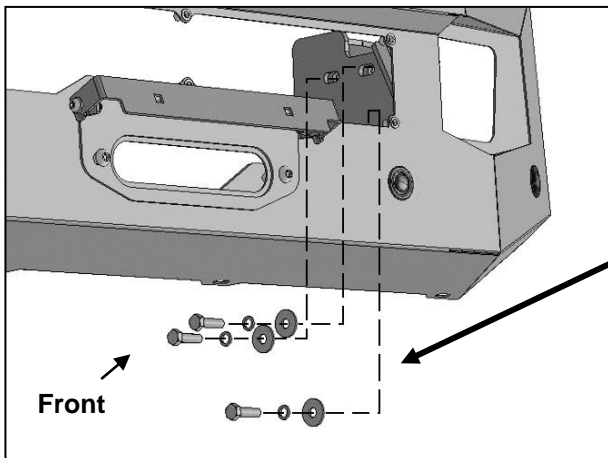


- (2) 10mm x 30mm Button Head Bolts
- (2) 10mm Nylon Lock Hex Nuts

(Fig 21) Attach License Plate Bracket if required



(Fig 22) Push "long" Edge Trim onto ends of CS1 Bumper



- (3) 10mm x 35mm Hex Bolts
- (3) 10mm Lock Washers
- (3) 10mm Flat Washers

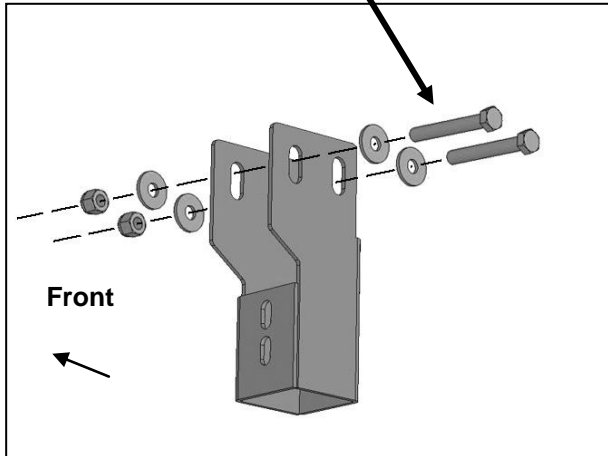
(Fig 23) Attach Bumper to outside of Winch Tray



(Fig 24) Bumper installed with tow hook

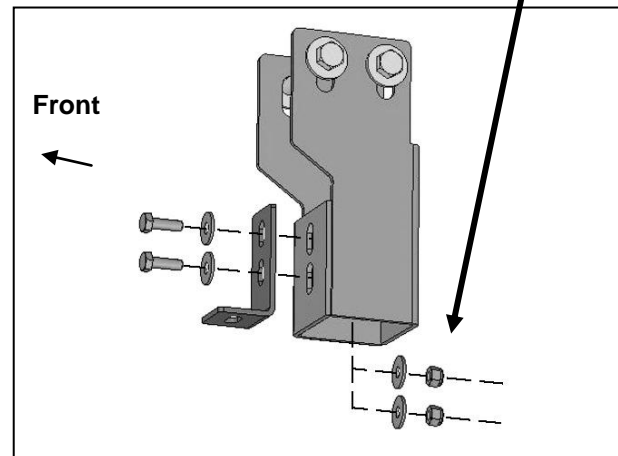
Driver/left Side Installation Pictured

- (2) 12mm x 85mm Hex Bolts
- (4) 12mm x 32mm Large Flat Washers
- (2) 12mm Nylon Lock Nuts



(Fig 25) Attach Frame Extension to frame if not equipped from factory

- (2) 8mm x 25mm Hex Bolts
- (4) 8mm Flat Washers
- (2) 8mm Nylon Lock Nuts

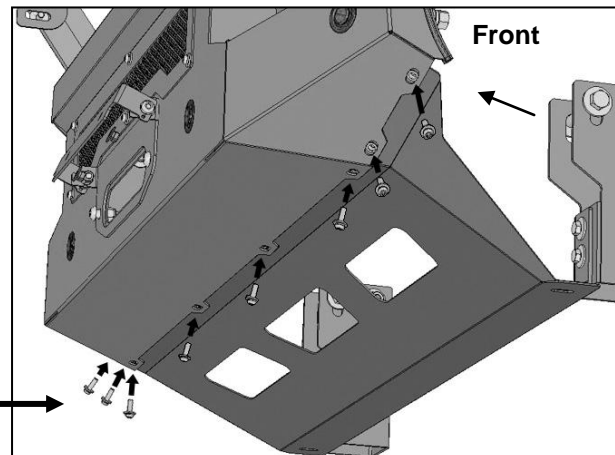


(Fig 26) Attach "L" Bracket to front of Frame Extension (factory or included Extension)



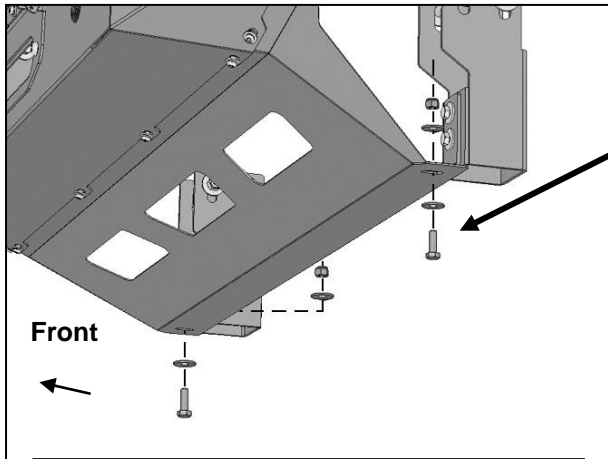
(Fig 27) Driver/left side Extension Bracket and "L" Bracket installation pictured from below

- (8) 6mm Combo Bolts



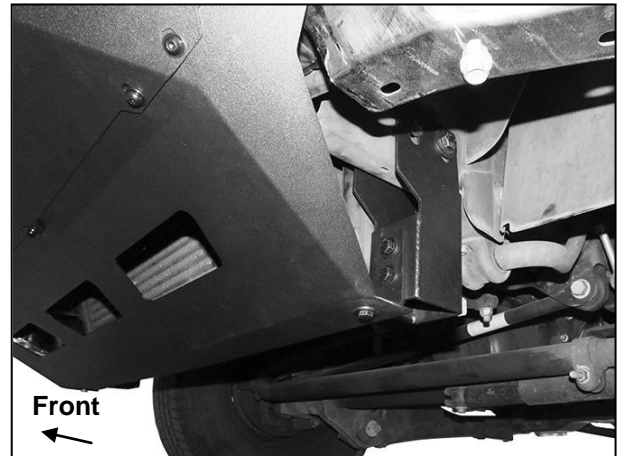
(Fig 28) Attach Skid Plate to bottom of Bumper

Driver/left Side Installation Pictured



- (2) 8mm x 25mm Hex Bolts
- (4) 8mm Flat Washers
- (2) 8mm Nylon Lock Nuts

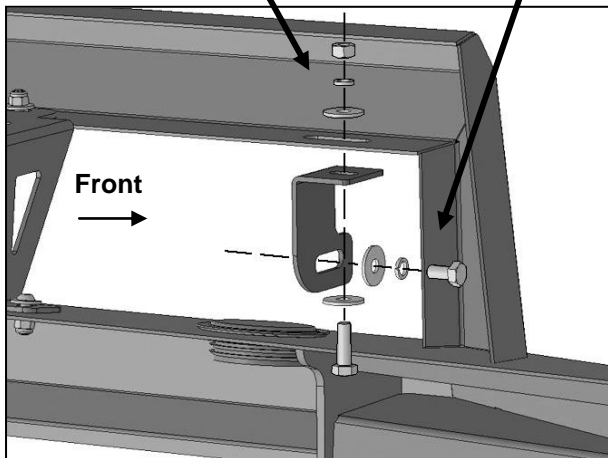
(Fig 29) Attach Skid Plate to "L" Brackets



(Fig 30) Skid Plate installed

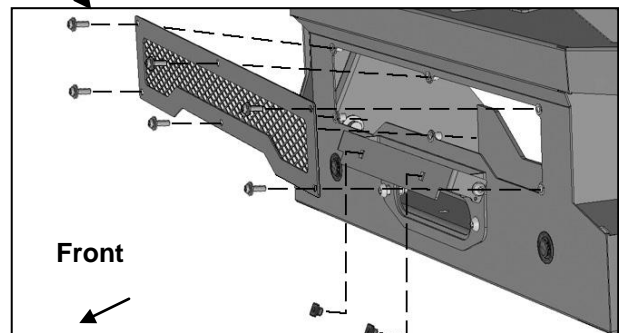
- 8mm x 25mm Hex Bolt
- (2) 8mm Flat Washers
- 8mm Lock Washer
- 8mm Hex Nut

- 8mm x 16mm Hex Bolt
- 8mm Lock Washer
- 8mm Flat Washer



(Fig 31) Attach LED "L" Bracket to Bumper

- (6) 6mm Combo Bolts



- (2) Plastic Plugs

(Fig 32) Attach Fill Panel to front of Bumper (optional). Push Plastic Plugs into License Plate Bracket