



**C-26 AND RPM AIR-GAP DUAL QUAD VORTEC INTAKE MANIFOLDS**  
**For 262-400 c.i.d. Chevrolet V8 with Vortec Cylinder Heads**  
**Catalog #5426 & 7526**

**INSTALLATION INSTRUCTIONS**

**PLEASE** study these instructions carefully before beginning this installation. Most installations can be accomplished with common tools and procedures. However, you should be familiar with and comfortable working on your vehicle. If you do not feel comfortable performing this installation, it is recommended to have the installation completed by a qualified mechanic. If you have any questions, please call our **Technical Hotline at: 1-800-416-8628**, 7:00 am - 5:00 pm, Pacific Standard Time, Monday through Friday or e-mail us at [edelbrock@edelbrock.com](mailto:edelbrock@edelbrock.com).

**IMPORTANT NOTE: Proper installation is the responsibility of the installer.**  
**Improper installation may result in poor performance and engine or vehicle damage.**

**PLEASE** complete and mail your warranty card. Be sure to write the model number of this product in the "Part # \_\_\_\_" space. **THANK YOU.**

**DESCRIPTION:** The Edelbrock Vortec Dual Quad and RPM Air-Gap Vortec Dual Quad intake manifolds have been designed for 283-400 c.i.d. Small Block Chevrolet V8 engines with Vortec style heads. They combine two small four-barrel carburetors with a dual plane manifold layout to achieve the best balance of drivability, great looks, and outstanding performance for muscle car, street rod and marine applications. #7526 features an Air-Gap design, separating the runners from the engine valley for a cooler, denser air charge. It stands 1-5/8" taller than the 5426 and its larger runners offer performance improvements in the 1500-6500 RPM range. Edelbrock has developed special air filters for these manifolds. To give your engine the ultimate custom look, the polished aluminum Elite Series oval air cleaner #4235 is suggested. Chrome oval air cleaner #1235 or two #1209 (6" round) Pro-Flo air cleaners are also available. Please note Bracket section below for your particular installation.

- **ACCESSORIES & INSTALLATION ITEMS:** Major recommendations are listed below. See our catalog for details. **To order a catalog, call (800) FUN-TEAM**, or visit [www.edelbrock.com](http://www.edelbrock.com).
- **EGR SYSTEMS:** These intake manifolds will not accept stock EGR (Exhaust Gas Recirculation) equipment. EGR systems are used on most 1972 and later model vehicles. Check local laws for requirements.
- **THROTTLE & ACCESSORY BRACKETS:** The throttle and kickdown bracket on some vehicles may require modification to fit. These manifolds will not accept 1968 and earlier alternator bracket assemblies and have no provision for ignition coil mounting. Use progressive linkage kit #7094 to connect the carburetors together (See "Carburetor Recommendations").
- **CARBURETOR RECOMMENDATIONS:** Use two manual choke carbs (Two 1404's or two 1804's), or one manual and one electric choke (1403 & 1404, or 1803 & 1804, if electric choke is desired). Note that the Thunder Series carburetors listed under manifold #7526 are calibrated specifically for the 7526 manifold, and in most cases, will not require additional tuning. For manifold 5426, see "Prep and Tuning for Power" for additional tuning information.

**5426:**

CARBURETOR	CHOKE TYPE	PARTS REQUIRED FOR INSTALLATION
Performer #1403 (500 cfm)	Electric	#7094 Dual Quad Throttle Kit, #8088 Dual Quad fuel line kit
Performer #1404 (500 cfm)	Manual	#7094 Dual Quad Throttle Kit, #8088 Dual Quad fuel line kit

**7526:**

CARBURETOR	CHOKE TYPE	PARTS REQUIRED FOR INSTALLATION
Thunder Series #1803 (500 cfm)	Electric	#7094 Dual Quad Throttle Kit, #8088 Dual Quad fuel line kit
Thunder Series #1804 (500 cfm)	Manual	#7094 Dual Quad Throttle Kit, #8088 Dual Quad fuel line kit

**NOTES:** Carburetors each require #8008 or #8024 stud, washer and nut kit. Determine proper length based on gasket thickness and your accessory mounting requirements. If two manual choke Performer Series Carburetors are used and electric choke is desired later on, they can be converted to electric choke using Electric Choke Kit #1478. Use electric choke on the rear carburetor ONLY. Manual choke Thunder Series carburetors CAN NOT be converted to manual choke. If electric choke is desired with Thunder Series carburetors, a manual choke carburetor should be used in the front and an electric choke carburetor should be used at the rear.

- **GASKETS:** Do not use competition-style intake gaskets for this street manifold. Due to material deterioration over time, internal leakage of vacuum, oil, and coolant may occur.

INTAKE MANIFOLD	REFERENCE	RECOMMENDED GASKET
<b>5426, 7526</b>	(None)	Edelbrock #7235 Port: 1.08" x 2.11", .120" Thickness

**NOTE: To ensure maximum performance and a proper seal, Edelbrock gaskets which are specifically designed and manufactured for use with Edelbrock parts must be used.**

- **SPECIAL NOTE:** This intake manifold is primarily intended for use with Vortec-style heads on pre-Vortec blocks. Standard engine blocks route the thermostat bypass water from the block directly to the water pump through the passenger side water pump mounting flange. If the manifold is used on a 1996 or later Vortec engine that does not have the in-block bypass passage, you must route a thermostat bypass hose from the water bypass port on the front of the intake manifold to the 5/8" hose nipple on the passenger side of the Vortec water pump. Use a 3/8" NPT (pipe thread) to 5/8" hose nipple fitting, and a 7" length of 5/8" hose to accomplish this. If your engine block has the thermostat bypass passage, use the 3/8" NPT plug supplied in the kit to plug the bypass port in the front of the intake manifold.

• **PREP AND TUNING FOR POWER:**

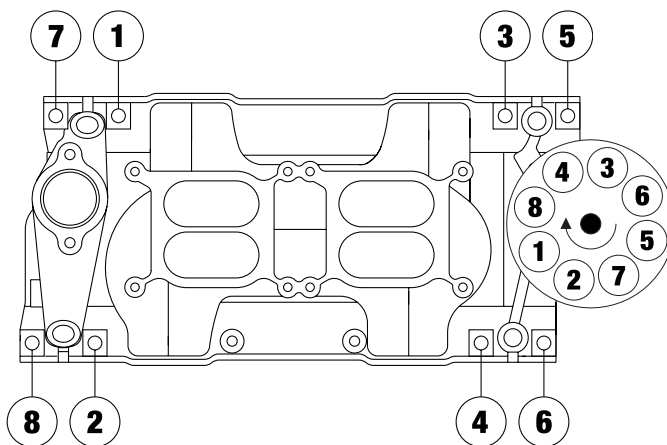
**NOTE:** Please refer to Edelbrock Performer Series Carburetor Owner's Manual for detailed tuning procedures.

1. The 5426 manifold will produce optimum power and drivability when used with #1404 carburetors. Edelbrock has found, while dyno testing our Performer 350ci (310hp) crate engine at our location, the best calibration to be: Metering Rods - .065" x .052", Primary Jets - .086", and Secondary Jets - .095". The 7526 manifold will see optimum performance with the use of 1804 carburetors. The 1804 carburetors are specifically tuned for the 7526 manifold and the stock calibration should be used. Calibrations will vary according to engine build and atmospheric conditions. Use these recommendations as a starting point. Further tuning may be necessary.
2. Aftermarket distributor curve kits may be used with this intake manifold.
3. Use modified or high performance cylinder heads such as our Performer or Performer RPM.
4. Installation of aftermarket headers, camshafts or both may lean carburetor calibration. Should this occur, recalibrate with a richer jet.

**CAMSHAFT AND HEADERS:** Dual Quad manifolds are compatible with aftermarket camshafts and headers. Header primary tube diameter should be 1-5/8" to 1-3/4" depending on the specific engine combination. Edelbrock has developed two camshafts for use with this intake manifold - Performer-Plus #2103 or Torker-Plus #5002. Please check the catalog or website for rpm and application guidelines.

**INSTALLATION PROCEDURE**

1. Use only recommended intake gaskets set when installing this intake manifold.
2. Fully clean the cylinder head intake flanges and the engine block end seal surfaces.
3. Apply Edelbrock Gasgacinch sealant P/N 9300 to both cylinder head flanges and to the cylinder head side of the gaskets, allow to air dry, and attach the intake gaskets.
4. Do not use cork or rubber end seals. Use RTV silicone sealer instead. Apply a 1/4" high bead across each block end seal surface, overlapping the intake gasket at the four corners. This method will eliminate end seal slippage.
5. Apply removable thread lock, such as blue Loctite, to the intake bolt threads. Install the intake manifold bolts. Carefully tighten the intake manifold bolts evenly until the intake manifold has lightly compressed the gasket.
6. Torque all of the manifold bolts in two steps by the sequence shown in Figure 1 to 11 ft/lbs.



**Figure 1 - 262-400 c.i.d. Small Block Chevy Torque Sequence**  
**Torque Bolts to 11 ft/lbs.**  
**Firing Order: 1-8-4-3-6-5-7-2**  
**Turn Distributor Counter-Clockwise to Advance Timing**

**Edelbrock Corporation • 2700 California St. • Torrance, CA 90503**  
**Tech Line: 800-416-8628 • E-Mail: Edelbrock@Edelbrock.com**