

# Installation Instructions

For set # 4.1136

1966-72 Ford Mustang  
Transmission Mount Kit  
Patent# 5551661

**ENERGY**  
**SUSPENSION** 

1131 VIA CALLEJON, SAN CLEMENTE, CA 92673

© 2012 Energy Suspension. All rights reserved.  
May not be reproduced, in any form, or by any means,  
without the written consent of Energy Suspension.

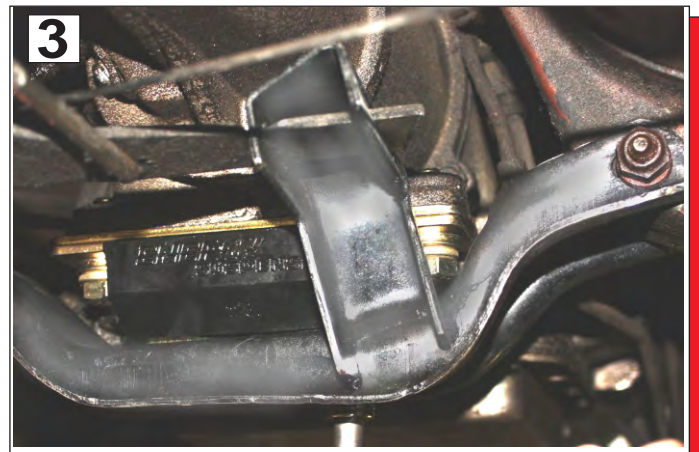
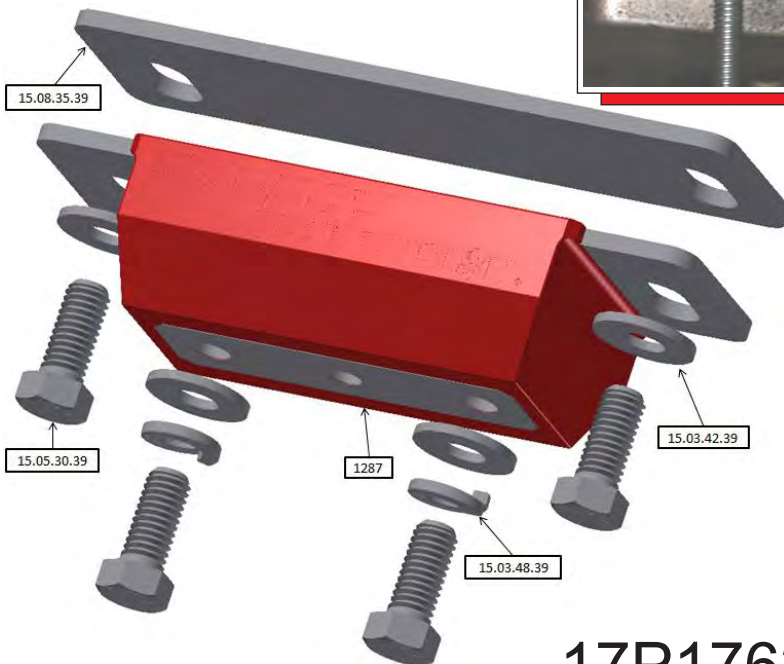
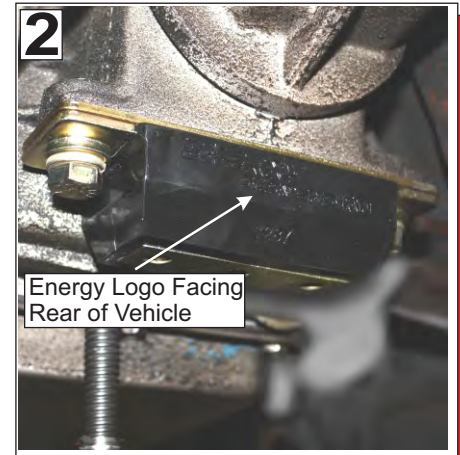
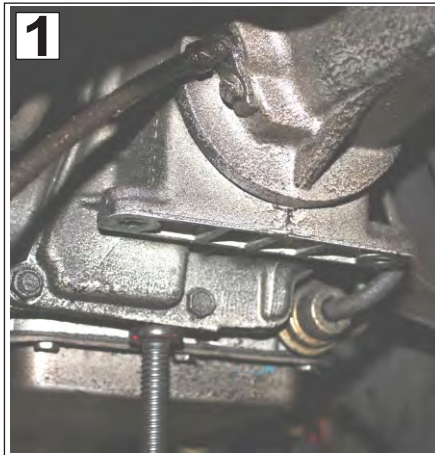
It is recommended that if you are unfamiliar with this type of work that you refer to a qualified service center specializing in this type of work. It is also recommended that if you choose to do this work yourself that a factory service manual be obtained for the proper procedures pertaining to removal, replacement and proper torque specifications for your vehicle. This instruction set is intended as a guideline for the safe installation of Energy Suspension's polyurethane bushings, once you have removed the factory components from your vehicle. Wheel alignment is almost always disturbed when suspension components are removed or replaced. It is recommended that you have the alignment checked on your vehicle at a qualified alignment shop. Energy Suspension recommends that you read over all the installation instructions and check all P/N's and quantities in the parts list before you start. Call customer service at 949-361-3935 if the parts in your kit do not match this parts list. Prior to installation, make sure that your vehicle is in excellent mechanical condition and there are no suspension or steering related problems. This part has been designed to work only with a vehicle that is in good state of repair. No matter how carefully we design our parts, this is one area we have no control over and cannot be held responsible.

## Installation Procedure

- Using a floor or transmission jack, support transmission to secure its position at stock height
- Remove bolts securing the O.E. transmission mount to the cross member
- Lift transmission slightly in order to take pressure off of cross member. Remove cross member and emergency brake linkage assembly
- Unbolt O.E. transmission mount and remove (Pic 1)
- Orientate the new polyurethane transmission mount and backing plate so that mounting holes align and the Energy Suspension logo is facing the rear of the vehicle (Pic 2). Secure transmission mount using the provided hardware and tighten to factory recommended torque
- Install cross member and emergency brake linkage assembly
- Secure the polyurethane transmission mount to the cross member using the provided hardware and tighten to factory recommended torque (Pic 3)

## Parts List

Qty.	Part Number	Description
1	1287	Trans Mount
1	15.08.35.39	Backing Plate
4	15.03.42.39	Flat Washer
2	15.03.48.39	Lock Washer
4	15.05.30.39	Bolt 7/16-14



17P17624

16/OCT/13 JS

Page 1 of 1