

SUPPLEMENT to **ENCORE** INSTALLATION INSTRUCTIONS

2017 Honda Ridgeline

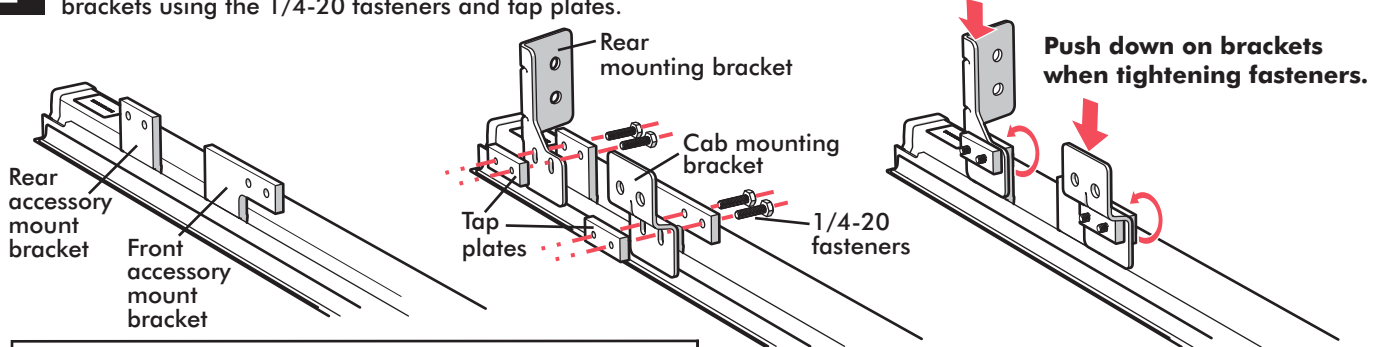


Tools Required:

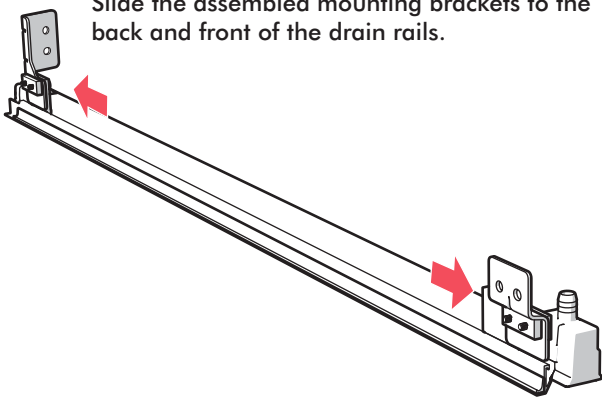


- T50 Torx driver
- 7/16" Wrench
- Drill bit for 3/4" hole

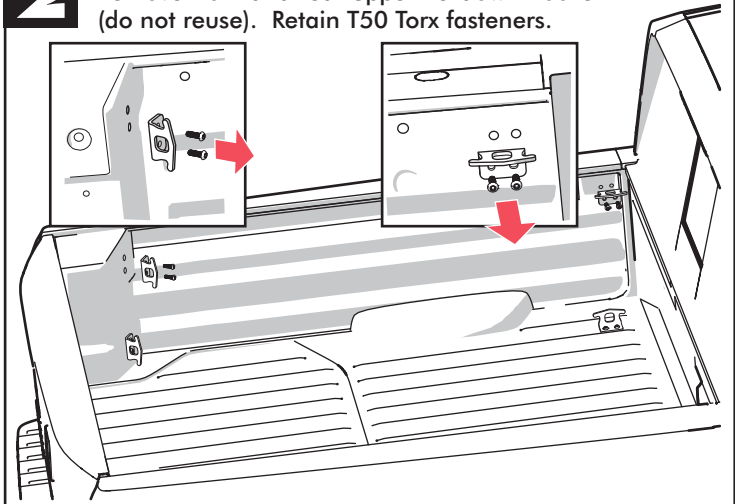
1 The accessory bracket mounts come pre-installed in the drain rail. The first step is to install the cab and tail mounting brackets using the 1/4-20 fasteners and tap plates.



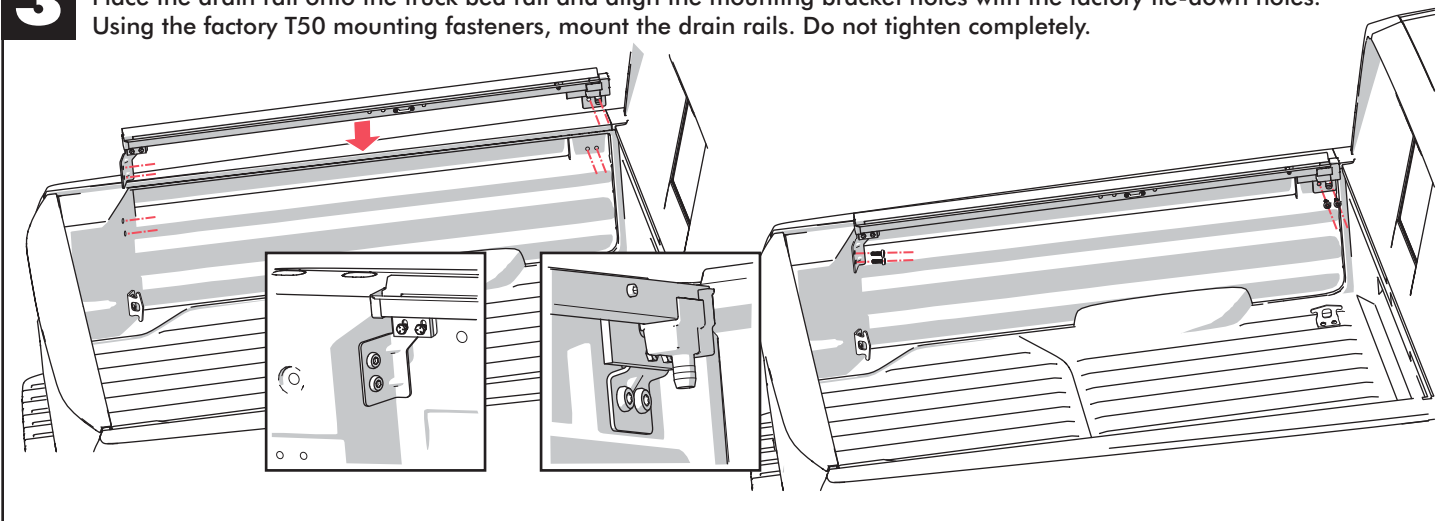
Slide the assembled mounting brackets to the back and front of the drain rails.



2 Remove front and rear upper tie-down hooks (do not reuse). Retain T50 Torx fasteners.



3 Place the drain rail onto the truck bed rail and align the mounting bracket holes with the factory tie-down holes. Using the factory T50 mounting fasteners, mount the drain rails. Do not tighten completely.



Extang Corporation
5400 S. State Road
Ann Arbor, MI 48108
734 677-0444, Fax: 734 677-8409



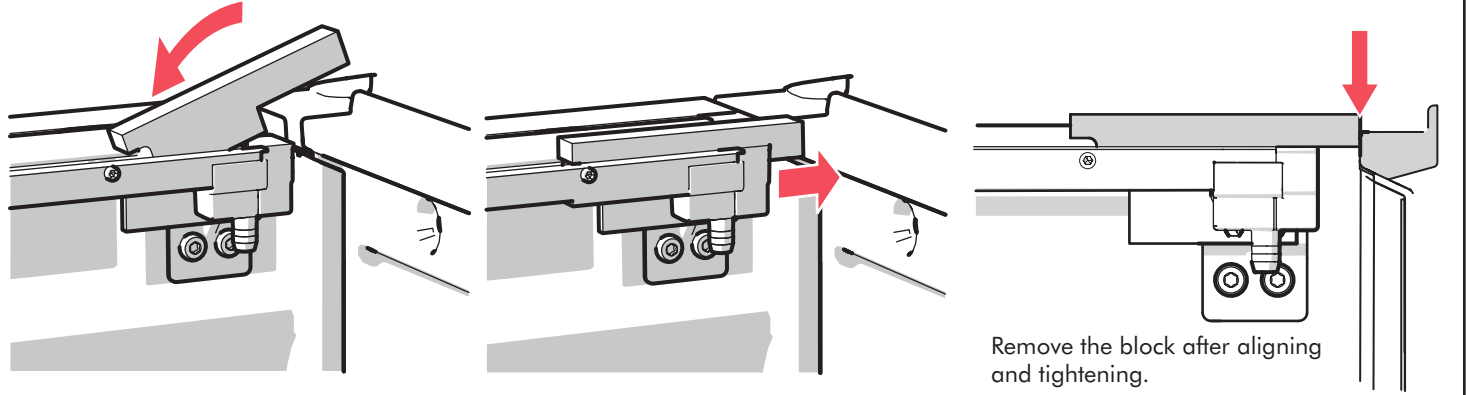
6 2 5 9 0 - 3 0

Register your warranty at:
extang.com

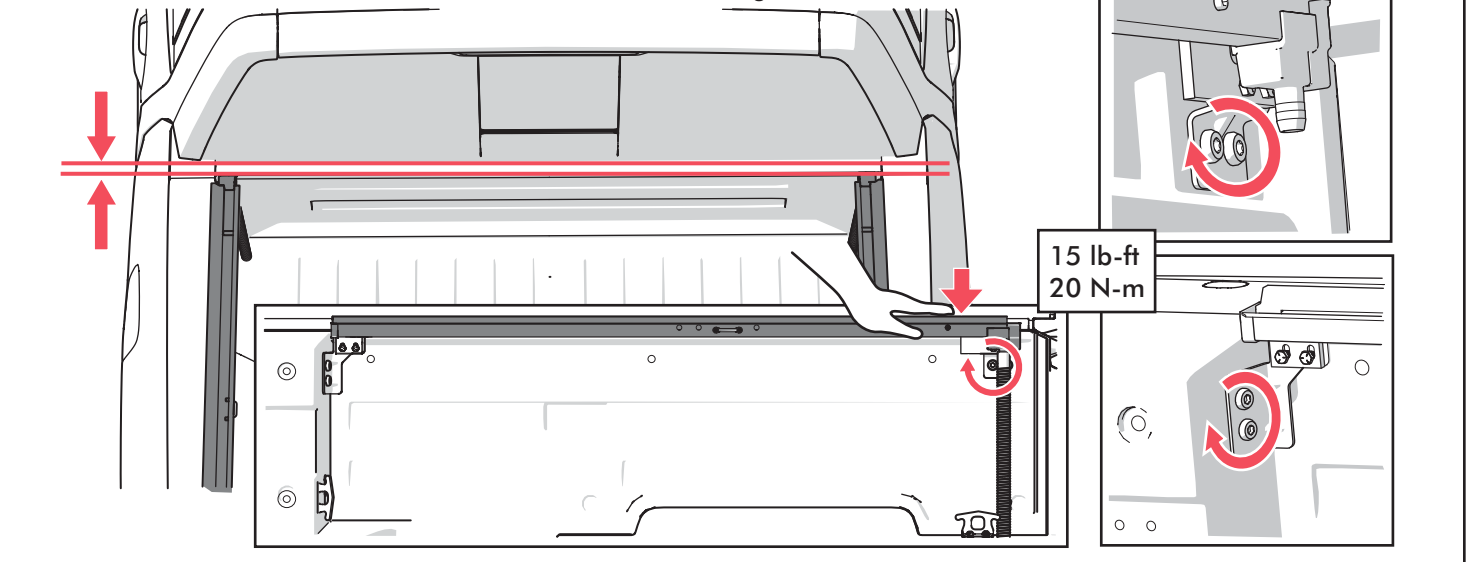
Item No. 62590-30-1610 DD
© Extang Corp. 2016 Printed in U.S.A.

4

A spacer block is included to ensure proper installation. Insert spacer and rotate down against the first drain rail pin. Slide the drain rail assembly forward until the front of the spacer block is even with the cab bulkhead.

**5**

IMPORTANT: Make sure that both drain rails are exactly the same distance from the front of the bed. Push down on the drain rails and tighten the fasteners.

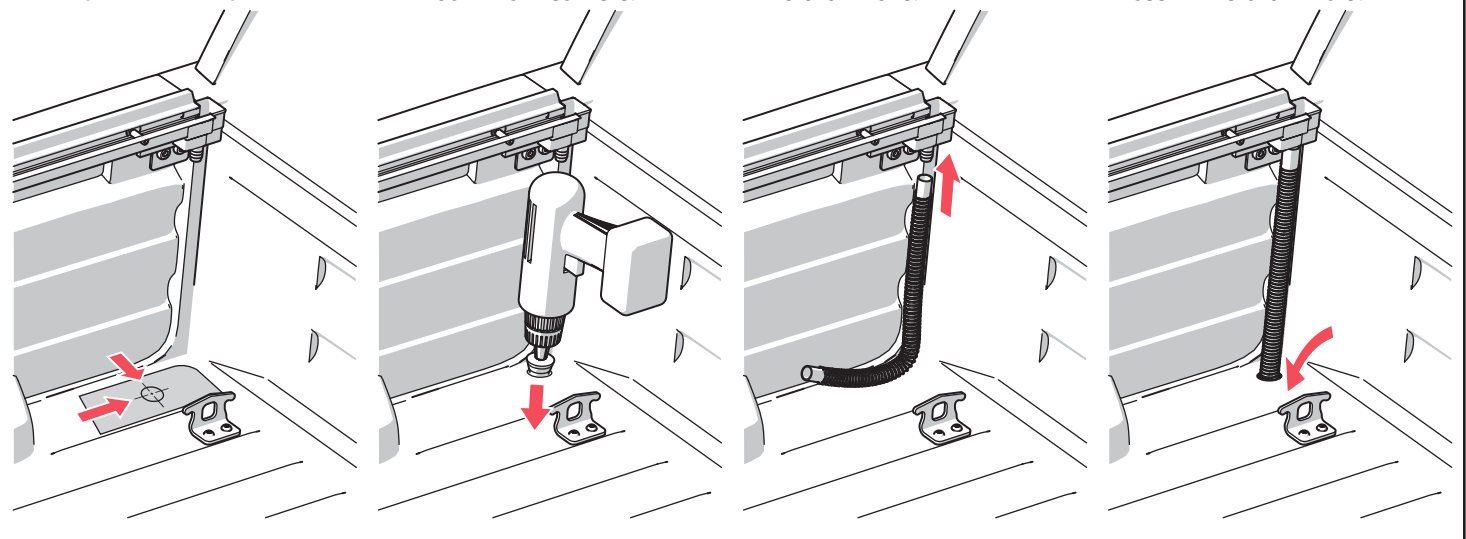
**6**

Mark the holes for the drain tube using the provided template.

Drill 3/4" diameter holes in both front corners.

Attach the hoses onto the drain rails.

Insert the end of the drain hose in the drain hole.



Refer to the Installation Sheet and skip to step 7.

SUPPLEMENT to **ENCORE** INSTALLATION INSTRUCTIONS

2017 Honda Ridgeline

Tools Required:



- Drill and drill bit for 3/4" hole

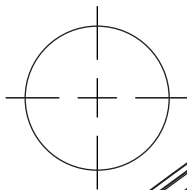


When copying or printing, this dimension should be 6 3/4" or 171.45mm.

Drill Template Driver/Left side

Mark the holes for the drain tube using this template.

3/4" diameter hole



Drill Template Passenger/Right side

Mark the holes for the drain tube using this template.

3/4" diameter hole

