

## AIR CONTROL ACCESSORY KIT

### INSTALLATION INSTRUCTIONS

Congratulations on your purchase of a new Air Control Accessory kit. This kit was designed to provide inflation control of your air helper springs. This kit will be an asset to your vehicle, meeting nearly all of your air supply needs.

Please take a few minutes to read through the instructions, identify the components, and learn how to properly install your Air Control Accessory kit.

### NOTE:

*The Air Control Accessory kit was designed to be used with the WR1-760-2047 Air Compressor Accessory kit or other compressed air source installed on the vehicle.*

*The Air Control Accessory kit can be used with all air helper spring products. If you are installing an air suspension system, do not install the air line tubing to the air springs as stated in the suspension system instruction manual. If you are adding the Air Control Accessory kit to an existing air suspension system, you will need to deflate the air springs and remove the air line tubing.*

### NOTE ON CONNECTING THE AIR LINE TUBING:

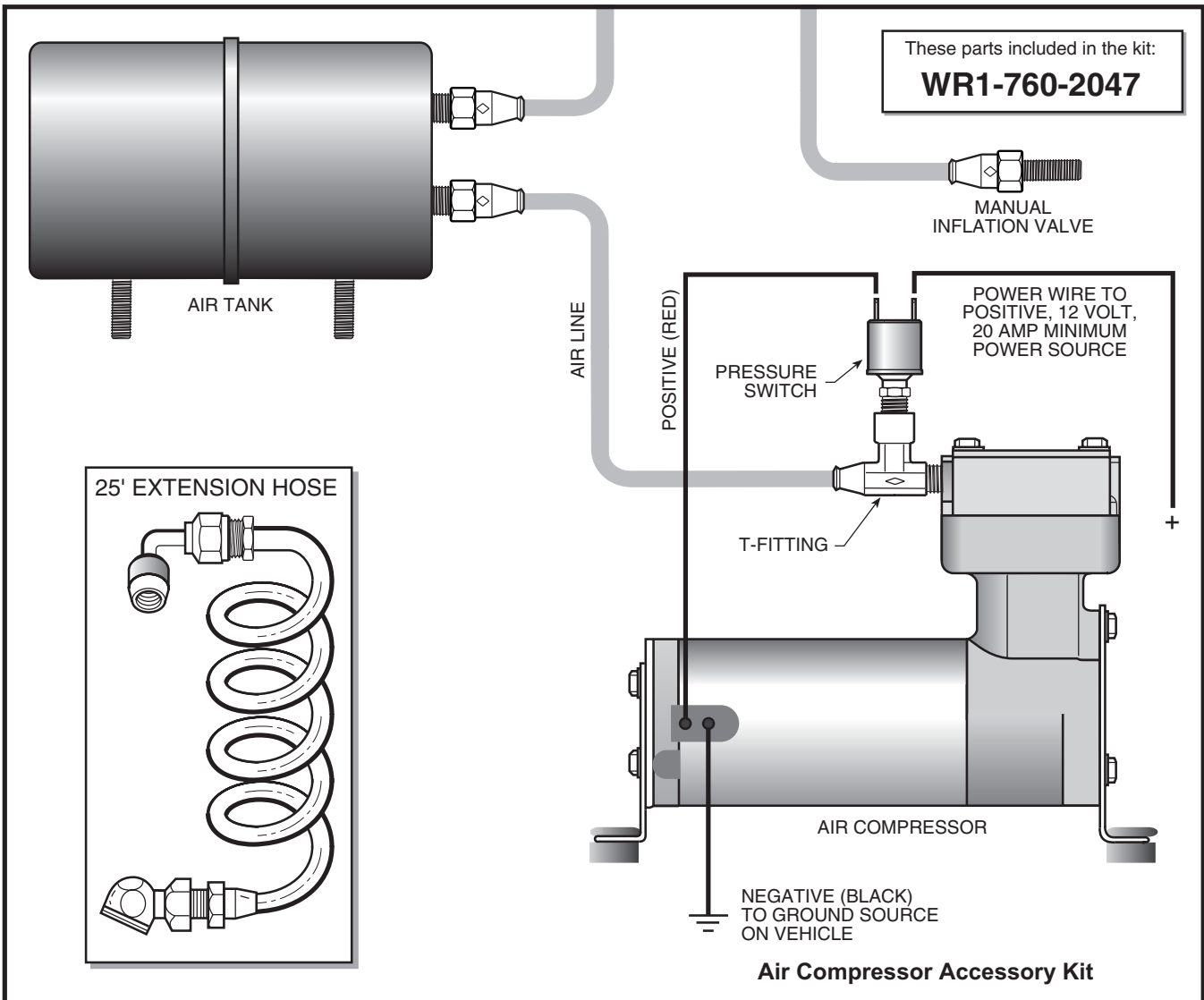
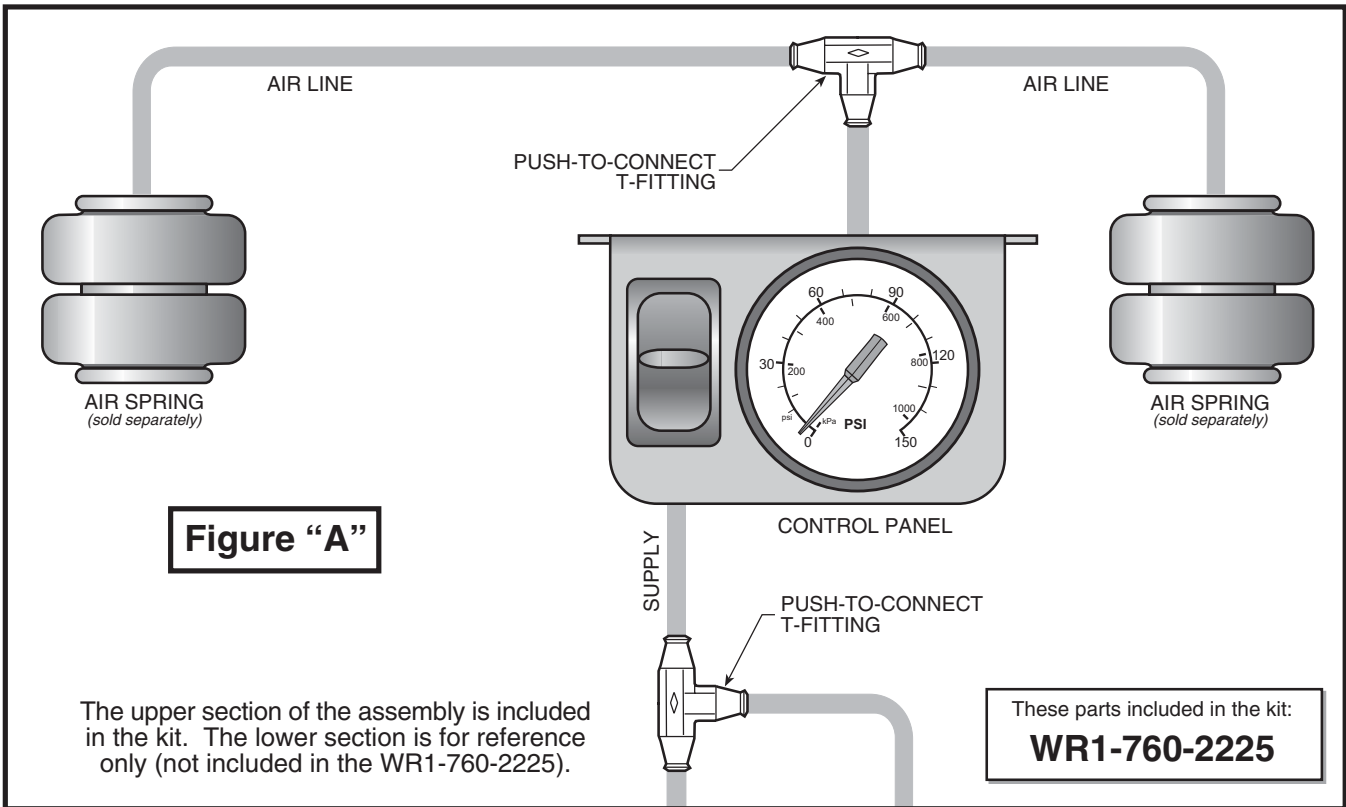
Cut the air line tubing as squarely as possible. To connect the air line tubing to the fittings, push the tubing into the fittings as far as possible. If for any reason the tubing must be removed, first release the air pressure from the air helper spring. Push the collar toward the body of the fitting and the pull out the tubing. To reassemble, make sure the tubing is cut squarely and push the tubing back into the fitting.

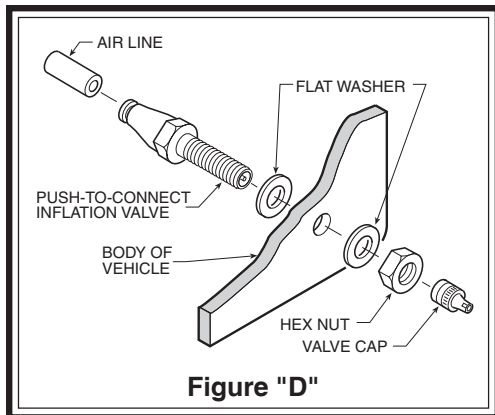
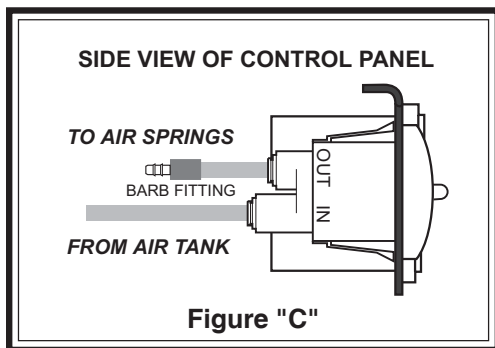
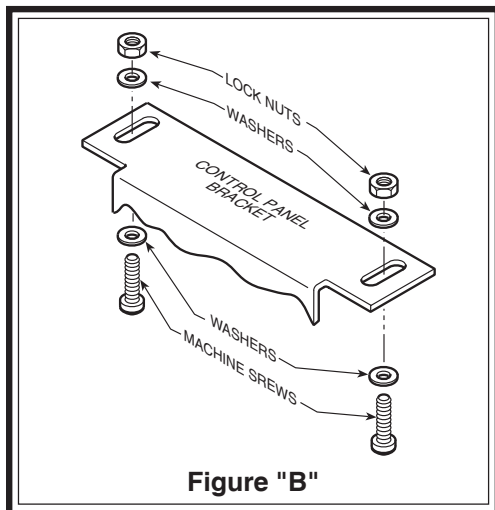
### TOOLS REQUIRED:

- 3/16" DRILL BIT
- 3/8" DRILL BIT
- POWER DRILL
- PLIERS
- WIRE CRIMPER/STRIPPER
- PHILLIPS SCREW DRIVER
- UTILITY KNIFE

### PARTS LIST

SINGLE AIR CONTROL PANEL	1	#10 RING TERMINAL	1
30 FT. AIR LINE TUBING	1	QUICK SPLICE	1
PUSH-TO-CONNECT		FEMALE SPADE TERMINAL	2
T-FITTING	3025		
3			
10 -32 x 1" MACHINE SCREW	2		
10 -32 LOCK NUT	2		
#10 FLAT WASHER	4		
15 FT. 18 GAGE WIRE	1		
NYLON TIE	8		





### STEP 1 - SELECT A MOUNTING LOCATION FOR THE CONTROL PANEL

Select a mounting surface under the dashboard or other protected location. Using the control panel as a template, mark each of the mounting points with a center punch. Drill a 3/16" diameter hole on each center mark *see Figure "B"*. Do not attach the control panel at this time.

### STEP 2 - ROUTE THE AIR LINE

Before installing the air line tubing, ensure that there is no pressure in the air springs. To release the air pressure, remove the valve core from the inflation valves or release the pressure by using a tire gauge to depress the valve stem.

#### A) AIR TANK TO CONTROL PANEL

Cut a piece of air line tubing that will reach from the control panel to the air tank. Cut the air line tubing as squarely as possible and install the tubing into the push-to-connect fitting on the back of the switch marked *IN* *see Figures "A" & "C"*. It may be necessary to drill a hole in the firewall to route the tubing. Ensure that the tubing is protected from sharp edges when passing through the firewall. A rubber grommet may be installed in the hole drilled in the firewall to protect the tubing from chafing. *Do not fold or kink the tubing.*

#### B) CONTROL PANEL TO AIR SPRINGS

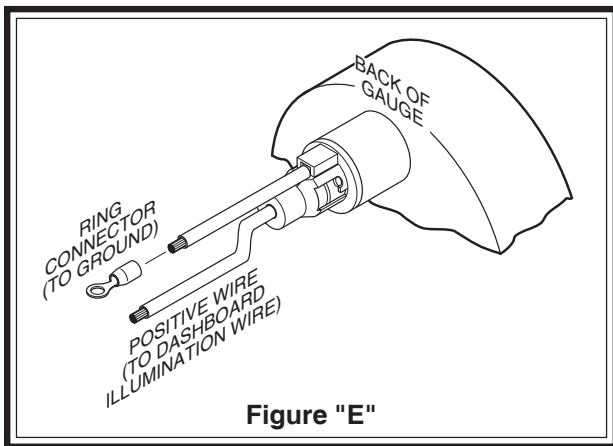
Cut a length of air line tubing that will reach from the control panel to the rear of the vehicle. Slide the tubing as far as possible onto the barbed fitting on the back of the control panel *see Figures "A" & "C"*. Before attaching the air line tubing to the barbed fitting on the gauge panel, soak the end of the tube (1") in hot water for a few minutes to soften the tubing. Do not use pliers to work the tubing on to the barbed fitting, as the tubing may be damaged. Install a T-fitting on the opposite end of the tubing at the rear of the vehicle. Route a length of air line tubing from the T-fitting to each air spring. Use the supplied nylon ties to secure the tubing to the vehicle. Make sure that the tubing is protected from sharp edges when passing through the firewall. *Do not fold or kink the tubing.*

### STEP 3 - INSTALL THE MANUAL INFLATION VALVE

Cut the air line tubing in a convenient location between the control panel and the air tank. Install a push-to-connect T-fitting between the control panel and the air tank *see Figure "A"*. Select a location on the vehicle for the manual inflation valve. This location can be on the bumper or the body of the vehicle, as long as it is in a protected location so the valve will not be damaged, but maintain accessibility for the air chuck *see Figure "A"*. Drill a 5/16" hole and install the air inflation valve using two 5/16" flat washers per valve *see Figure "D"*. Run the tubing from the T-fitting to the inflation valve, routing it to avoid direct heat from the exhaust pipe and away from sharp edges. Secure the tubing with the provided nylon ties. Push the end of the air line tubing into the inflation valve as far as possible *see Figure "D"*.

### STEP 4 - ATTACH THE CONTROL PANEL TO THE DASHBOARD

Place the air control panel on the dash where the holes were drilled in *Step 1*. Using the provided machine screws, hex nuts, and washers, attach the air control panel to the dashboard or other selected mounting surface *see Figure "B"*.



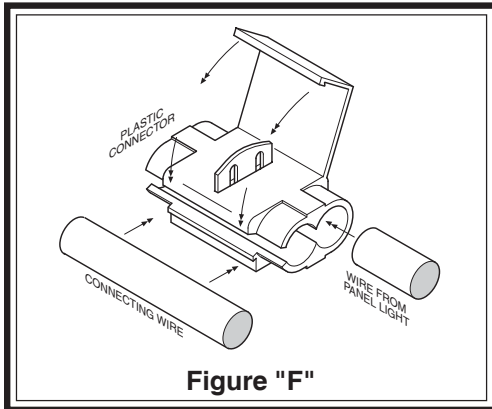
**Figure "E"**

**STEP 5 - WIRE THE CONTROL PANEL FOR ILLUMINATION**

There are two wires (one red and one black) attached to the gauge on the back of the control panel. Connect the red wire to a fused dashboard illumination wire. Connect the black wire to a suitable ground source *see Figure "E"*.

Attach the end of the positive wire to a dashboard illumination wire using a wire connector. Slip the wire connector over the existing dashboard illumination wire and insert the un-stripped gauge panel wire into the wire connector. Close the wire connector onto the wires with pliers *see Figure "F"*. Attach the black wire to a ground source by crimping a ring connector on to the wire and securing it to a suitable ground source on the vehicle. *Note:* Should additional wire

be necessary to reach the dashboard illumination wire and ground source, use 18 gage multi-strand wire.



**Figure "F"**

**STEP 6 - CHECK THE SYSTEM**

With the Air Control Accessory kit, air helper springs, and on-board air compressor system installed, you are ready to test the system. Reattach the negative battery cable. Turn on the vehicle's ignition. The compressor will run for a short period of time to build pressure in the air tank. The compressor will shut off when the air tank reaches approximately 120 psi. When the pressure in the air tank drops to approximately 90 psi, the compressor will run to build pressure in the air tank.

Push the paddle switch up to inflate the air springs. The gauge will display how much air pressure is in the air springs. Inflate the air helper springs to 70 psi and check the fittings for air leaks with an applied solution of soap and water. If a leak is detected at a tubing connection, check to make sure that the tube is cut as square as possible and that it is pushed completely into the fitting. The tubing can easily be removed from the fitting. First, release the pressure from the air system. Push the collar towards the body of the fitting and pull out the tube.

**SYSTEM OPERATION**

The Air Control Accessory kit allows the air springs to be inflated from the inside of the vehicle. Push the paddle switch up to inflate the air springs and push the paddle switch down to deflate the air springs. If the air compressor fails to operate for any reason, air can be introduced into the system by using the manual inflation valve installed with the air accessory kit. This can be accomplished by inflating the system through the manual inflation valve with an air chuck. An extension hose may be attached to the manual inflation valve to assist in inflating tires or other air accessories.



# Do Not Return This Product to the Dealer or Distributor

## If you are

- missing parts,
- experiencing installation problems, or
- have technical concerns regarding this product,

you may contact a Firestone Technical Service Representative at [rrtech@fsip.com](mailto:rrtech@fsip.com) or at 800-888-0650 (option 1, and then option 2). Representatives are available from 7:30 a.m. – 4:30 p.m. Eastern on Monday – Friday, excluding holidays. If you are located outside of the United States, you should first contact your distributor or dealer directly with any issues.

When contacting Technical Service, please have the kit or part # ready, along with the make, model, and year of the vehicle. You may also need to provide details, such as 2WD/4WD or if the vehicle has been lifted or lowered from stock height.

If you have a warranty concern, please include in your email a detailed description of the situation, a photo(s) of the issue, and your contact information, including ship-to address.

**WARRANTY COVERAGE\***— The Ride-Rite™ kits, components, and accessories are warranted against defects in workmanship and materials. This warranty does not cover service or labor charges, neglect...to the product.

### **PERIOD OF COVERAGE:**

- |   |  |
|---|--|
| • Ride-Rite air springs – Lifetime Limited  | • Work-Rite load assists – 2 Years Limited                                       |
| • Sport-Rite air springs – Lifetime Limited | • Air-Rite accessories – 2 Years Limited   |
| • Coil-Rite air springs – Lifetime Limited  | • Brackets, hardware, fittings, air line, and other components – 2 Years Limited |
| • Level-Rite air springs – Lifetime Limited |  |

**HOW TO MAKE A WARRANTY CLAIM** — If you purchased your air springs in the U.S. or Canada and believe you have a part with a warrantable defect, call Firestone directly at 1-800-888-0650.

International customers should contact their distributors or dealers directly with any problems.

(\*) Please refer to the “Firestone Limited Lifetime Air Spring Warranty” for details, terms, and conditions.

## **WARRANTY QUESTIONS**

Go to [www.riderite.com/installation-support](http://www.riderite.com/installation-support)  
Select “Warranty Info” tab