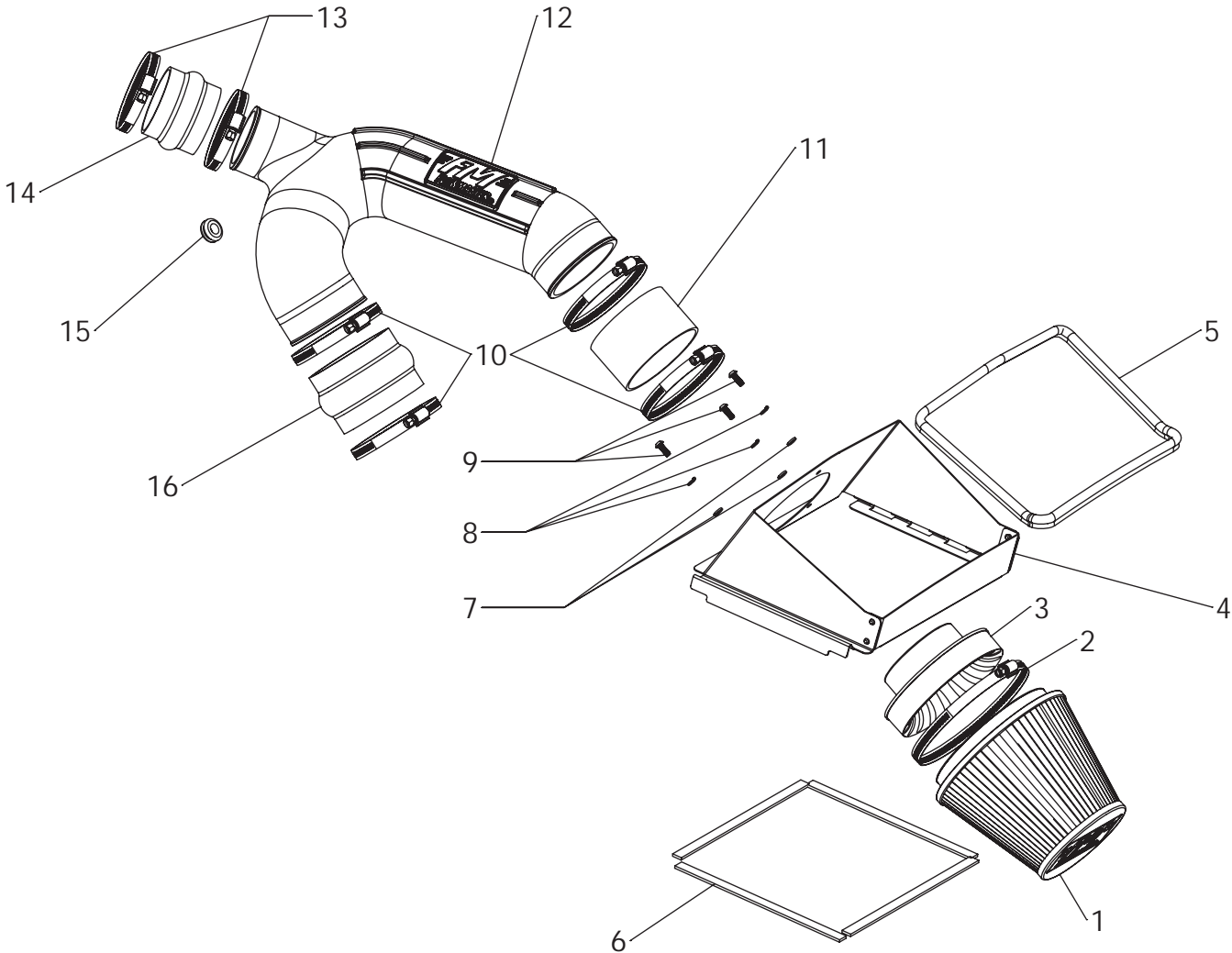




Installation Instructions for: SYSTEM # 315157

2017 FORD F-150
3.5L Engine

THIS INTAKE SYSTEM IS 50-STATE LEGAL FOR THE VEHICLES LISTED ABOVE PER CARB EXECUTIVE ORDER D-698-2. SEE WWW.FLOWMASTERMUFFLERS.COM FOR CARB STATUS OF INTAKE SYSTEMS FOR OTHER VEHICLES.



ITEM NO.	PART NUMBER	DESCRIPTION	QTY.
1	AF1003	AIR FILTER, 6-5/8" x 6" DIA	1
2		SCREW CLAMP, #104 (4-1/8" - 7")	1
3	AF6002	ADAPTER, AIR FILTER 4" x 6"	1
4	AF3031	AIRBOX-COMplete	1
5	49000061	GASKET, HEAT SHIELD	1
6	49000067	SEAL STRIP, ADHESIVE, 1/8" x 1/2"	1
7	HW319	FLAT WASHER, M6	3
8	HW318	LOCK WASHER, M6	3
9	HW244	SCREW, M6 x 1.0 x 16MM	3

ITEM NO.	PART NUMBER	DESCRIPTION	QTY.
10	MC400H	SCREW CLAMP, #64 (3-9/16" - 4-1/2")	4
11	AF4050	COUPLER, STRAIGHT 4" I.D. x 2-1/2" L	1
12	AF2036	INTAKE TUBE	1
13	MC314H	SCREW CLAMP, #52 (2-13/16" - 3-3/4")	2
14	AF4036	COUPLER, FLEX 3" I.D. x 2-1/2" L	1
15	AF4008	GROMMET, 1-1/16" OD x 1/2" ID x 3/16" THK	1
16	AF4005	COUPLER, FLEX 4" I.D. x 3" L	1
*	LB698-2	EXECUTIVE ORDER DECAL	1

REVIEW THE INSTRUCTIONS AND VERIFY THE KIT CONTENTS:

1. Please take a moment to read and understand these instructions before installing your Flowmaster cold air intake kit.



2. Use the parts drawing and list (front page) to verify your kit's contents.

In the unlikely event that any parts are missing, please contact FLOWMASTER Technical Support for replacements.

REMOVE THE FACTORY AIR INTAKE SYSTEM:

NOTES

- We highly recommend that you retain all factory air intake system parts.
 - Please refer to vehicle manufacturer's recommendations regarding removal of factory components.
 - Disconnecting the negative battery cable erases pre-programmed electronic memories. Write down all memory settings before disconnecting the negative battery cable. Some radios will require an anti-theft code to be entered after the battery is reconnected. The anti-theft code is typically supplied with your owner's manual. In the event your vehicle's anti-theft code cannot be recovered, contact an authorized dealership to obtain your vehicle's anti-theft code.
3. Turn off the vehicle's ignition and disconnect the negative battery cable.



4. Loosen the screw clamps on the three ends of the air intake duct.



5. On the back of the intake duct, disconnect the inlet air temperature sensor plug.



6. Release the two airbox cover latches.

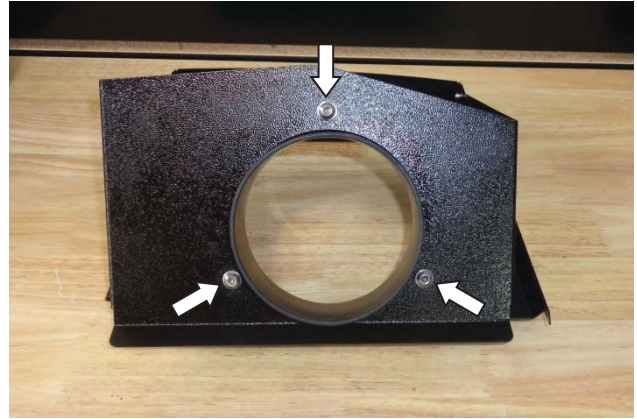


7. Separate the intake duct from the two turbocharger inlets, remove the assembled intake duct and airbox cover from the vehicle, and remove the stock air filter.



8. To remove the inlet air temperature sensor from the intake duct, lift its locking tab, rotate the sensor a quarter-turn counter-clockwise, then pull. Remove the o-ring from the sensor. **CAUTION: The sensor is delicate!** Handle it with care, and store it in a safe location until reinstallation.

ASSEMBLE AND INSTALL YOUR FLOWMASTER COLD AIR INTAKE SYSTEM:



9. Assemble the air filter adapter (3) to the heat shield (4) using the M6 screws (9), lock washers (8) and flat washers (7).



10. Attach the gasket (5) to the heat shield. Firmly press the gasket onto the heat shield, gradually working your way around. When you return to the starting point, use metal-cutting shears to trim the gasket to length.



11. Cut the adhesive seal strip (6) to the lengths required, and apply it to the four edges of the heat shield.



12. Slip screw clamp (2) onto air filter (1), then install the filter on the filter adapter and tighten the clamp.



13. Install grommet (15) in intake tube (12). (Moistening the hole with soapy water will ease insertion.)



14. Slip the two small screw clamps (13) onto the 3" flex coupler (14). Slip two large screw clamps (10) onto the 4" flex coupler (16). Push each coupler onto the intake tube. Snug – do not tighten – only the tube clamps at this time. (Leave the other clamps loose.)



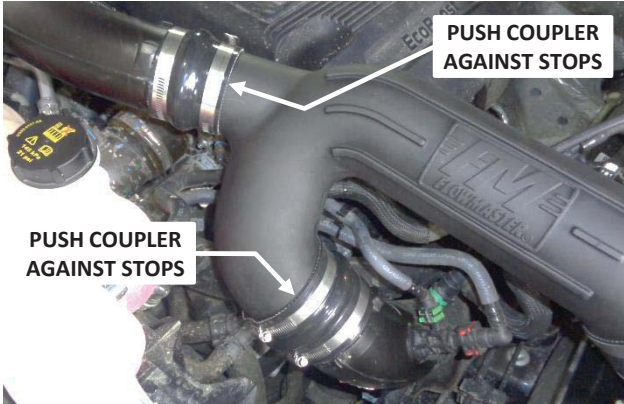
15. Slip the other two large screw clamps (10) onto the 4" straight coupler (11). Install the coupler onto the air filter adapter, pushing it flush against the heat shield, and tighten the clamp. Insert the intake tube in the coupler, and snug – do not tighten – the tube clamp at this time.



16. Insert the four tabs on the heat shield into the slots at the back of the airbox. Lower the tube-heat shield assembly, and connect the two couplers to their turbo ducts. Do not tighten the clamps at this time.



17. Secure the heat shield to the airbox with the two latches.



18. Push each coupler up against its stops on the turbo duct and tighten its turbo duct clamp. Center the intake tube between all the couplers, so that there are approximately equal amounts of tube inserted in each coupler. Then tighten the three screw clamps on the intake tube.



19. Carefully push the inlet air temperature sensor into the grommet and point the locking tab toward the air filter. (Moistening the hole with soapy water will ease insertion.) Reinstall the sensor plug and verify that the connection is secure.

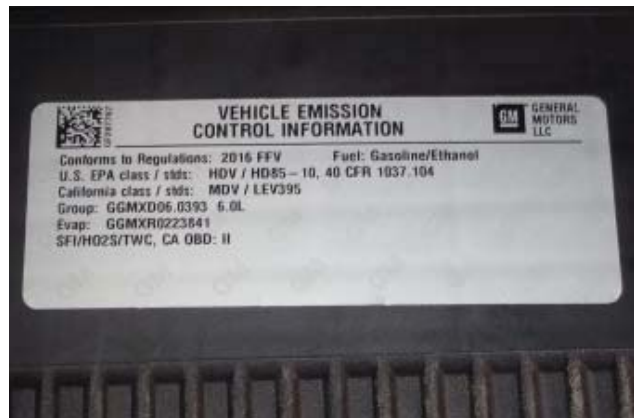


20. Affix the CARB Exemption Order label to a clean, readily-visible location under the hood (e.g., near the hood latch), so an inspector can easily see it at emissions testing.



Congratulations, the installation of your FLOWMASTER performance air intake kit is now complete!

VECI LABEL NOTE



California emissions law requires the Vehicle Emission Control Information (or VECI) label to be readily-visible in the engine compartment.



If your VECI label is affixed to the stock airbox (as shown in the example above), a replacement label must be obtained and affixed to a suitable location in the engine compartment.

Replacement VECI labels can be ordered from the dealership or from on-line suppliers. Be prepared to provide your VIN number, since the label is VIN number-specific.

The VECI label should not be affixed to anything that is easily removed from the vehicle. We recommend that the label be affixed to the underside of the hood, adjacent to the latch. **NOTE: A missing VECI label may result in failure of the vehicle's emissions test.**

IMPORTANT: RETAIN THESE INSTRUCTIONS FOR FUTURE REFERENCE

Flowmaster maintains a highly-trained technical service department to answer your technical questions, provide additional product information and offer various recommendations.

Direct all correspondence and warranty questions to:

Flowmaster
100 Stony Point Rd., Suite 125
Santa Rosa, CA 95401

Flowmaster Technical Service: (707) 544-4761
Monday – Friday: 7:30 am to 5:00 pm Pacific Time
(Closed Saturday and Sunday)

