

READ ME !

Thank you for purchasing a Front Runner Double Jerry Can Holder Spare Strap.

Before you start, take a moment to familiarize yourself with the Fitting Instructions and the components received.

Refer to Page 2 for a list of all the components, quantities and tools required.

IMPORTANT WARNING!

IT IS CRITICAL THAT ALL FRONT RUNNER PRODUCTS BE PROPERLY AND SECURELY ASSEMBLED AND ATTACHED TO YOUR VEHICLE. IMPROPER ATTACHMENT COULD RESULT IN AN AUTOMOBILE ACCIDENT, AND COULD CAUSE SERIOUS BODILY INJURY OR DEATH. YOU ARE RESPONSIBLE FOR ASSEMBLING AND SECURING ALL FRONT RUNNER PRODUCTS TO YOUR VEHICLE, CHECKING THE ATTACHMENTS PRIOR TO USE, AND PERIODICALLY INSPECTING THE PRODUCTS FOR ADJUSTMENT, WEAR AND DAMAGE. THEREFORE, YOU MUST READ AND UNDERSTAND ALL OF THE INSTRUCTIONS AND PRECAUTIONS SUPPLIED WITH YOUR FRONT RUNNER PRODUCT PRIOR TO INSTALLATION OR USE. IF YOU DO NOT UNDERSTAND ALL OF THE INSTRUCTIONS AND CAUTIONS, OR IF YOU HAVE NO MECHANICAL EXPERIENCE AND ARE NOT THOROUGHLY FAMILIAR WITH THE INSTALLATION PROCEDURES, YOU SHOULD HAVE THE PRODUCT INSTALLED BY A PROFESSIONAL INSTALLER OR OTHER QUALIFIED PERSONNEL.

NOTE: Front Runner will not be responsible for any damage caused by the failure to install the product according to these instructions.

Please call us if you have any questions about the installation of this product.

1

GET ORGANIZED

IN THE BOX

1	2 X	Top Strap
2	6 X	M5 Nyloc Nut
3	6 X	M5 Flat Washer
4	1 X	Cross Strap
5	1 X	Jerry Can Holder Base
6	4 X	M4 x 10 Button Head
7	2 X	Latch
8	4 X	M4 Flat Washer
9	4 X	M4 Nyloc Nut
10	4 X	M5 x 12 Button head
11	2 X	Latch Keeper
12	4 X	M8 Half Nut
13	4 X	M8 Schnorr Washer
14	4 X	M8 x 12 Button Head

TOOLS NEEDED

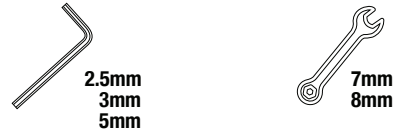
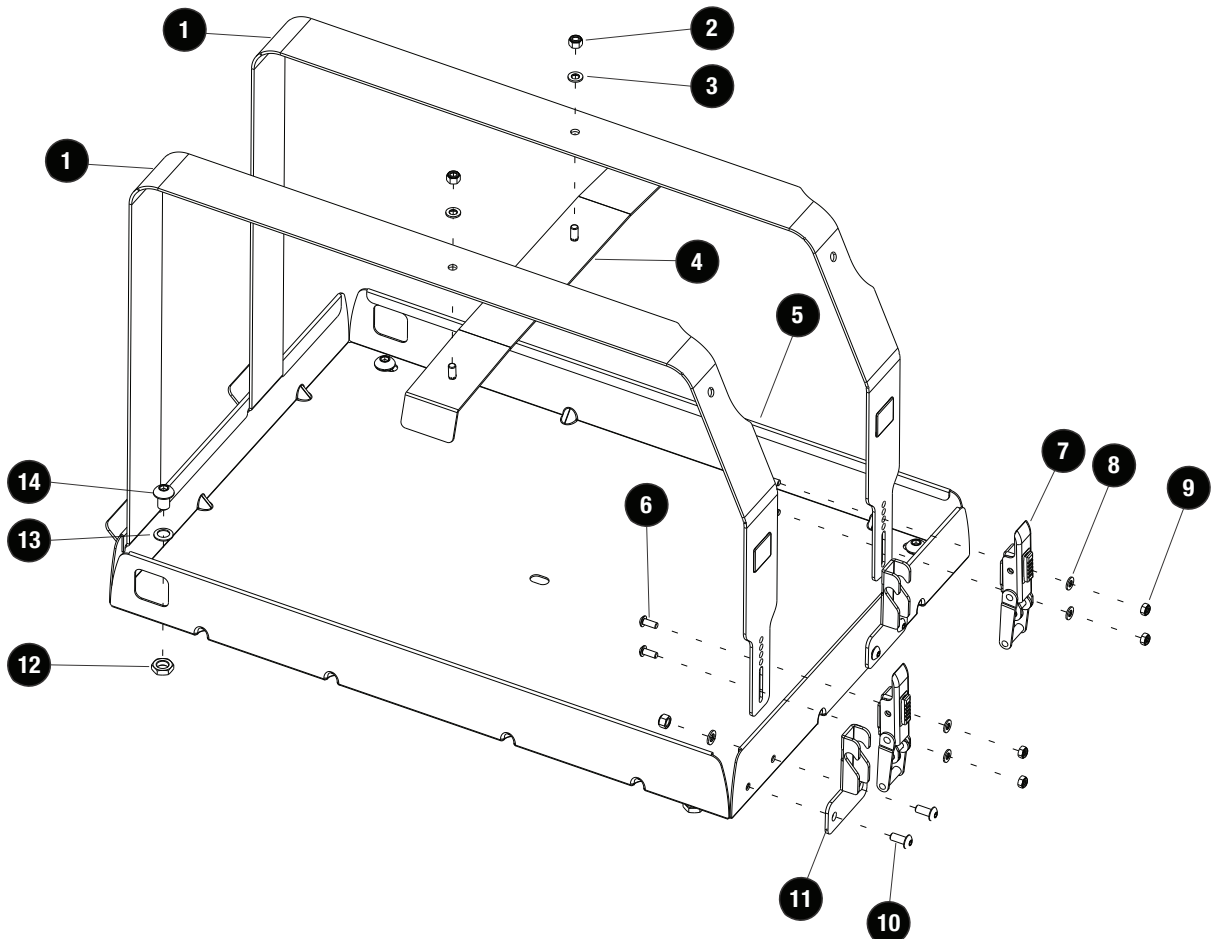


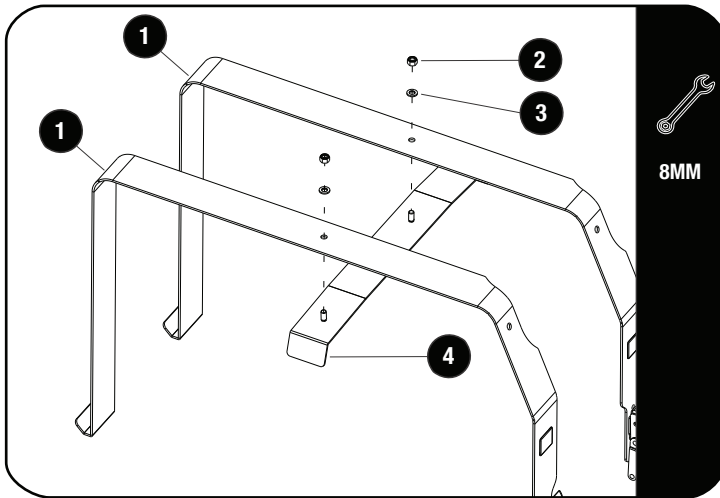
FIGURE 1.1



2

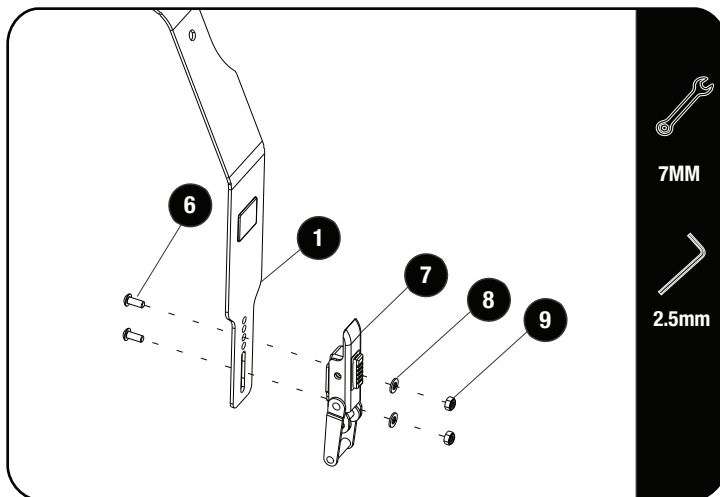
FIT AND SECURE

2.1



Secure the Cross Strap (Item 4) to the Top Straps (Item 1) using two M5 Nyloc Nuts and two M5 x 10 x 1SS Flat Washers (Items 2 & 3) as shown.

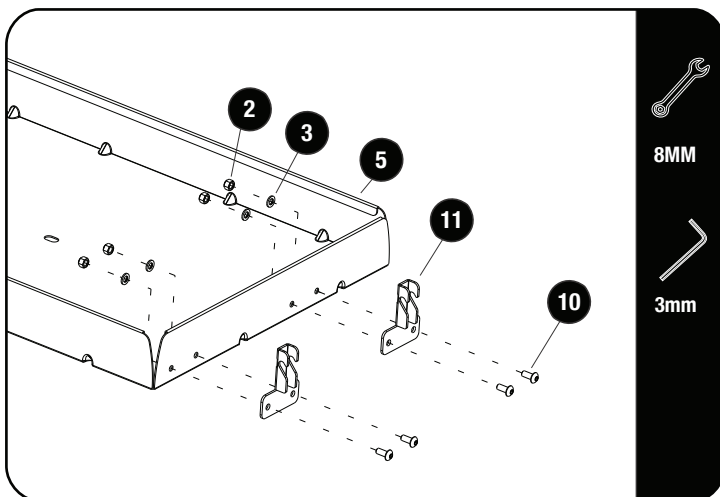
2.2



Loosely fit the Latches (Item 7) to the Top Straps (Item 1) using M4 x 10 Button heads, M4 Flat Washers and M4 Nyloc Nuts (Items 6, 8 & 9) as shown.

In Step 2.4 you will do final adjustments to the Latch before fully tightening.

2.3

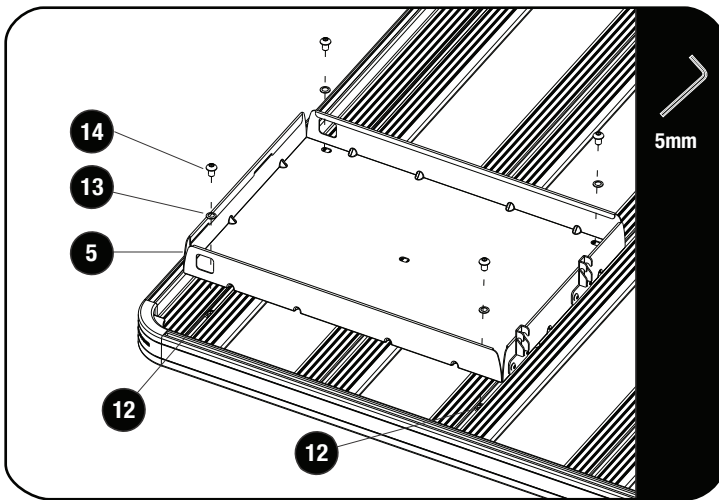


Secure the two Latch Keeper (Item 11) to the Jerry Can Holder Base (Item 5) using four M5 x 12 Button Heads, four M5 Flat Washers and four M5 Nyloc Nuts (Items 10, 3 & 2) as shown.

2

FIT AND SECURE

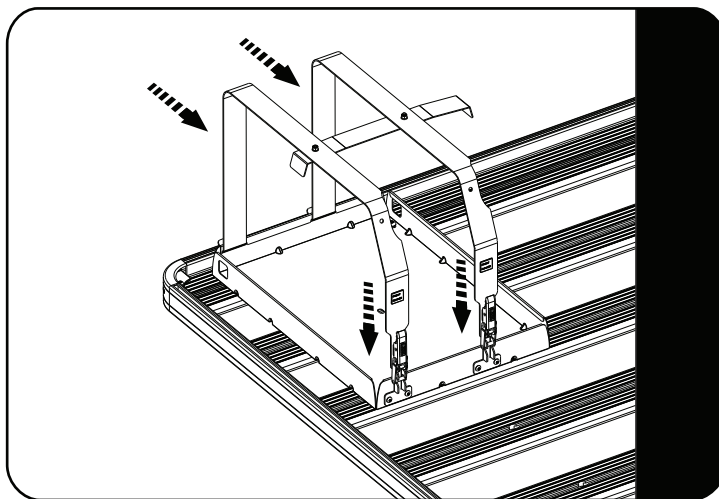
2.4



Decide where on the Rack you want to mount the Jerry Can Holder.

Slide two M8 Half Nuts (Item 12) into each of the chosen slats. Secure the Jerry Can Holder Base (Item 5) to the Rack using M8 x 12 Button Head Bolts and M8 Schnorr Washers (Items 14 & 13) as shown.

2.5



Insert the Top Strap into the slot in the Jerry Can Holder Base.

Place the Jerry Can into the Holder and do final adjustments to the latch, insuring the Jerry Can is securely fastened.

3

FINISH

Congratulations! You did it. Take a step back and admire your work!

4

INSTALL OTHER VEHICLE AND RACK ACCESSORIES

Now's the time to visit your favorite Front Runner Dealer in person or online.

Be sure to tag us. We love to see our gear in action! #FrontRunnerOutfitters #BornToRoam

Share your adventures on: 