**READ ME !** 

Thank you for purchasing Front Runner Wolf Pack Pro Rack Brackets.

Before you start, take a moment to familiarize yourself with the Fitting Instructions and the components received.

Refer to Page 2 for a list of all the components, quantities and tools required.

IMPORTANT WARNING! 

IT IS CRITICAL THAT ALL FRONT RUNNER PRODUCTS BE PROPERLY AND SECURELY ASSEMBLED AND ATTACHED TO YOUR VEHICLE. IMPROPER ATTACHMENT COULD RESULT IN AN AUTOMOBILE ACCIDENT, AND COULD CAUSE SERIOUS BODILY INJURY OR DEATH. YOU ARE RESPONSIBLE FOR ASSEMBLING AND SECURING ALL FRONT RUNNER PRODUCTS TO YOUR VEHICLE, CHECKING THE ATTACHMENTS PRIOR TO USE, AND PERIODICALLY INSPECTING THE PRODUCTS FOR ADJUSTMENT, WEAR AND DAMAGE. THEREFORE, YOU MUST READ AND UNDERSTAND ALL OF THE INSTRUCTIONS AND PRECAUTIONS SUPPLIED WITH YOUR FRONT RUNNER PRODUCT PRIOR TO INSTALLATION OR USE. IF YOU DO NOT UNDERSTAND ALL OF THE INSTRUCTIONS AND CAUTIONS, OR IF YOU HAVE NO MECHANICAL EXPERIENCE AND ARE NOT THOROUGHLY FAMILIAR WITH THE INSTALLATION PROCEDURES, YOU SHOULD HAVE THE PRODUCT INSTALLED BY A PROFESSIONAL INSTALLER OR OTHER QUALIFIED PERSONNEL.

NOTE: Front Runner will not be responsible for any damage caused by the failure to install the product according to these instructions.

Please call us if you have any questions about the installation of this product.

1

GET ORGANIZED

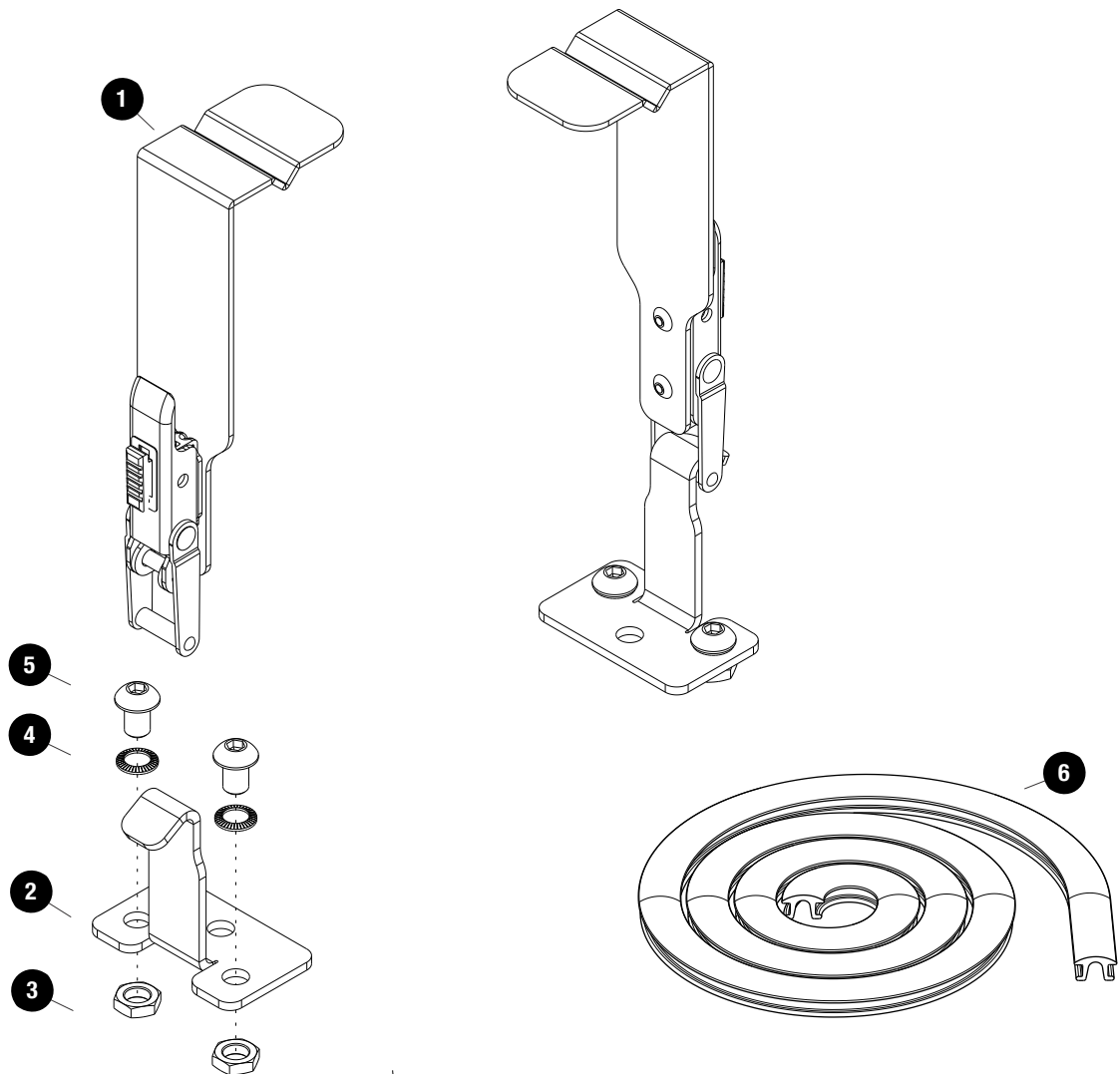
IN THE BOX

1	2 X	Clip & Latch Assembly
2	2 X	Catch
3	4 X	M8 Thin Nut
4	4 X	Schnorr Washer
5	4 X	M8x12 Button Head
6	1 X	T-Slot Rubber (1200mm Long)

TOOLS NEEDED



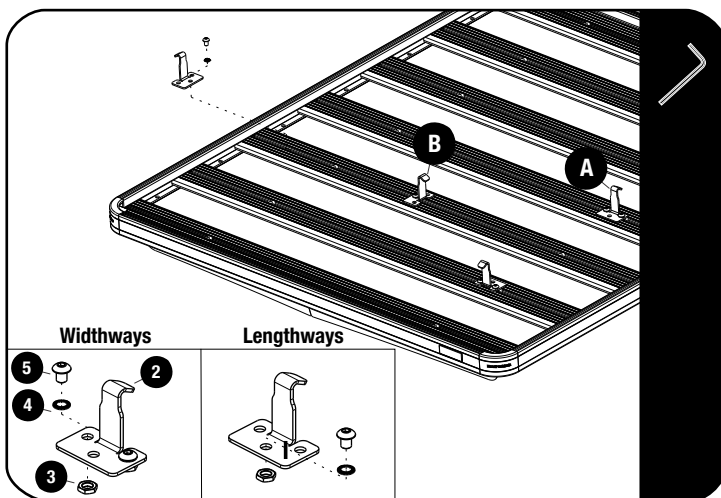
FIGURE 1.1



2

FIT AND SECURE

2.1



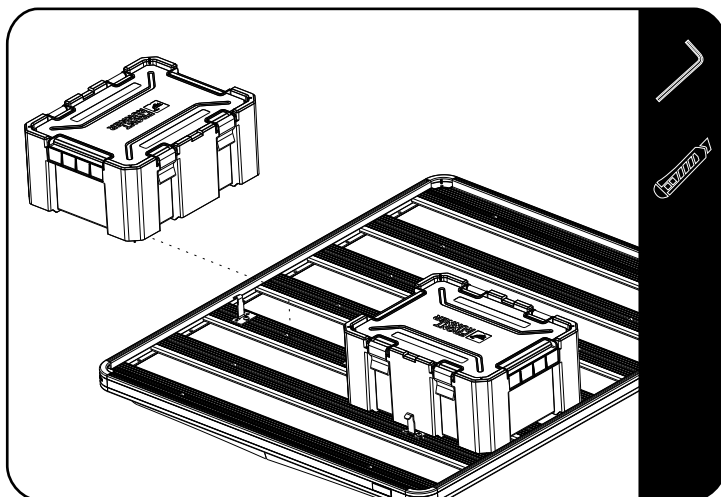
Decide where on the rack you want to fit your Wolf Pack Pro. (Sold Separately SBOX31).

A- Widthways

B- Lengthways

Slide M8 thin nuts (Item 3) in the chosen slats. Loosely fit the Wolf Pack catch brackets as shown using, M8x12 Button Head, M8 Schnorr Washer & M8 Thin Nut (Items 3, 4 & 5).

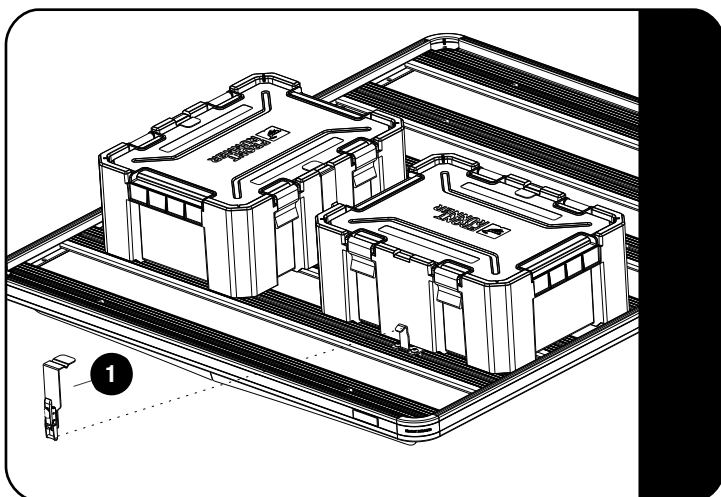
2.2



Use the T-slot rubber (Item 6) included and insert into the T-slot to help prevent cargo from moving and to protect your rack.

Place your Wolf Pack Pro onto the rack between the Wolf Pack Pro catch brackets. Move brackets against the Wolf Pack Pro before fully tightening.

2.3



Secure the Wolf Pack Pro using the Clip & Latch assembly.

3

FINISH

Congratulations! You did it. Take a step back and admire your work!

4

INSTALL OTHER VEHICLE AND RACK ACCESSORIES

Now's the time to visit your favorite Front Runner Dealer in person or online.

Be sure to tag us. We love to see our gear in action! #FrontRunnerOutfitters #BornToRoam

Share your adventures on: 