

READ ME !

Thank you for purchasing a Front Runner Ford F150 Super Crew (2021 - Current) Slimsport Rack Wind Fairing. Before you start, take a moment to familiarize yourself with the Fitting Instructions and the components received. Refer to Page 2 for a list of all the components, quantities and tools required.

IMPORTANT WARNING!

IT IS CRITICAL THAT ALL FRONT RUNNER PRODUCTS BE PROPERLY AND SECURELY ASSEMBLED AND ATTACHED TO YOUR VEHICLE. IMPROPER ATTACHMENT COULD RESULT IN AN AUTOMOBILE ACCIDENT, AND COULD CAUSE SERIOUS BODILY INJURY OR DEATH. YOU ARE RESPONSIBLE FOR ASSEMBLING AND SECURING ALL FRONT RUNNER PRODUCTS TO YOUR VEHICLE, CHECKING THE ATTACHMENTS PRIOR TO USE, AND PERIODICALLY INSPECTING THE PRODUCTS FOR ADJUSTMENT, WEAR AND DAMAGE. THEREFORE, YOU MUST READ AND UNDERSTAND ALL OF THE INSTRUCTIONS AND PRECAUTIONS SUPPLIED WITH YOUR FRONT RUNNER PRODUCT PRIOR TO INSTALLATION OR USE. IF YOU DO NOT UNDERSTAND ALL OF THE INSTRUCTIONS AND CAUTIONS, OR IF YOU HAVE NO MECHANICAL EXPERIENCE AND ARE NOT THOROUGHLY FAMILIAR WITH THE INSTALLATION PROCEDURES, YOU SHOULD HAVE THE PRODUCT INSTALLED BY A PROFESSIONAL INSTALLER OR OTHER QUALIFIED PERSONNEL.

NOTE: Front Runner will not be responsible for any damage caused by the failure to install the product according to these instructions. Please call us if you have any questions about the installation of this product.

1

GET ORGANIZED

IN THE BOX

1	1 X	Wind Fairing
2	2 X	Wind Fairing Side Support 1LH & 1RH
3	2 X	Wind Fairing Mid Support
4	2 X	Light Bar Bracket 01 1LH & 1RH
5	2 X	Light Bar Bracket 02
6	10 X	M6x16 Flange Button Head
7	4 X	M8 x 16 Hex Head Bolt
8	4 X	M8 Nyloc Nut
9	4 X	M8 Nut Cap
10	1 X	Wind Fairing Rubber (1200mm)

TOOLS NEEDED

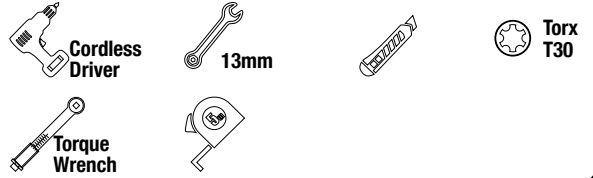
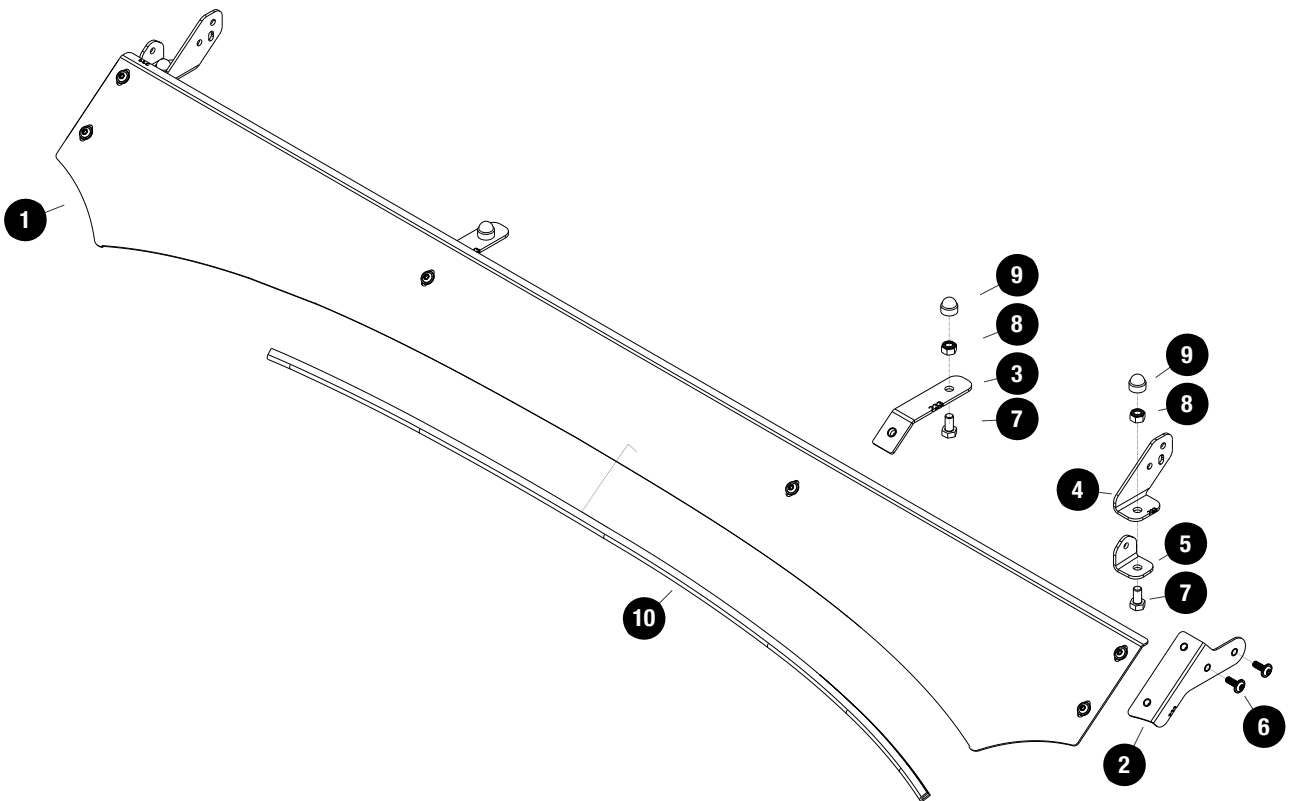


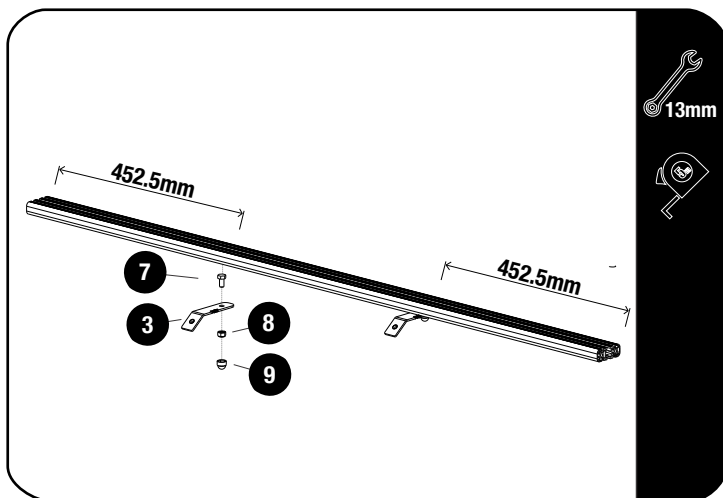
FIGURE 1.1



2

FIT AND SECURE

2.1



Measure 452.5mm inward from both ends of the slat and center both Mid Support Brackets on these points. secure using M8 x 16 Hex Head Bolts and M8 Nyloc Nuts (Items 7 & 8). Fully tighten.

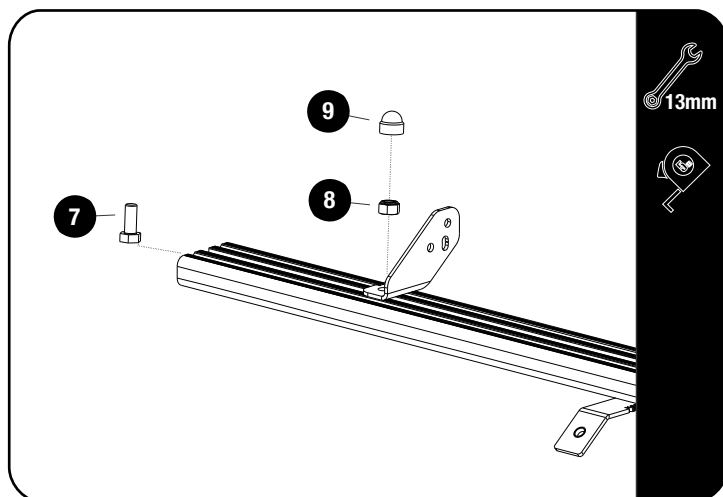
Place M8 Nut Caps (Item 9) over the Nyloc Nuts.



Tightening Torque:

M8 : 15-20Nm / 11.06 ft lb - 14.75 ft lb

2.2



Fit the Light Bar Bracket 01 LH / RH (Item 4) for the 40" Light Bar, using M8 x 16 Hex Bolts & M8 Nyloc Nuts (Items 7 & 8). Using the light bar centre the brackets before tightening.

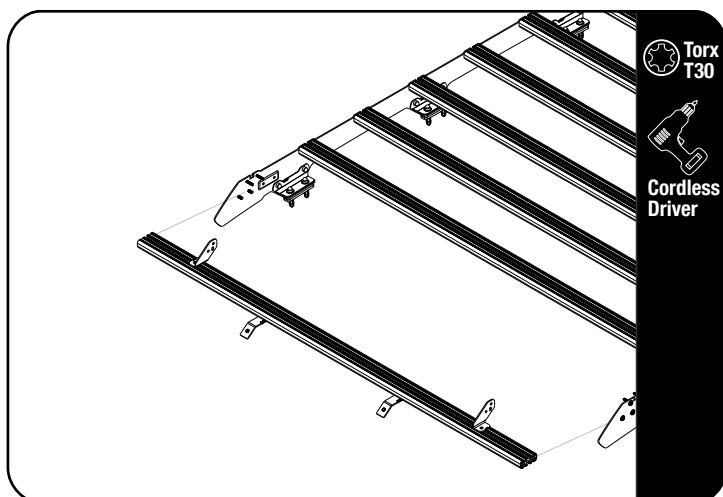
Place M8 Nut Caps (Item 9) over all Hex Bolts.



Tightening Torque:

M8 : 15-20Nm / 11.06 ft lb - 14.75 ft lb

2.3



Secure assembly 2.2 to the front two top holes on the foot rails using the fasteners supplied with KSFF001.

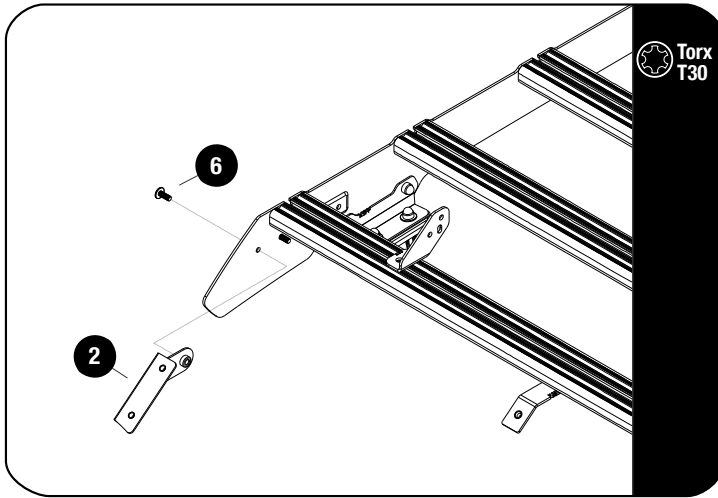


Tightening Torque 8-10Nm / 5.9 ft lb - 7.38 ft lb.

2

FIT AND SECURE

2.4



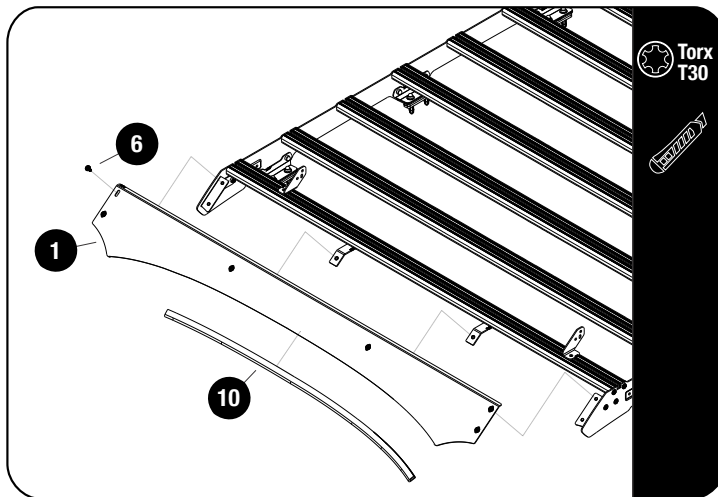
Secure the Wind Fairing Side Supports LH / RH (Item 2) to the foot rails bottom holes as shown using M6 x 16 Flange Button Head (Item 6).



Tightening Torque:

M6 : 8-10Nm / 5.9 ft lb - 7.38 ft lb

2.5



Fit the Wind Fairing Rubber (Item 10) to the Wind Fairing (Item 1). Using the notched section as a guide, trim if needed.

Secure the Wind Fairing assembly to the rack assembly, using M6 x 16 Flange Button Heads (Item 6) and fully tighten.



Tightening Torque:

M6 : 8-10Nm / 5.9 ft lb - 7.38 ft lb

3

FINISH

Congratulations! You did it. Take a step back and admire your work!

4

INSTALL OTHER VEHICLE AND RACK ACCESSORIES

Now's the time to visit your favorite Front Runner Dealer in person or online.

Be sure to tag us. We love to see our gear in action! #FrontRunnerOutfitters #BornToRoam

Share your adventures on:

