



FRONT RUNNER

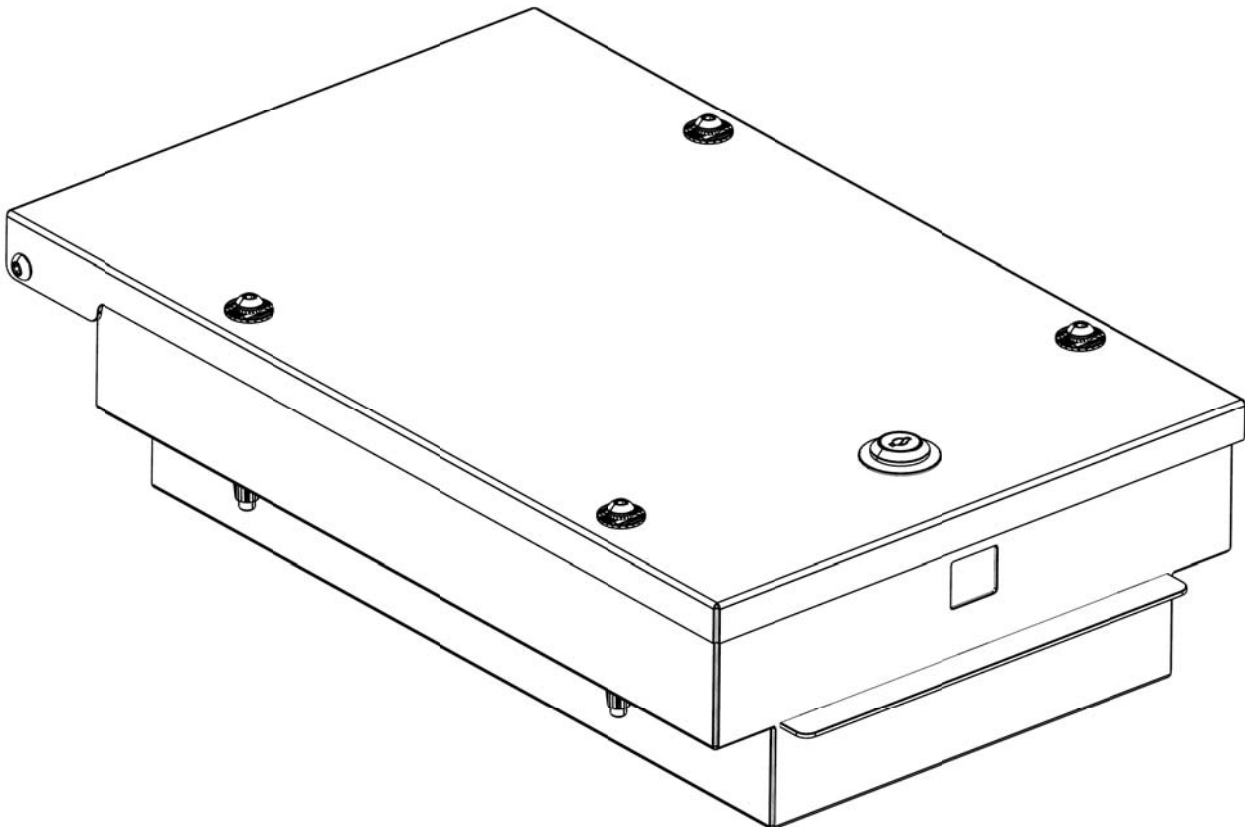
**LAND ROVER DEFENDER
UNDER CONSOLE SAFE**

ENG

SAFE008



INSTALL TIME: 30 mins



IMPORTANT WARNING!

IT IS CRITICAL THAT ALL FRONT RUNNER PRODUCTS BE PROPERLY AND SECURELY ASSEMBLED AND ATTACHED TO YOUR VEHICLE. IMPROPER ATTACHMENT COULD RESULT IN AN AUTOMOBILE ACCIDENT, AND COULD CAUSE SERIOUS BODILY INJURY OR DEATH TO YOU OR TO OTHERS. YOU ARE RESPONSIBLE FOR ASSEMBLING AND SECURING ALL FRONT RUNNER PRODUCTS TO YOUR VEHICLE, CHECKING THE ATTACHMENTS PRIOR TO USE, AND PERIODICALLY INSPECTING THE PRODUCTS FOR ADJUSTMENT, WEAR, AND DAMAGE. THEREFORE, YOU MUST READ AND UNDERSTAND ALL OF THE INSTRUCTIONS AND CAUTIONS SUPPLIED WITH YOUR FRONT RUNNER PRODUCT PRIOR TO INSTALLATION OR USE. IF YOU DO NOT UNDERSTAND ALL OF THE INSTRUCTIONS AND CAUTIONS, OR IF YOU HAVE NO MECHANICAL EXPERIENCE AND ARE NOT THOROUGHLY FAMILIAR WITH THE INSTALLATION PROCEDURES, YOU SHOULD HAVE THE PRODUCT INSTALLED BY A PROFESSIONAL INSTALLER OR OTHER QUALIFIED PERSONNEL.

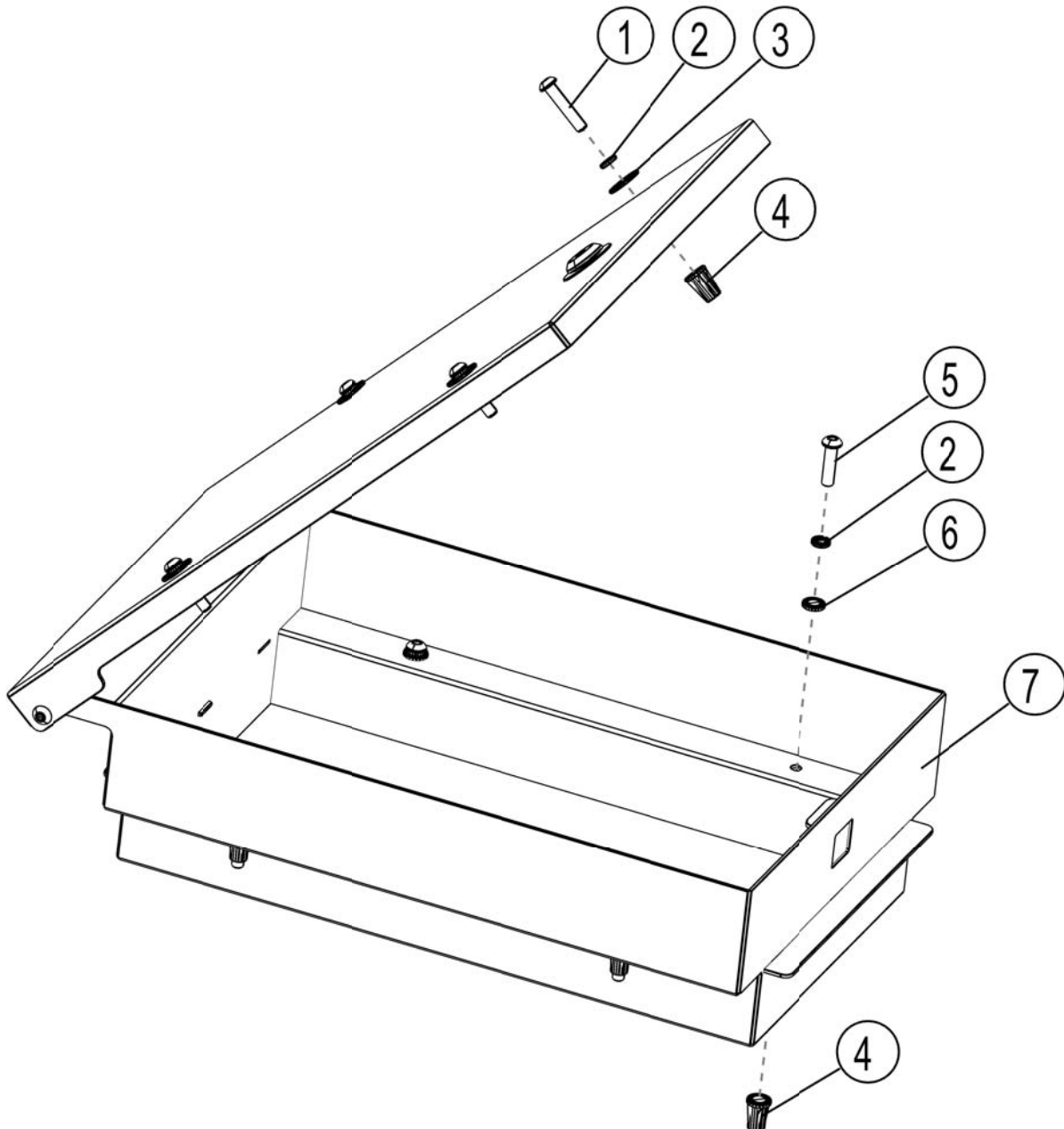
1 GET ORGANIZED

Here is what you are looking at:

Item #	Quantity	Description
1	4	M6 x 30 BUTTON HEAD BOLT
2	8	M6 SPRING WASHER
3	4	M6 x 19 FLAT WASHER
4	8	M6 RIVNUT
5	4	M6 x 25 BUTTON HEAD BOLT
6	4	M6 FLAT WASHER
7	1	UNDER CONSOLE SAFE

You will need:

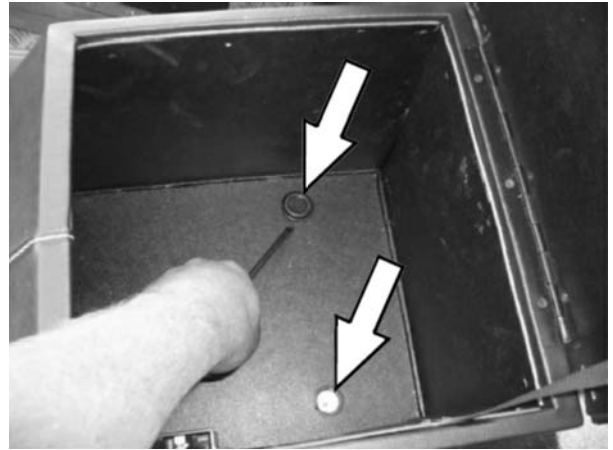
- 4 mm Hex Key
- Drill Machine
- 4 mm & 9 mm Drill Bit
- Measuring Tape
- Suitable Marker
- 30 mm Hole Saw
- Rivnut Tool
- Star / Phillips Screwdriver



(A) Familiarize yourself with the parts and then step away from the work area and read through these instructions from beginning to end. Take a moment as a little prep now may save you a lot of time later.

2 INSTALL SAFE

- (A) Open the center console and remove the plastic plugs as indicated. Loosen and remove the bolts found below the plastic plugs.



- (B) Looking at the front of the center console, remove the cup holders or lift the carpeted flap (model dependant) to gain access to the two front mounting bolts. Loosen the two bolts and remove the console from the vehicle.

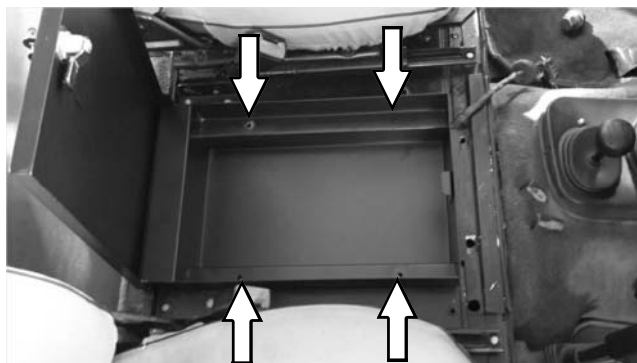


- (C) Loosen and remove the cover plate as shown. You will need to remove the electrical socket from its bracket and feed it through the cover plate, before refitting it back to its original position.



2 INSTALL SAFE CONT...

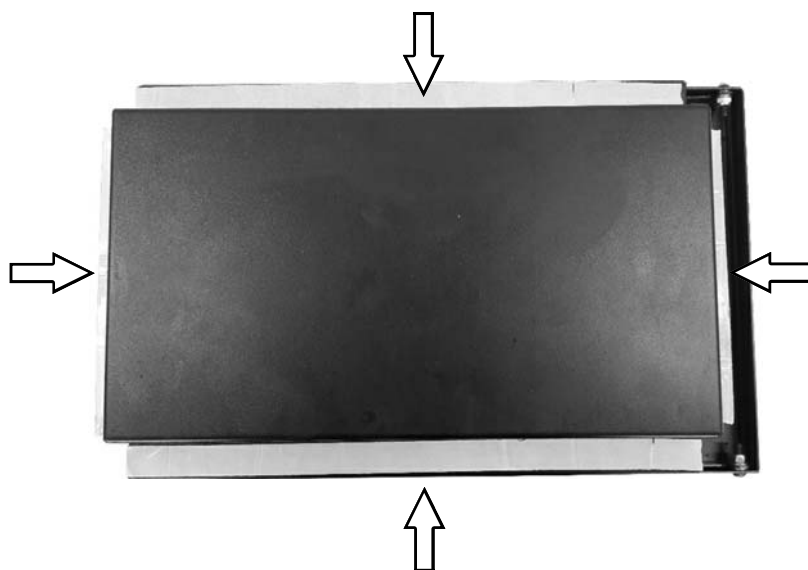
- (D) Place the Under Console Safe into position as shown. On certain models you may need to drop/reroute the fuel line that runs below where the Safe will locate. Once the safe is located, mark the position of the four mounting holes as indicated by the arrows onto the vehicle's body and remove the Safe from the vehicle.



- (E) Using a 4 mm drill bit and drill machine, drill a pilot hole on each of your markings from Step 2D. Change the drill bit to 9 mm and re-drill the 4 mm holes to 9 mm. Insert and crimp a M6 Rivnut (Item 4) into each of the 9 mm holes.



- (F) Turn the safe upside down and peel the backing paper off the foam tape stuck to the underside of the "mounting lips".

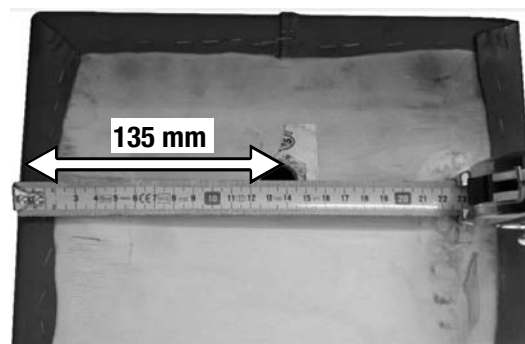
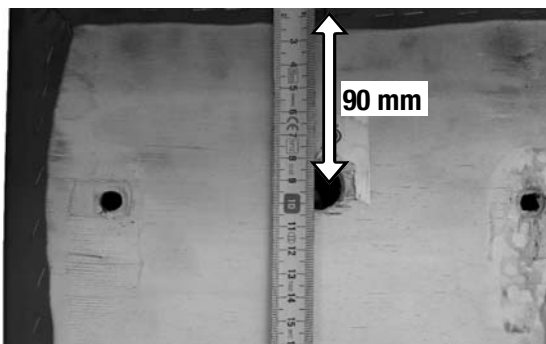


2 INSTALL SAFE CONT...

- (G) Place the Safe back into the vehicle lining up the mounting holes in the safe with the Rivnuts inserted in Step 2E. Secure the Safe to the vehicle using four M6 x 25 Button Head Bolts, four M6 Spring Washers and four M6 x 19 Flat Washers (Items 2, 5, 6).

- (H) Turn the vehicle's Center Console removed in Step 2B upside down. Depending on the vehicle model, remove either the wooden spacer blocks or round plastic spacers to give you a flat mounting surface.

Still working underneath the console drill a 30 mm Hole, 90 mm in from the front of the console and 135 mm in from the edge of the console.



- (I) With the Safe in the closed position, place the center console on top of the Safe, lining the 30 mm hole drilled in Step 2H with the lock in the safe and center the console left to right. Once you are happy with the position of the center console, mark the position of the four mounting holes in the console onto the lid of the Safe.

- (J) Remove the center console. Drill and insert a M6 Rivnut (Item 4) as in Step 2E, on each of your four markings from Step 2I.

- (K) Place the center console back on top of the Safe, lining up the mounting holes in the center console with the Rivnuts inserted in Step 2J. Secure the console to the Safe using four M6 x 30 Button Head Bolts, four M6 Spring Washers and four M6 x 19 Flat Washers (Item 1, 2, 3).

- (L) Replace the cup holders or carpet flat from Step 2B

- (M) Congratulations, you have completed your installation. Take a step back and admire your work. Good Job!