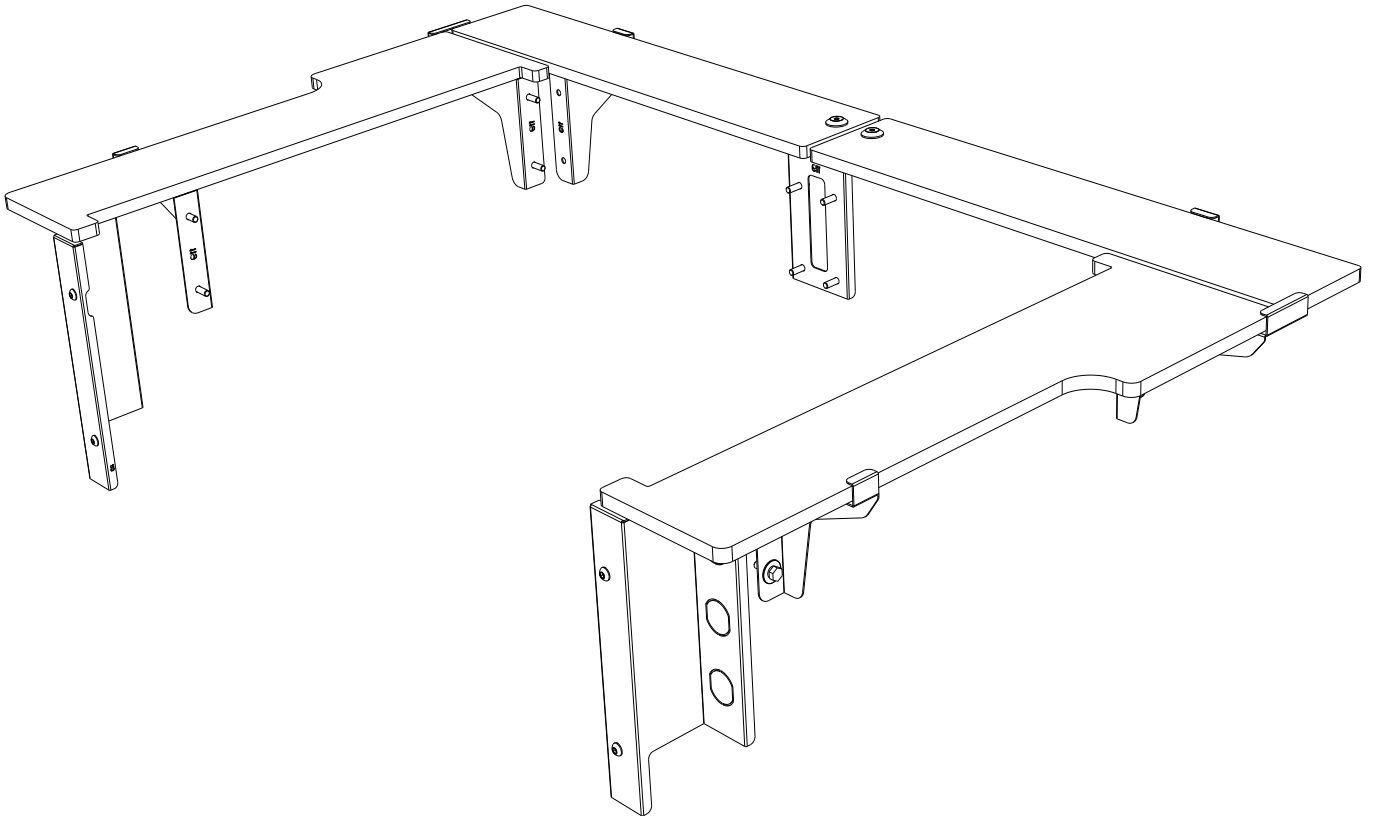


FRONT RUNNER

JEEP WRANGLER JL (2017 - CURRENT) DECK COMPLETION SET

ENG

SSDS119



READ ME !

Thank you for purchasing a Front Runner Deck Completion Set.

Before you start, take a moment to familiarize yourself with the Fitting Instructions and the components received.

Refer to Page 2 for a list of all the components, quantities and tools required.

IMPORTANT WARNING!

IT IS CRITICAL THAT ALL FRONT RUNNER PRODUCTS BE PROPERLY AND SECURELY ASSEMBLED AND ATTACHED TO YOUR VEHICLE. IMPROPER ATTACHMENT COULD RESULT IN AN AUTOMOBILE ACCIDENT, AND COULD CAUSE SERIOUS BODILY INJURY OR DEATH. YOU ARE RESPONSIBLE FOR ASSEMBLING AND SECURING ALL FRONT RUNNER PRODUCTS TO YOUR VEHICLE, CHECKING THE ATTACHMENTS PRIOR TO USE, AND PERIODICALLY INSPECTING THE PRODUCTS FOR ADJUSTMENT, WEAR AND DAMAGE. THEREFORE, YOU MUST READ AND UNDERSTAND ALL OF THE INSTRUCTIONS AND PRECAUTIONS SUPPLIED WITH YOUR FRONT RUNNER PRODUCT PRIOR TO INSTALLATION OR USE. IF YOU DO NOT UNDERSTAND ALL OF THE INSTRUCTIONS AND CAUTIONS, OR IF YOU HAVE NO MECHANICAL EXPERIENCE AND ARE NOT THOROUGHLY FAMILIAR WITH THE INSTALLATION PROCEDURES, YOU SHOULD HAVE THE PRODUCT INSTALLED BY A PROFESSIONAL INSTALLER OR OTHER QUALIFIED PERSONNEL.

NOTE: Front Runner will not be responsible for any damage caused by the failure to install the product according to these instructions.

Please call us if you have any questions about the installation of this product.

1 GET ORGANIZED

IN THE BOX

1	2 X	Side Deck 1LH + 1RH
2	2 X	Rear Deck 1LH + 1RH
3	2 X	Front Face Plate 1LH + 1RH
4	2 X	Front Wing 1LH + 1RH - (119-R = 110mm Long)
5	2 X	Rear Side Wing 1LH + 1RH
6	2 X	Rear Wing 1LH + 1RH - (119-F = 100mm Long)
7	1 X	Rear Support
8	2 X	M6 Cage Nut
9	2 X	M6 x 30 Countersink Screw
10	2 X	M6 Finishing Washer
11	4 X	37mm Laser Cut Carabiner
12	12 X	M6 x 20 Hex Bolt
13	12 X	M6 SS Spring Washer
14	12 X	M6 x 19 x 1SS Flat Washer
15	4 X	M6 x 12 Button Head Bolt

IN THE BOX

16	1 X	Front Wing RH
17	1 X	Rear Wing RH
18	4 X	Tie Down Plate
19	4 X	Rubber Spacer
20	4 X	Nut Plate
21	4 X	M6 x 25 Countersink Bolt
22	1 X	Side Deck RH
23	1 X	Rear Deck RH

TOOLS NEEDED



10mm

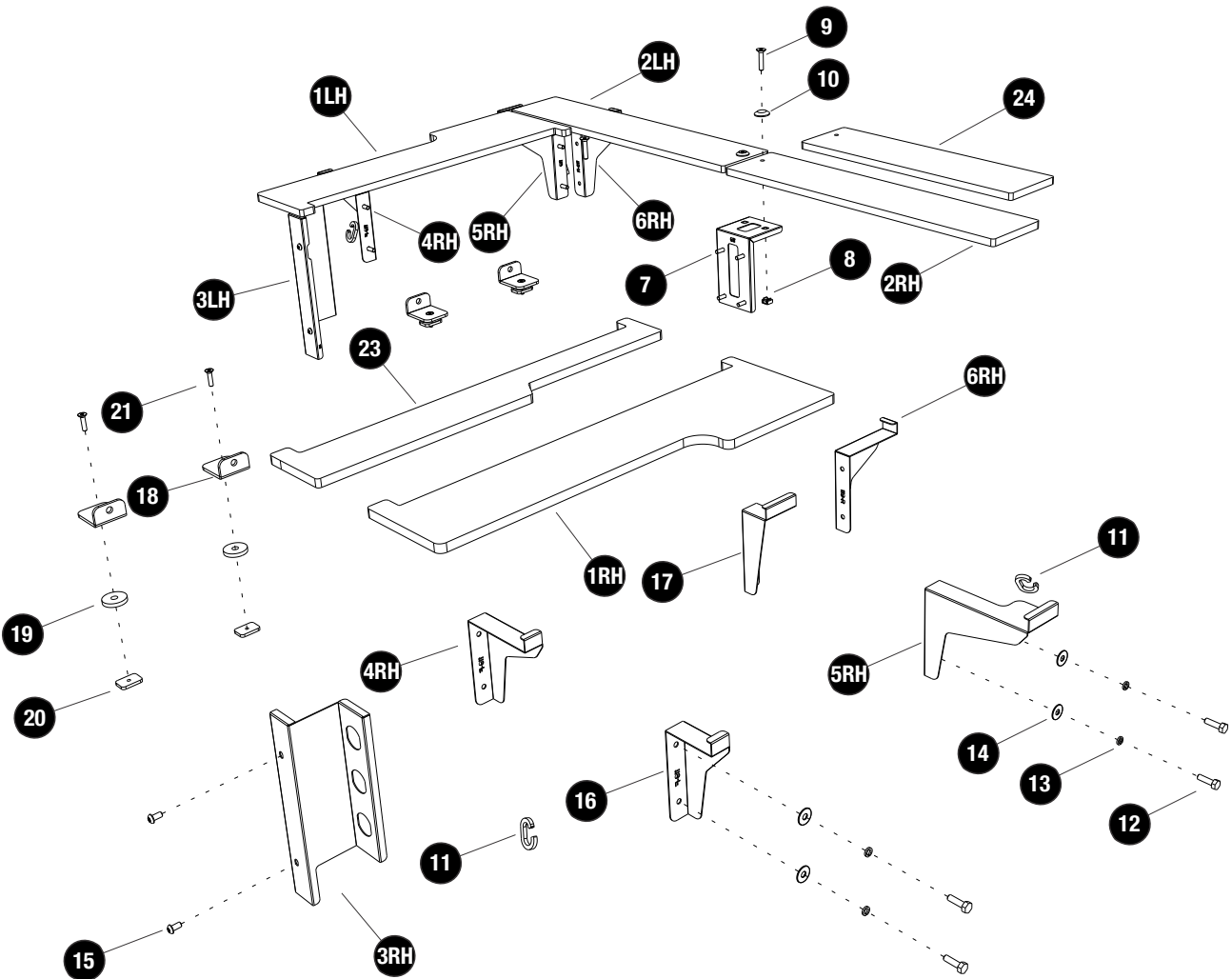


T30



4mm

FIGURE 1.1



2

FIT AND SECURE

2.1



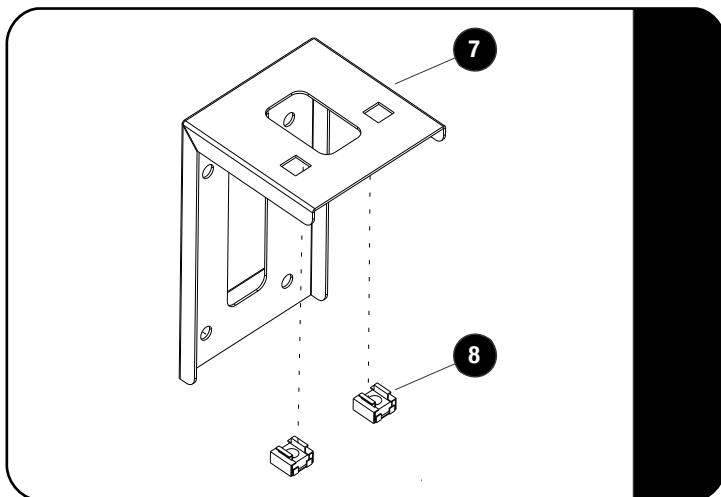
Loosen and remove the two front and two rear tie-down points in the back of the vehicle.
Remove the plastic covers from the tie-down points.

2.2

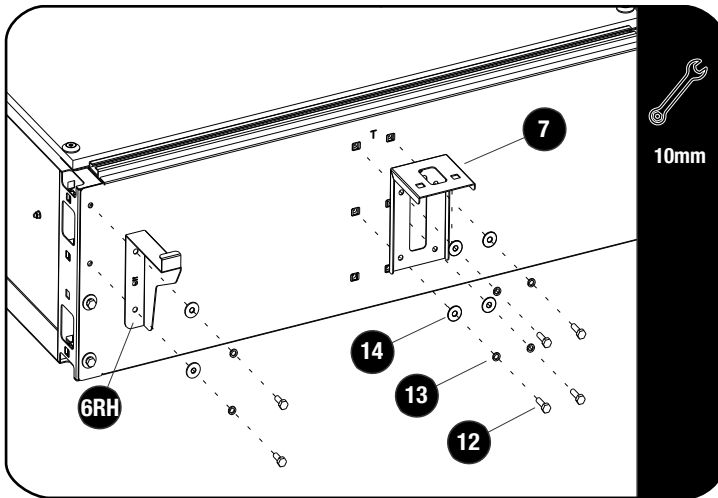



Refit the two rear tie-down points so that the D-rings face outward toward the side.
Refit the two front tie-down points so that the D-rings face the front of the vehicle.

2.3

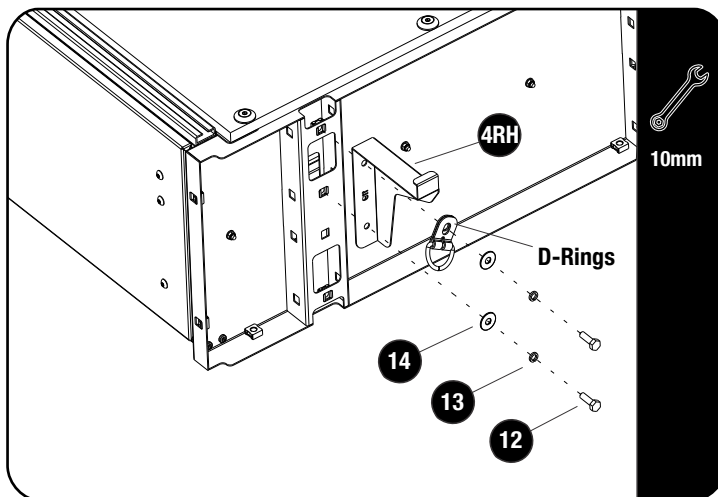



Fit the two M6 Cage Nuts (Item 8) to the Back Support (Item 7) as shown.

2**FIT AND SECURE****2.4**

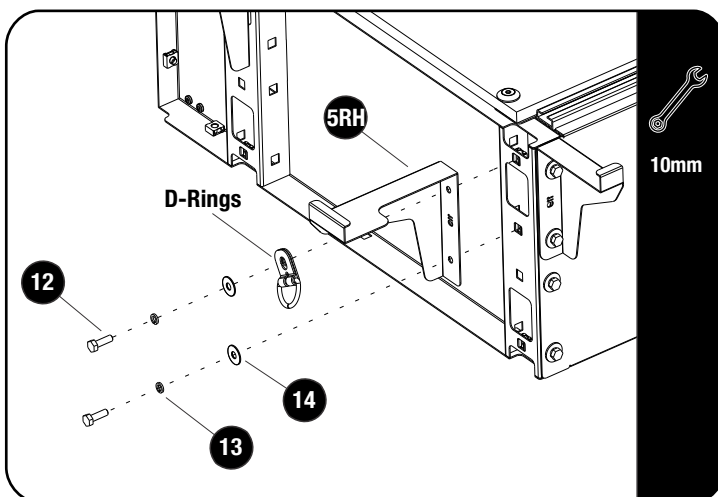
 Assemble the Back Wings and Support (Items 6 & 7) to the back of the drawer, using M6 x 20 Button Head Bolts, M6 SS Spring Washers and M6 x 19 x 1 SS Flat Washers (Items 12, 13 & 14) as shown.


 Note. The length of Item 6LH and 6RH is 100mm.

2.5

 Assemble the Front Side Wings (Item 4) together with D-Rings (supplied with SSDR011) to the front left and right side of the drawer, using M6 x 20 Button Head Bolts, M6 SS Spring Washers and M6 x 19 x 1 SS Flat Washers (Items 12, 13 & 14) as shown.

 Note. The length of Item 4LH and 4RH is 110mm.

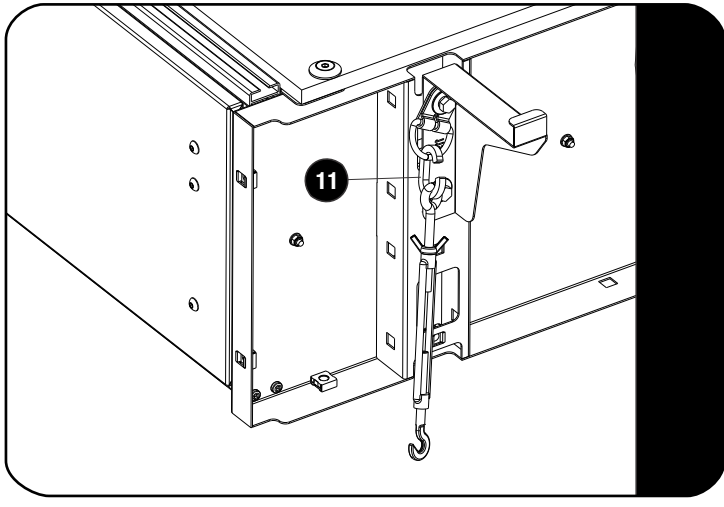
2.6

 Assemble the Rear Side Wings (Item 4) together with D-Rings (supplied with SSDR011) to the rear left and right side of the drawer, using M6 x 20 Button Head Bolts, M6 SS Spring Washers and M6 x 19 x 1 SS Flat Washers (Items 12, 13 & 14) as shown.

2

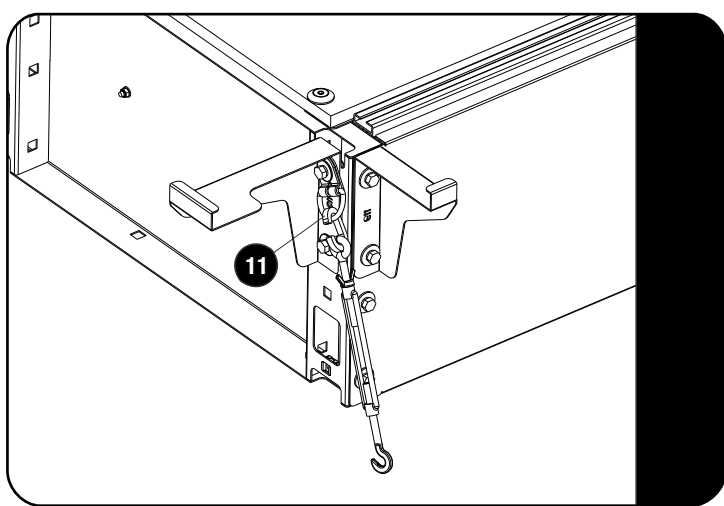
FIT AND SECURE

2.7



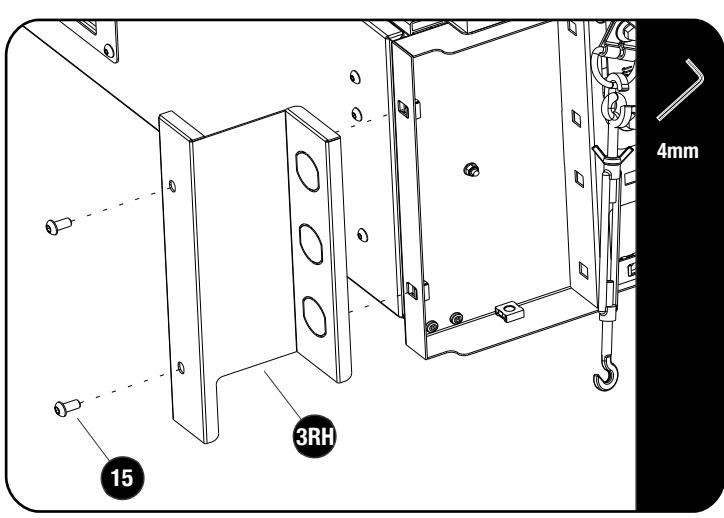
Secure the Drawer to the vehicle's rear mounting points using two Turnbuckles and two 37mm Laser Cut Carabiners (Item 11) as shown. (Turnbuckles supplied with SDR011).

2.8



Secure the Drawer to the vehicle's front mounting points using two Turnbuckles and two 37mm Laser Cut Carabiners (Item 11) as shown. (Turnbuckles supplied with SDR011).

2.9

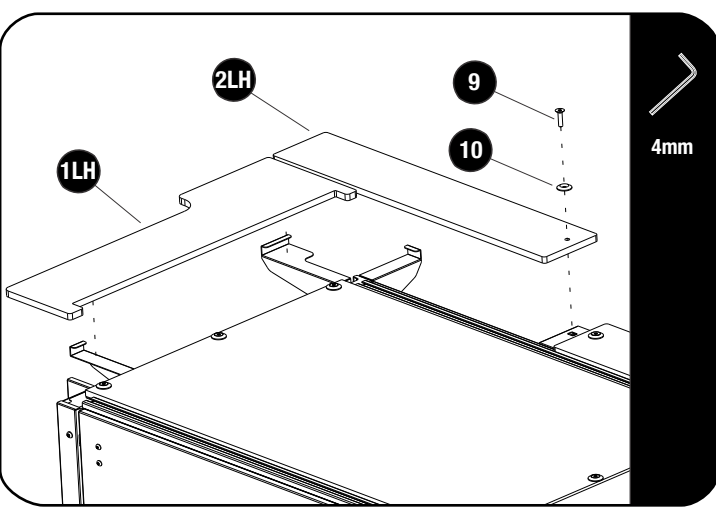


Secure the Front Faces (Item 3LH & 3RH) to the Drawer using M6 x 16 Button Head Bolts (Item 15) as shown.

2

FIT AND SECURE

2.10

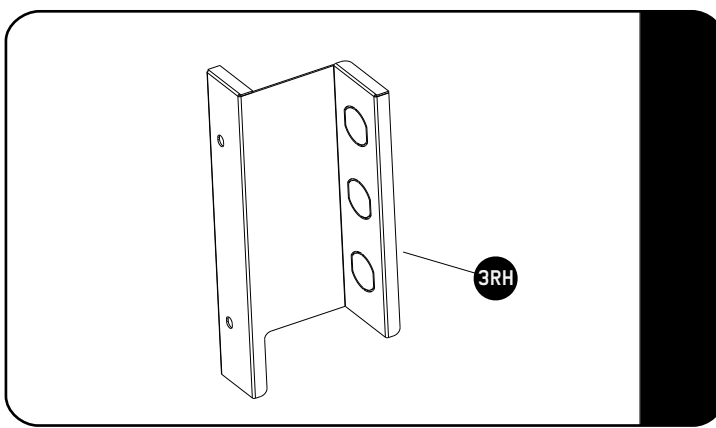


Fit the Side Decks and Rear Decks (Items 1 & 2) to the Drawer by placing them into the C-Clips and pushing downward. Secure the middle of the Rear Decks using M6 x 30 Countersink Screws and M6 Finishing Washers (Items 9 & 10) as shown.

3

FITTING ELECTRICAL SOCKETS

3.1



Twist the precut knock outs to remove.
Socket Inserts (sold separately) can be installed into this front face.

- ECOM117 - Amp Meter
- ECOM118 - USB Socket
- ECOM119 - 12/24V Socket
- ECOM120 - Merit Socket
- ECOM121 - Engel Socket
- ECOM124 - Volt Meter

3

FINISH

Congratulations! You did it. Take a step back and admire your work!

4

INSTALL OTHER VEHICLE AND RACK ACCESSORIES

Now's the time to visit your favorite Front Runner Dealer in person or online.

Be sure to tag us. We love to see our gear in action! #FrontRunnerOutfitters #BornToRoam

Share your adventures on: 