

### READ ME !

Thank you for purchasing a Front Runner Wall Mounting Kit for Quick Release System.

Before you start, take a moment to familiarize yourself with the Fitting Instructions and the components received.

Refer to Page 2 for a list of all the components, quantities and tools required.

### IMPORTANT WARNING!

IT IS CRITICAL THAT ALL FRONT RUNNER PRODUCTS BE PROPERLY AND SECURELY ASSEMBLED AND ATTACHED TO YOUR VEHICLE. IMPROPER ATTACHMENT COULD RESULT IN AN AUTOMOBILE ACCIDENT, AND COULD CAUSE SERIOUS BODILY INJURY OR DEATH. YOU ARE RESPONSIBLE FOR ASSEMBLING AND SECURING ALL FRONT RUNNER PRODUCTS TO YOUR VEHICLE, CHECKING THE ATTACHMENTS PRIOR TO USE, AND PERIODICALLY INSPECTING THE PRODUCTS FOR ADJUSTMENT, WEAR AND DAMAGE. THEREFORE, YOU MUST READ AND UNDERSTAND ALL OF THE INSTRUCTIONS AND PRECAUTIONS SUPPLIED WITH YOUR FRONT RUNNER PRODUCT PRIOR TO INSTALLATION OR USE. IF YOU DO NOT UNDERSTAND ALL OF THE INSTRUCTIONS AND CAUTIONS, OR IF YOU HAVE NO MECHANICAL EXPERIENCE AND ARE NOT THOROUGHLY FAMILIAR WITH THE INSTALLATION PROCEDURES, YOU SHOULD HAVE THE PRODUCT INSTALLED BY A PROFESSIONAL INSTALLER OR OTHER QUALIFIED PERSONNEL.

**NOTE:** Front Runner will not be responsible for any damage caused by the failure to install the product according to these instructions.

Please call us if you have any questions about the installation of this product.

# 1

## GET ORGANIZED

### IN THE BOX

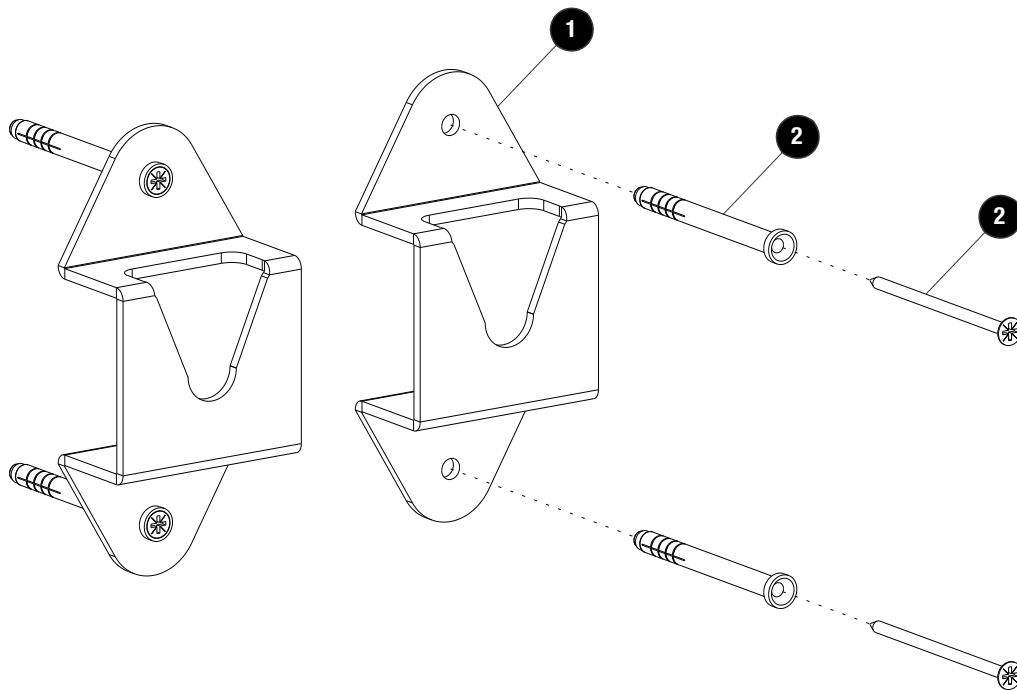
1	2 X	Wall Mount Bracket
2	4 X	Wall Plug Screw

### TOOLS NEEDED



**⚠ Note:** Used with components but not included:  
RRAC171 - Quick Release Cargo Box Bracket  
TBMK012 - Quick Release Tent Mount Kit

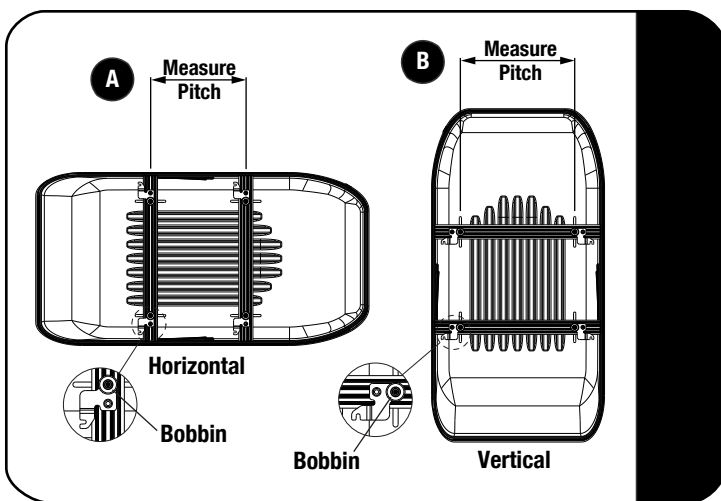
FIGURE 1.1



2

FIT AND SECURE

2.1



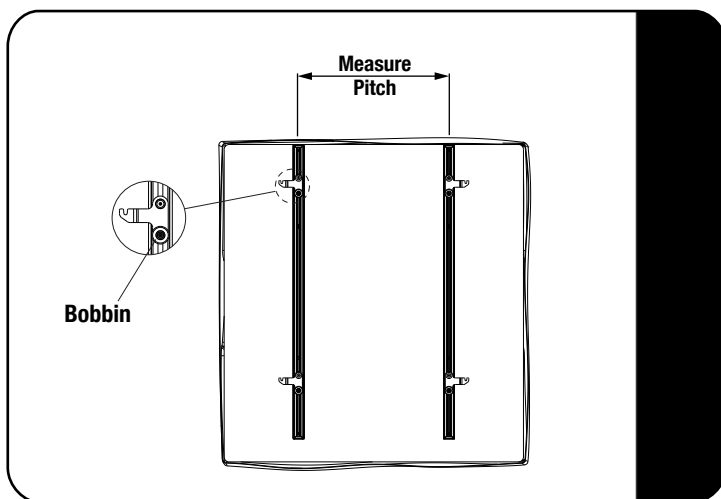
Cargo Box

Flip your Cargo Box upside down.  
Decide in which orientation your Cargo box will be stored on the wall.

A Measure the pitch between the Bobbins for horizontal storage.

B Measure the pitch between the Bobbins for vertical storage.

2.2



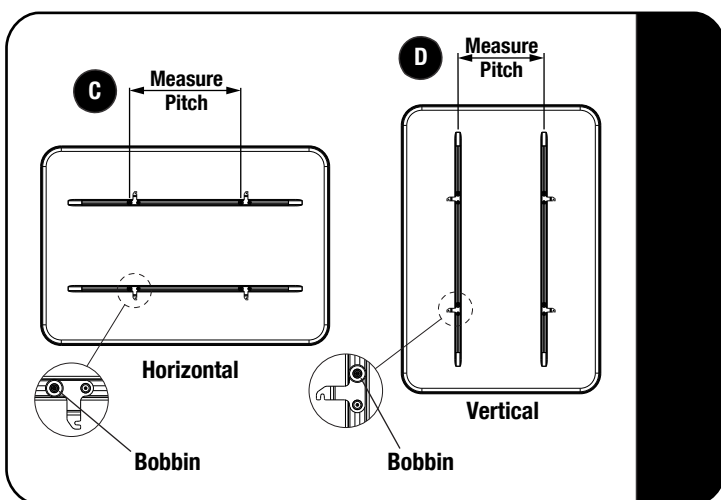
Roof Top Tent

Flip your Roof Top Tent upside down.

Note the track orientation as shown.

Measure the pitch between the Bobbins.

2.3



Hard Shell Roof Top Tent

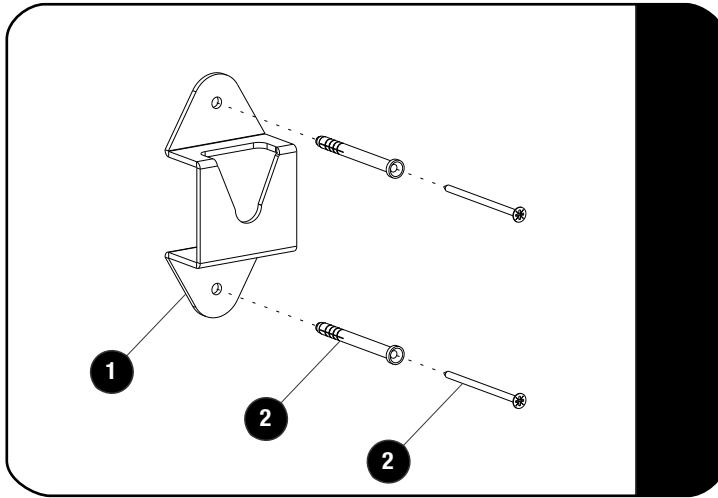
Flip your Hard Shell Roof Top Tent upside down.

Decide in which orientation your Hard Shell Roof Top Tent will be stored on the wall.

C Measure the pitch between the Bobbins for horizontal storage.

D Measure the pitch between the Bobbins for vertical storage.

Vertical orientation is recommended and preferred.

**2****FIT AND SECURE****2.4**

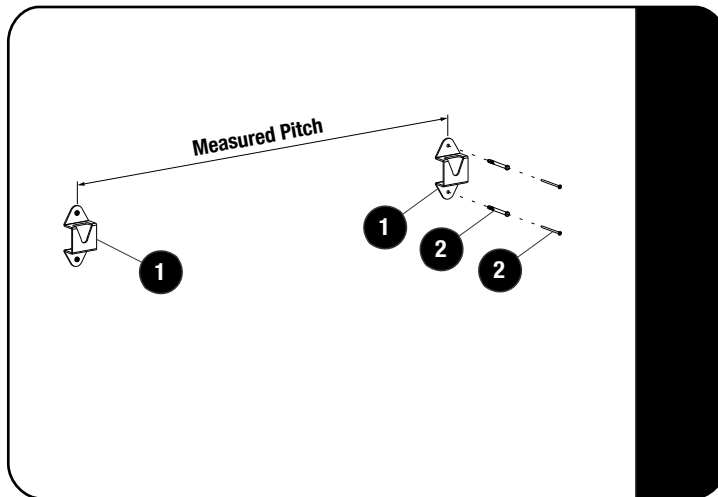
↻ Choose the desired height you want to store your roof top accessory on the wall.

Placing one Wall Mount Bracket (Item 1) against the wall at your desired height. Mark the holes in the Wall Mount Bracket onto the wall.

Using a 6mm Masonry Drill Bit, drill the centre of the markings. Secure the Bracket to the wall using two 6x35 Wall Plug Screws (Item 2) as shown.



**Insure the storage height includes the total height required to clear the floor.**

**2.5**

↻ Measure the Pitch and the height in 2.4 and mark the holes of the second Wall Mount Bracket (Item 1) onto the wall.

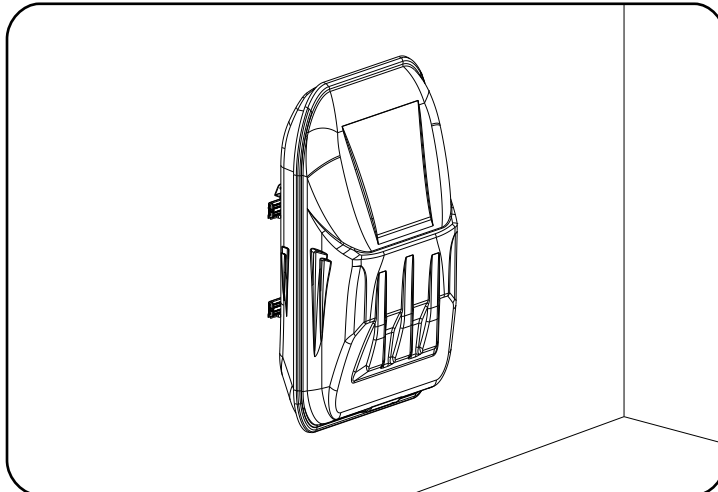


**Insure the Wall Mount Brackets align horizontally.**

Using a 6mm Masonry Drill Bit, drill the centre of the markings. Secure the Bracket to the wall using two 6x35 Wall Plug Screws (Item 2) as shown.



**Before using the Wall Mount Brackets, inspect the Wall Mount Brackets. Ensure the brackets are securely installed.**

**2.6**

**Finish off by hanging your roof top accessory on the wall using your Wall Mount Brackets.**

**3**

### **FINISH**

**Congratulations! You did it. Take a step back and admire your work!**

**4**

### **INSTALL OTHER VEHICLE AND RACK ACCESSORIES**

**Now's the time to visit your favorite Front Runner Dealer in person or online.**

**Be sure to tag us. We love to see our gear in action! #FrontRunnerOutfitters #BornToRoam**

**Share your adventures on:** 