

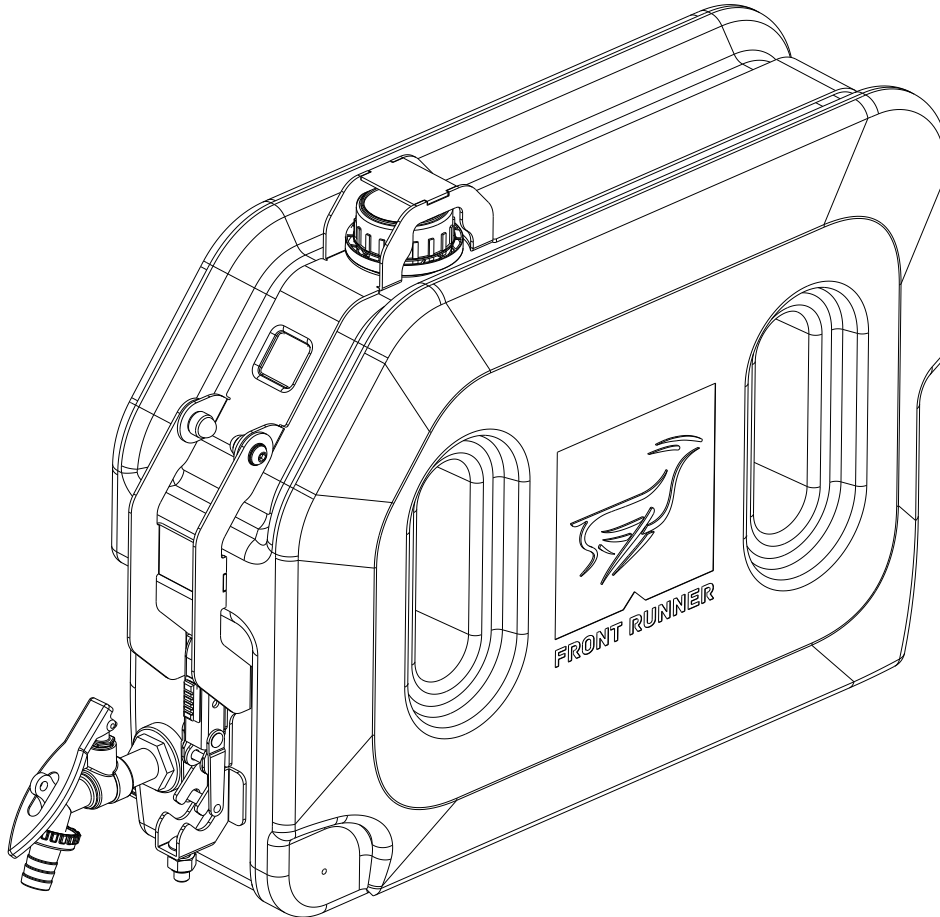


FRONT RUNNER
VEHICLE OUTFITTERS

PRO WATER TANK / 20L

ENG

WTAN050



READ ME !

Thank you for purchasing a Front Runner 20L Pro Water Tank.

Before you start, take a moment to familiarize yourself with the Fitting Instructions and the components received.

Refer to Page 2 for a list of all the components, quantities and tools required.

IMPORTANT WARNING!

IT IS CRITICAL THAT ALL FRONT RUNNER PRODUCTS BE PROPERLY AND SECURELY ASSEMBLED AND ATTACHED TO YOUR VEHICLE. IMPROPER ATTACHMENT COULD RESULT IN AN AUTOMOBILE ACCIDENT, AND COULD CAUSE SERIOUS BODILY INJURY OR DEATH. YOU ARE RESPONSIBLE FOR ASSEMBLING AND SECURING ALL FRONT RUNNER PRODUCTS TO YOUR VEHICLE, CHECKING THE ATTACHMENTS PRIOR TO USE, AND PERIODICALLY INSPECTING THE PRODUCTS FOR ADJUSTMENT, WEAR AND DAMAGE. THEREFORE, YOU MUST READ AND UNDERSTAND ALL OF THE INSTRUCTIONS AND PRECAUTIONS SUPPLIED WITH YOUR FRONT RUNNER PRODUCT PRIOR TO INSTALLATION OR USE. IF YOU DO NOT UNDERSTAND ALL OF THE INSTRUCTIONS AND CAUTIONS, OR IF YOU HAVE NO MECHANICAL EXPERIENCE AND ARE NOT THOROUGHLY FAMILIAR WITH THE INSTALLATION PROCEDURES, YOU SHOULD HAVE THE PRODUCT INSTALLED BY A PROFESSIONAL INSTALLER OR OTHER QUALIFIED PERSONNEL.

NOTE: Front Runner will not be responsible for any damage caused by the failure to install the product according to these instructions.

Please call us if you have any questions about the installation of this product.

1

GET ORGANIZED

IN THE BOX

1	1 X	Pro Tank Strap Assembly
2	1 X	Rack Catch
3	1 X	M8 x 20 Button head
4	2 X	M8 Nyloc Nut
5	1 X	M8 x 16 Hex Bolt
6	1 X	M8 Nut Cap
7	1 X	550mm T-Slot Rubber
8	1 X	Pro Water Tank / 20L
9	1 X	3/4" Lockable Tap

TOOLS NEEDED



13MM



5mm

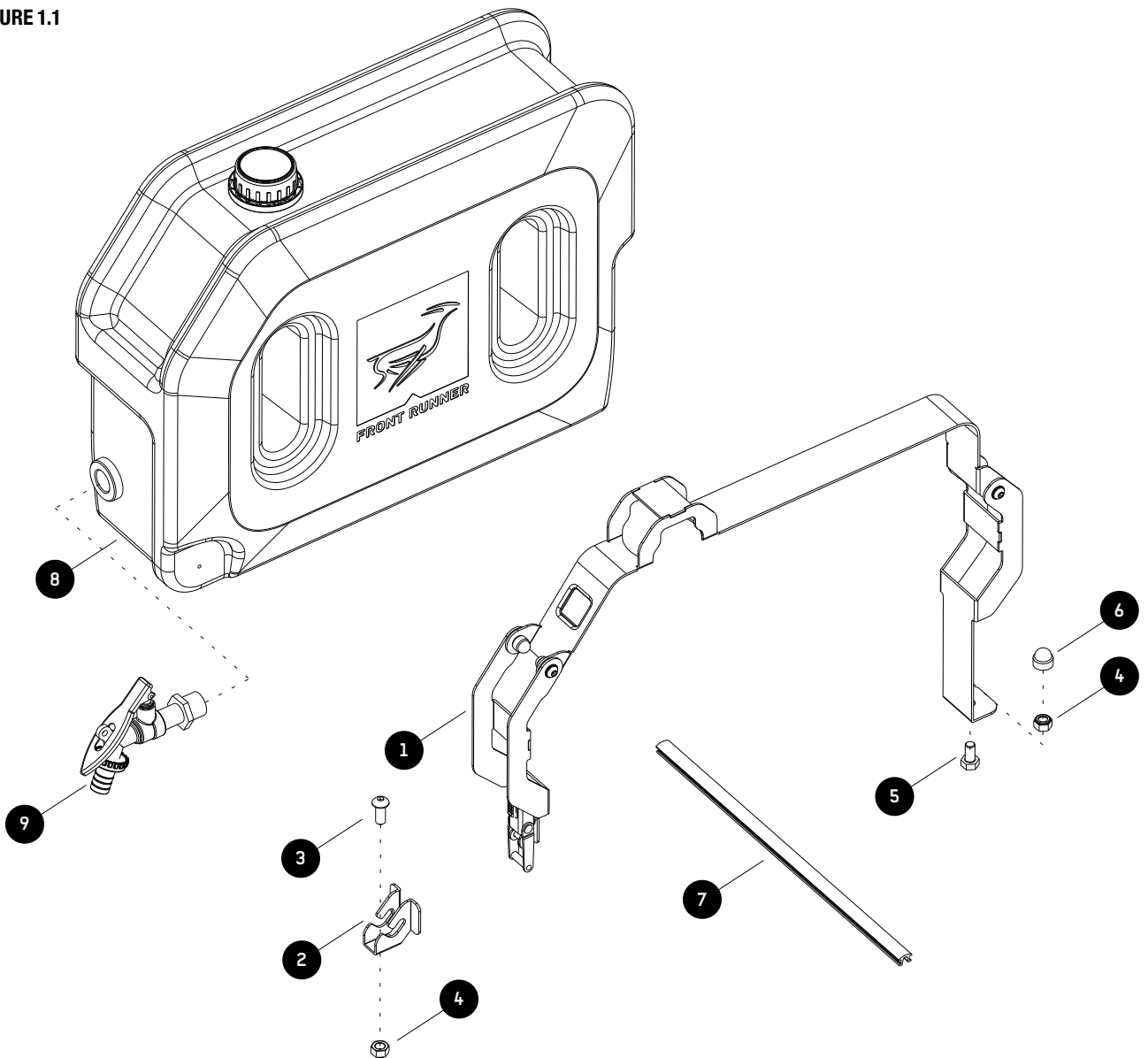


Thread Tape



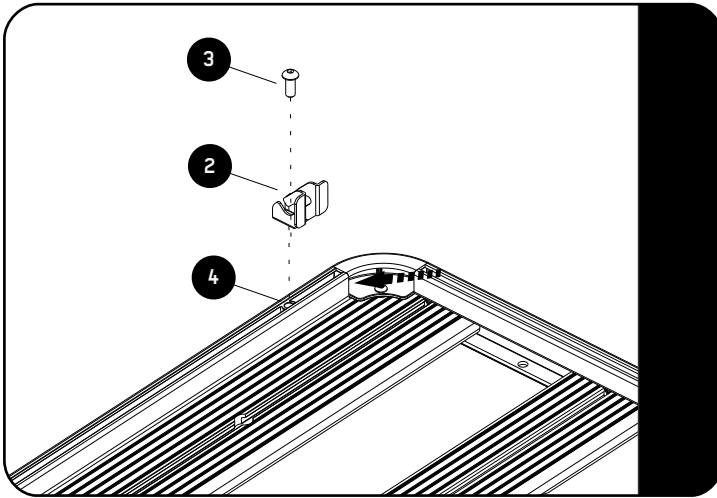
24MM

FIGURE 1.1



2**FIT AND SECURE**

2.1

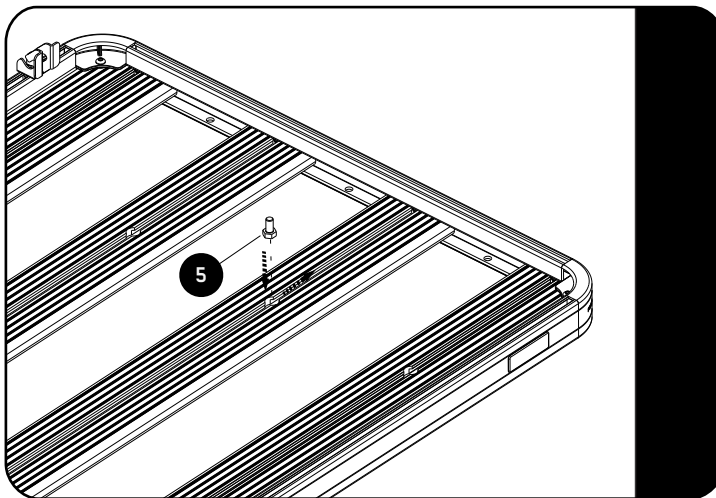


Choose where you would like to mount your Pro Water Tank, front or rear of your Front Runner Rack. The Tank must be positioned using either the front or rear combined slat.

Slide one M8 Nyloc Nut (Item 4) into the chosen Combined Slats T-slot.

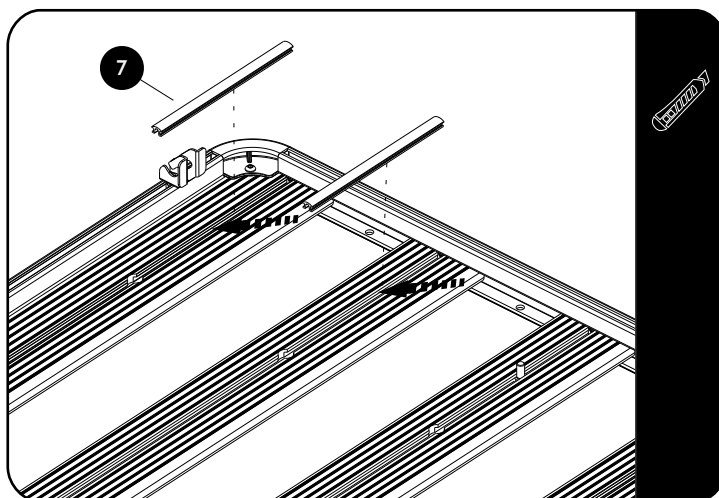
Loosely fit the Catch (Item 2) using the M8 Nyloc and a M8 x 20 Button Head Bolt (Item 3) as shown.

2.2



Slide the M8 x 16 Hex Bolt (Item 5) into the 3rd slats machined slot as shown.

2.3

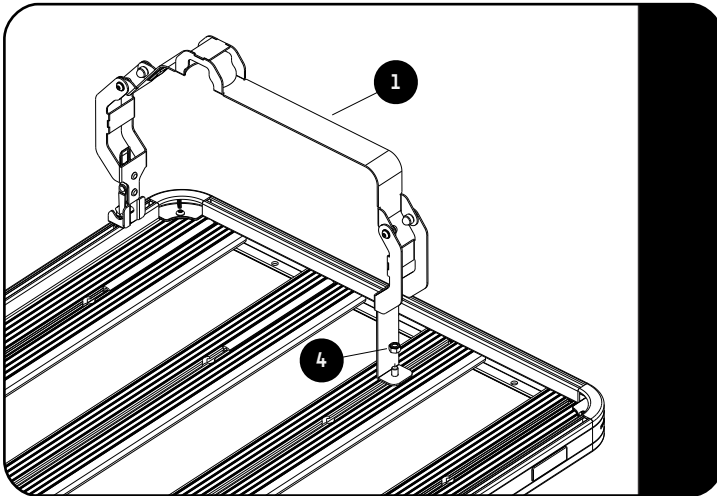


Cut the T-Slot Rubber (Item 7) in two equal lengths before inserting it into the slats T-slot as shown.

2

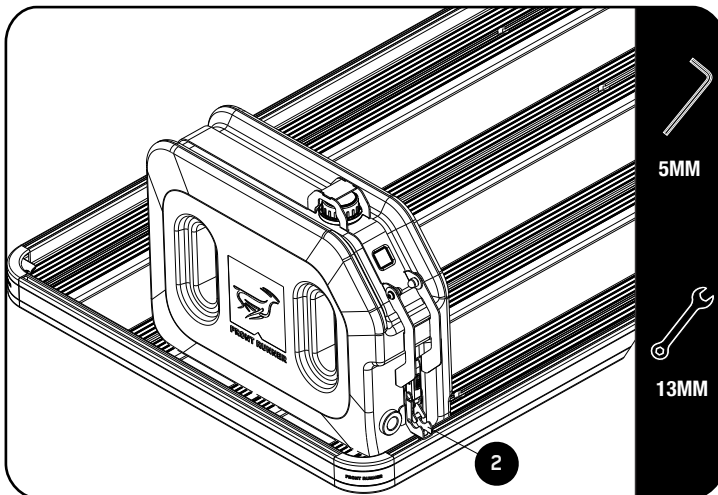
FIT AND SECURE

2.4



Loosely fit the Pro Tank Strap (Item 1) to the rack using the M8 x 16 Hex Bolt from 2.3 and M8 Nyloc Nut (Item 4) as shown.

2.5

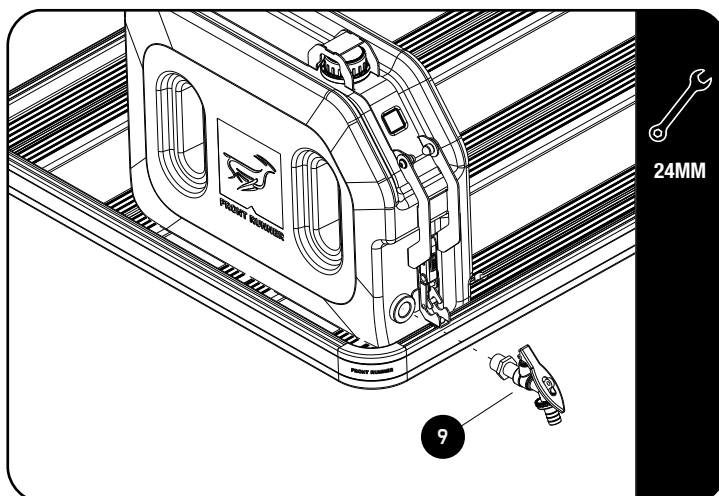


Open the Strap and place the Pro Water Tank onto the rack. Close the Strap over the Water Tank as show.

Ensure that the Tank and the Strap are aligned before setting and fully tightening the M8 Nyloc on the Strap and the M8 x 20 Button Head Bolt on the Catch (Item 2).

Once secured, place a M8 Nut Caps (Item 6) over the Nyloc Nuts.

2.6



Before fitting the Tap (Item 9) apply thread tape to the thread of the tap.

This will allow the Tap to be aligned straight.

3

FINISH

Congratulations! You did it. Take a step back and admire your work!

4

INSTALL OTHER VEHICLE AND RACK ACCESSORIES

Now's the time to visit your favorite Front Runner Dealer in person or online.

Be sure to tag us. We love to see our gear in action! #FrontRunnerOutfitters #BornToRoam

Share your adventures on: 