

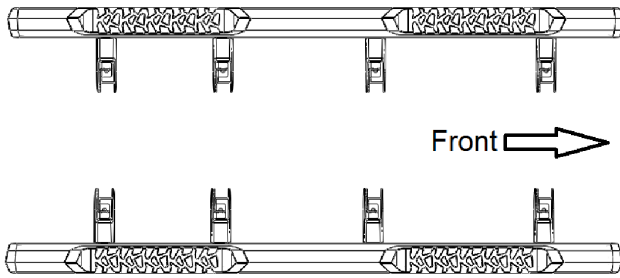
Tools Required:

- Torque Wrench
- 10 mm socket
- 3/8" drive ratchet
- 3" 3/8" drive extension

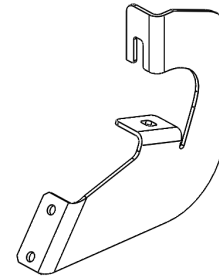


Torque Table:

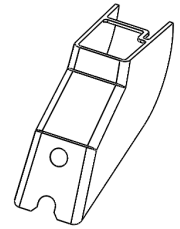
8mm Hardware torque to 25Nm (18lbft)



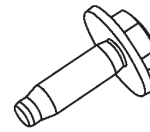
CREW CAB IS SHOWN. EXTENDED AND REGULAR ARE SIMILIAR.



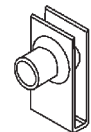
ITEM 1



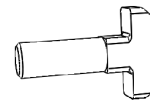
ITEM 2



ITEM 3



ITEM 4



ITEM 5

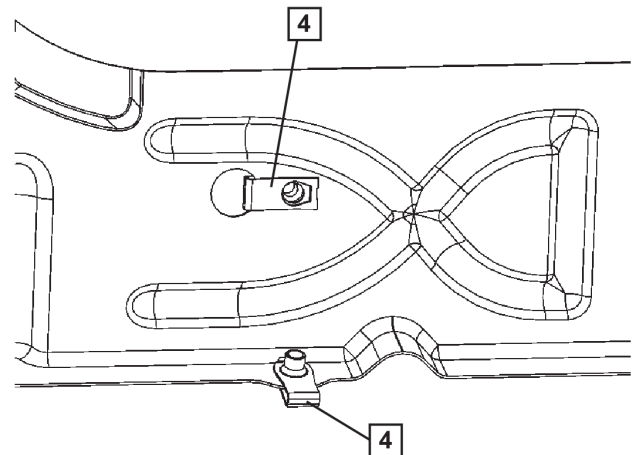


ITEM 6

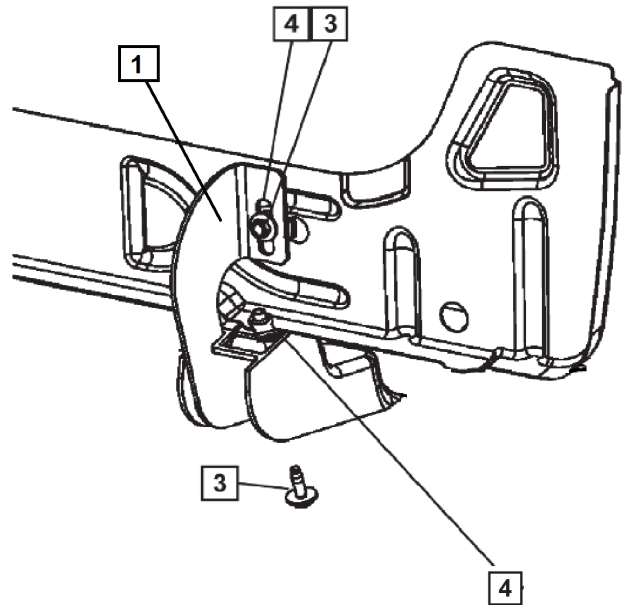
Tubular Assist Step Installation Procedure

1. Install U-nuts (Item 4) onto existing holes in pinch flange and inner rocker panel. See figure 1 and figure 2 for locations and orientation of U-nuts (Item 4). Install U-nuts (Item 4) with threads up on pinch flange. Install U-nuts (Item 4) with threads inside of the inner rocker panel. Regular cab trucks will use 8 U-Nuts. Extended cab trucks will use 12 U-nuts. Depending on how many weld nuts are in the first two bracket locations, some crew cab trucks will use 12 U-nuts and others will use 8 U-nuts. On some vehicles it may be necessary to remove and discard hole plugs to install the U-nuts.

FIGURE 1

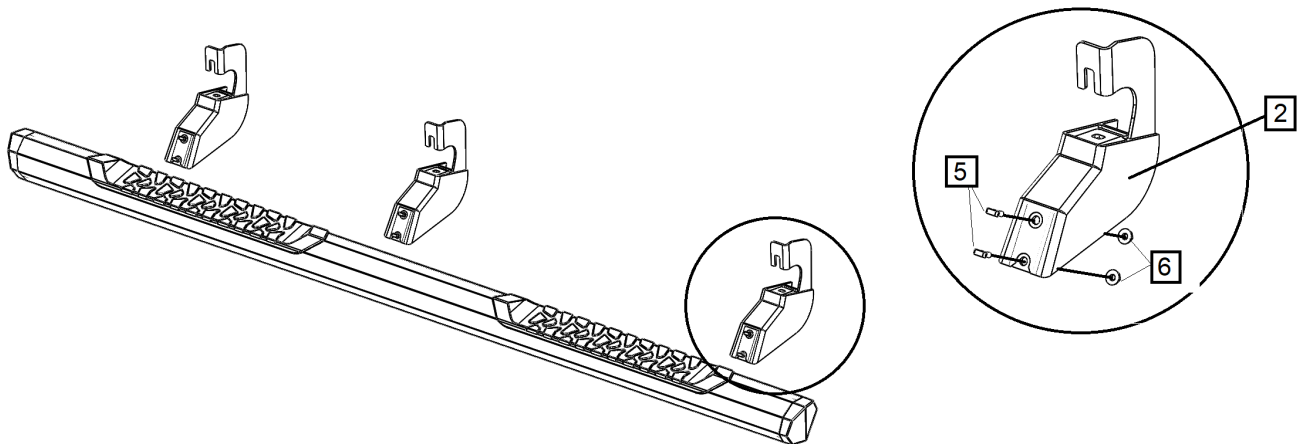


3. Install brackets (Item 1) to inner rocker and panel nuts (Item 4) with provided M8 SEMS bolts (Item 3). Install only finger tight at this time.



4. Position bracket cover (Item 2) over each bracket

5. In each brackets lower two mounting holes, install a t-bolt (Item 5) from the outside, and just start threading on a flange nut (Item 6) from the backside. Leave very loose and only just start the threads



6. Position step tube over protruding t-bolts. From behind bracket, PUSH UP AND TURN Flange nuts (Item E) to engage t-bolts in slots and tighten.

CAUTION: BE SURE TO CHECK THAT T-BOLT HAS TURNED AND FULLY ENGAGED INTO SLOT IN BACK OF STEP TUBE



Torque all M8 fasteners to 14lbs-ft (20 N.m)