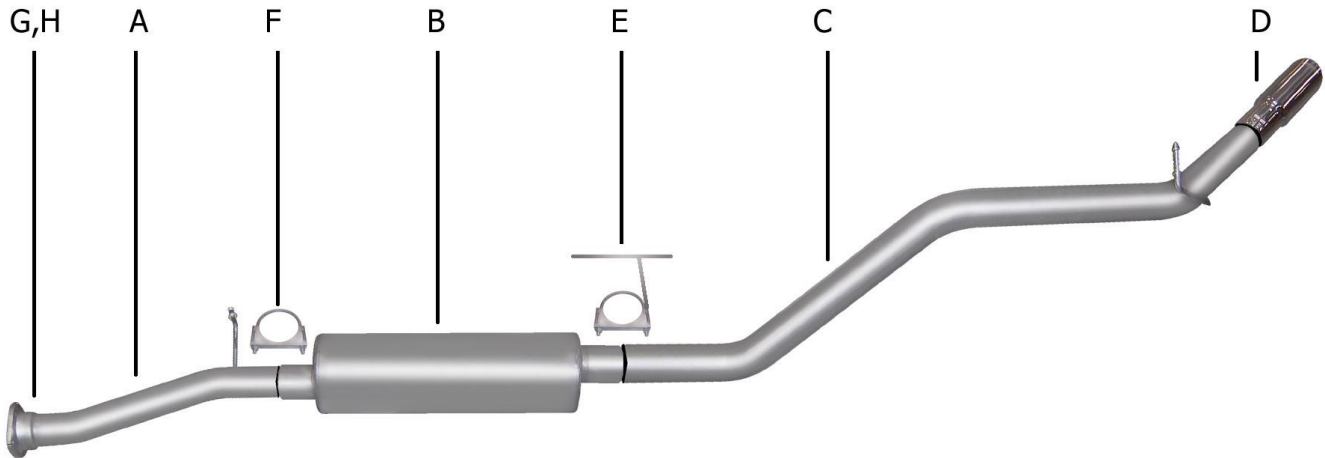




**INSTRUCTION MANUAL
CAT-BACK SINGLE EXHAUST
S10 4.3L CREW CAB, SHORTBED 4WD
PART # 14433**



ITEM	PART #	QUANTITY	DESCRIPTION
A	700334	1	3" HEADPIPE W/FLANGE #GP305-1
B	788200	1	SUPERFLOW MUFFLER
C	700335-1	1	2-1/2" OVERAXLE TAILPIPE W/HANGER
D	500361	1	3" STAINLESS STEEL TIP
E	4162	1	2-1/2" HANGER
F	5757	1	2-1/2" CLAMP
G	9688	1	HEADPIPE GASKET
H	BO-1018	1	BOLT KIT FOR HEADPIPE

THANK YOU FOR PURCHASING OUR GIBSON EXHAUST SYSTEM FOR YOUR VEHICLE. IF YOU NEED ANY FURTHER ASSISTANCE, PLEASE DON'T HESITATE TO CALL OUR TECHNICAL DEPARTMENT AT (800) 528-3044, MONDAY – FRIDAY, 8:00 AM TO 5:00 PM.

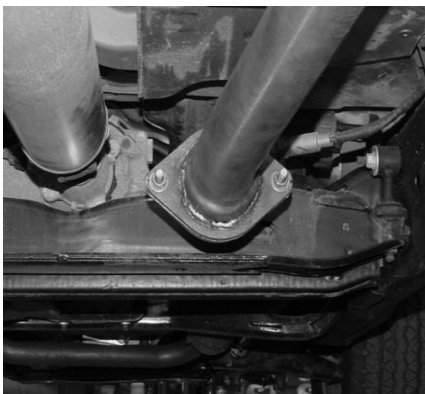
INSTALLATION INSTRUCTIONS #14433

WHEN INSTALLING THIS EXHAUST SYSTEM, MAKE SURE TO USE PROPER SAFETY PRECAUTIONS. USE JACK STANDS WHEN UNDER THE TRUCK, SET PARKING BRAKE, BLOCK TIRES AND SUE SAFETY GLASSES AND GLOVES. **DO NOT WORK WITH HOT PIPES!!!**

SUGGESTED TOOLS:

15MM SOCKET & WRENCH, 9/16", 7/16", 1/2" SOCKET & WRENCH, JACK STAND, WD-40, HACKSAW

LAY OUT THE EXHAUST AND COMPARE PART NUMBERS WITH THE DRAWING



TO REMOVE STOCK EXHAUST UN-BOLT IT FROM THE 2-BOLT FLANGE LOCATED BETWEEN THE CATALYTIC CONVERTER AND THE MUFFLER. NOW CUT OFF YOUR STOCK TAILPIPE JUST BEHIND THE MUFFLER AND REMOVE. LEAVE ALL RUBBER GROMMETS ON THE HANGER. USE WD-40 TO AID IN REMOVAL OF EXHAUST AND HANGERS. INSTALL HEADPIPE #A, USE # G GASKET, NUTS AND BOLTS, KIT # H. INSERT WELDED HANGER INTO RUBBER GROMMET. DO NOT TIGHTEN.



INSTALL TAILPIPE #C ONTO MUFFLER 1-1/2" TO 2". THE TAILPIPE WILL GO BETWEEN TIRE AND SHOCK, INSTALL FROM THE REAR OF THE VEHICLE. INSERT WELDED HANGER INTO THE RUBBER GROMMET. AND ATTACH WITH HANGER # E.



INSTALL MUFFLER #B ONTO HEADPIPE 1-1/2" TO 2" WITH INLET TOWARDS THE ENGINE. OUTLET SHOULD BE AT THE 12 O'CLOCK POSITION. USE CLAMP #F TO SECURE MUFFLER TO THE HEADPIPE, DO NOT TIGHTEN. THE INLET OF THE MUFFLER IS LOOKING INTO THE LOUVERS.



INSTALL YOUR STAINLESS TIP. TO CLEAN TIP USE ANY STAINLESS OR ALUMINUM CLEANER AND A SCOTCH BRITE PAD. NOW GO BACK AND TIGHTEN ALL CLAMPS, BOLTS AND NUTS.



INSTALL REAR MUFFLER HANGER #E INTO RUBBER GROMMETS, LONGER SIDE OF THE HANGER WILL GO TOWARDS THE DRIVERS SIDE. THE CLAMP WILL BE USED TO SECURE THE TAILPIPE TO THE MUFFLER, DO NOT TIGHTEN.

“MAKE SURE YOU HAVE A 1” CLEARANCE ON ALL PIPES FROM BRAKE AND FUEL LINES, TIRES, SHOCKS, ETC...”