

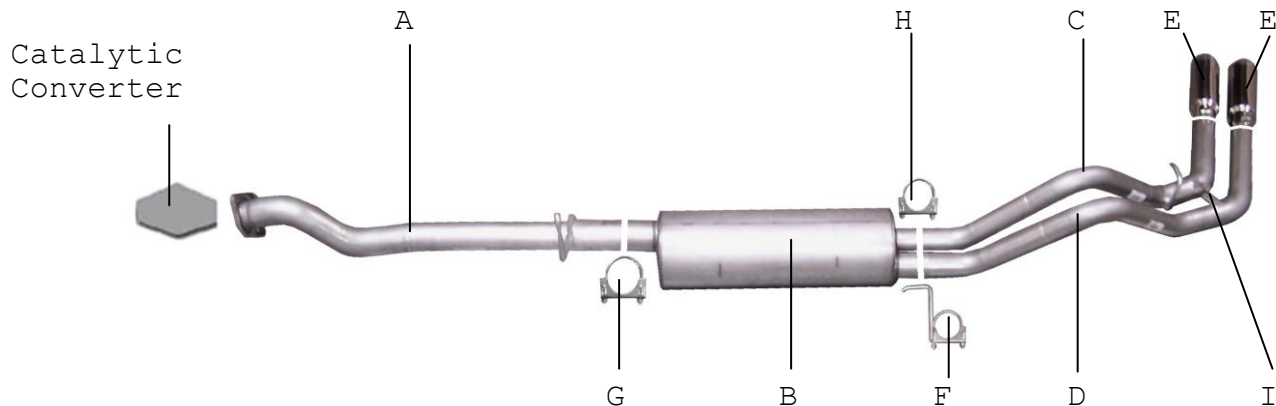


INSTRUCTION MANUAL

CAT-BACK STAINLESS DEEGAN 38 DUAL SPORT EXHAUST

SILVERADO/SIERRA 1500 TRUCK
 STANDARD CAB, LONG BED 4.3L, 4.8L, 5.3L 2/4WD
 CLASSIC STANDARD CAB, LONG BED 4.3L, 4.8L 2/4WD

PART# 65212D



| ITEM | PART # | QUANTITY | DESCRIPTION |
|------|-------------|----------|-------------------------------------|
| A | 572-700463S | 1 | 3" STAINLESS HEADPIPE W/FLGE#GP-115 |
| B | 758250S | 1 | STAINLESS SUPERFLOW MUFFLER |
| C | 505-700395S | 1 | 2-1/2" STAINLESS OVERAXLE TAILPIPE |
| D | 506-700396S | 1 | 2-1/2" STAINLESS OVERAXLE TAILPIPE |
| E | 500640-B | 2 | 4" BLACK SS TIP |
| F | 4192 | 1 | REAR MUFFLER HANGER |
| G | OHD300 | 1 | 3" CLAMP |
| H | 5757 | 1 | 2-1/2" CLAMP |
| I | BO-906 | 1 | BOLT KIT FOR TAILPIPES |
| J | 4137 | 1 | SPARE TIRE BRACKET |
| K | DE-13 | 2 | DEEGAN 38 BADGE |

Thank you for purchasing our GIBSON EXHAUST SYSTEM for your vehicle. If you need further assistance, please do not hesitate to call our Technical Department at 1-800-528-3044, Monday through Friday, 8:00 am to 5:00 PM

EXHAUST INSTALLATION #65212D

When installing this exhaust system make sure to use proper safety precautions. Use jack stands when under the truck, set parking brake, block tires and use safety glasses and gloves.

DO NOT WORK WITH HOT PIPES!

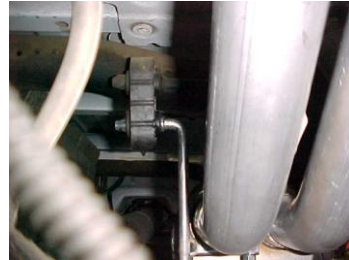
SUGGESTED TOOLS:

1/2", 9/16", 15mm wrench and socket, WD-40, Hacksaw, Jack Stand



Lay out the exhaust on the floor so it looks like the drawing and compare parts with manual. To remove the stock exhaust un-bolt it from the flange located in front of the muffler. **You will re-use your stock hardware.**

Leave all rubber grommets in place. Use WD-40 to aid in removal of the hangers. Cut your stock tailpipe off just behind the muffler for easier removal.



Install the driver side over axle tailpipe # D into the muffler. Use clamp # F to secure tailpipe to muffler. Do not tighten



Install head pipe # A onto you're existing stock flange re-using the factory hardware. Do not tighten. Insert welded hanger into rubber grommet.



Install passenger side over axle tailpipe # C into muffler and attach using clamp # H. Use bolt kit # I to attach the tailpipes together. Insert hanger into rubber grommet. Do not tighten. **YOU MAY NEED TO LOOSEN YOUR SPARE TIRE & PUSH TOWARDS DRIVER SIDE & RE-TIGHTEN.**



Install muffler #B onto head pipe # A 1-1/2" to 2" with the louvers facing towards the converter. Use a jack stand to support the muffler. Use clamp # G to secure the muffler to the head pipe. Do not tighten.



Install your black ceramic coated tips. Proceed to the next sheet on how to install your Deegan 38 badges. After you have checked for clearances go back and tighten all nuts, bolts and clamps.

MAKE SURE YOU HAVE A 1" CLEARANCE ON ALL RUBBER BRAKE LINES, SHOCK BOOTS, TIRE, FUEL LINES, ETC.