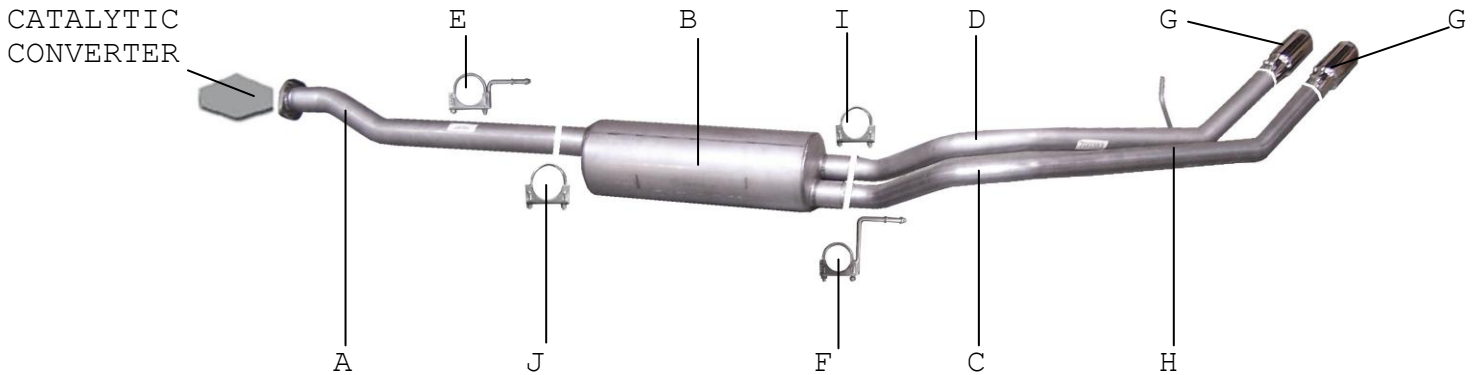




# INSTRUCTION MANUAL

## CAT-BACK DEEGAN 38 DUAL STAINLESS SPORT EXHAUST

CHEVY AVALANCHE 1500 5.3L V8 2/4WD CREW  
CAB, SHORT BED  
PART # 65702D



ITEM	PART#	QUANTITY	DESCRIPTION
A	453-700307S	1	3" STAINLESS HEADPIPE W/FLANGE #GP-115
B	758250S	1	STAINLESS SUPERFLOW MUFFLER
C	498-700382S	1	2.25" STAINLESS DRIVERSIDE TAILPIPE
D	499-700383S	1	2.25" STAINLESS PASSENGERSIDE TAILPIPE
E	4147	1	FRONT HEADPIPE HANGER
F	4181	1	REAR MUFFLER HANGER
G	500639-B	2	4" BLACK SS TIP
H	BO-906	1	BOLT KIT FOR TAILPIPES
I	5757	1	2.5" CLAMP
J	OHD300	1	3" CLAMP
K	DE-13	2	DEEGAN 38 BADGE

Thank you for purchasing our GIBSON PERFORMANCE EXHAUST SYSTEM for your vehicle. If you need further assistance, please do not hesitate to call our Technical department at 1-800-528-3044 Monday through Friday, 8:00 am to 5:00 pm.  
54X20X12

# EXHAUST INSTALLATION #65702D

WHEN INSTALLING THIS EXHAUST SYSTEM MAKE SURE YOU USE ALL THE PROPER SAFETY PRECAUTIONS. USE JACK STAND TO SUPPORT THE TRUCK WHILE OFF THE GROUND. SET PARKING BRAKE, BLOCK THE TIRES AND USE SAFETY GLASSES AND GLOVES.

**DO NOT WORK WITH HOT PIPES!**

## **SUGGESTED TOOLS:**

HACKSAW, JACKSTAND, 1/2" WRENCH & SOCKET, 15MM & 9/16" SOCKET & 9/16" WRENCH, WD-40



TO REMOVE THE STOCK EXHAUST UNBOLT IT FROM THE 2-BOLT FLANGE JUST BEHIND THE CONVERTER. FOR EASIER REMOVAL OF THE STOCK EXHAUST CUT THE STOCK TAILPIPE OFF JUST BEHIND THE MUFFLER. LEAVE ALL RUBBER GROMMETS ON THE HANGER. USE WD-40 TO AID IN REMOVAL OF THE EXHAUST AND HANGERS. **DO NOT DISGUARD HARDWARE, YOU WILL RE-USE IT.**



INSTALL PASSENGER SIDE TAILPIPE #D INTO MUFFLER 1-1/2 TO 2". INSERT WELDED HANGER INTO RUBBER GROMMET. USE CLAMP #I TO SECURE THE TAILPIPE TO THE MUFFLER. DO NOT TIGHTEN.



INSTALL HEADPIPE #A ONTO STOCK FLANGE RE-USING FACTORY NUTS TO BOLT IT TOGETHER. INSTALL HANGER #E ONTO HEADPIPE. INSERT WELDED HANGER INTO RUBBER GROMMET. DO NOT TIGHTEN.



INSTALL DRIVERS SIDE TAILPIPE #C INTO THE MUFFLER 1-1/2" TO 2". USE BOLT KIT #H TO SECURE THE TAILPIPES TOGETHER. DO NOT TIGHTEN.



INSTALL MUFFLER #B ONTO HEADPIPE 1-1/2" TO 2". USE CLAMP #J TO SECURE THE MUFFLER TO THE HEADPIPE. DO NOT TIGHTEN. INSTALL REAR MUFFLER HANGER #F ONTO THE DRIVERSIDE MUFFLER OUTLET. INSERT WELDED HANGER INTO RUBBER GROMMET. DO NOT TIGHTEN



INSTALL YOUR BLACK CERAMIC COATED TIPS. PROCEED TO THE NEXT SHEET ON HOW TO INSTALL YOUR DEEGAN 38 BADGES. AFTER YOU HAVE CHECKED FOR CLEARANCES GO BACK AND TIGHTEN ALL NUTS, BOLTS AND CLAMPS.

**"MAKE SURE YOU HAVE A MINIMUM OF 1" CLEARANCE ON ALL PIPES FROM BRAKE LINES, FUEL LINES, SHOCKS, TIRES, ETC..."**