

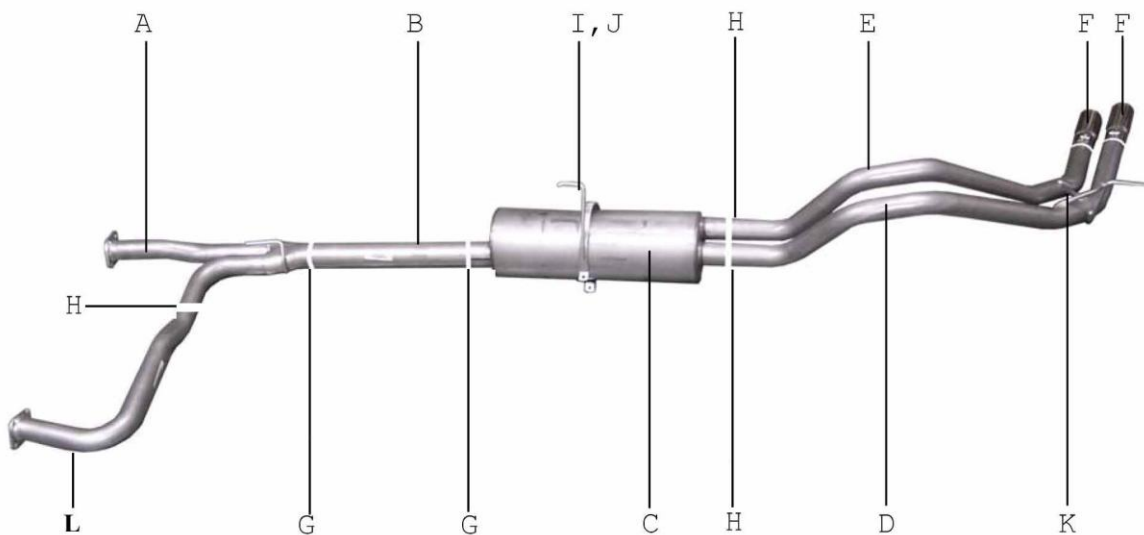


PERFORMANCE EXHAUST SYSTEMS

# INSTRUCTION MANUAL

## CAT-BACK STAINLESS DEEGAN 38 DUAL SPORT EXHAUST

NISSAN TITAN 5.6L V8 4WD  
KING & CREW CAB, SHORT BED  
PART# 68300D



ITEM	PART #	QUANTITY	DESCRIPTION
A	794-700550S	1	2 1/2" SS Y-PIPE W/GP-110 FLANGE
B	795-700551S	1	3" STAINLESS RESONATOR
C	758250S	1	STAINLESS SUPERFLOW MUFFLER
D	797-700552S	1	2-1/2" STAINLESS DRIVERS TAILPIPE
E	798-700553S	1	2-1/2" STAINLESS PASSENGER TAILPIPE
F	500640-B	2	4" BLACK SS TIP
G	OHD300	2	3"CLAMPS
H	5757	3	2-1/2" CLAMPS
I	4322	1	BAND CLAMP
J	BO-1015	1	BOLT KIT FOR BAND CLAMP
K	BO-906	1	BOLT KIT FOR TAILPIPES
L	1336-700550S-1	1	2 1/2" SS Y-PIPE W/GP-110 FLANGE
M	DE-13	2	DEEGAN 38 BADGE

Thank you for purchasing our GIBSON EXHAUST SYSTEM for your vehicle.  
 If you need further assistance, please do not hesitate to call our  
 Technical Department at 1-800-528-3044 Monday through Friday, 8:00am  
 to 5:00PM.06100  
 60X22X13

# EXHAUST INSTALLATION #68300D

When installing this exhaust system make sure to use proper safety precautions. Use jack stands when under the truck, set parking brake, block tires and use safety glasses and gloves.

**DO NOT WORK WITH HOT PIPES!**

## SUGGESTED TOOLS:

1/2", 9/16", 12MM/14MM/15MM Socket, WD-40, Jack Stand, Hacksaw or Sawzall



LAY OUT THE GIBSON EXHAUST ON THE FLOOR AND COMPARE PART #'S TO THE DRAWING. TO REMOVE YOUR FACTORY EXHAUST UN-BOLT YOUR TAILPIPE AT THE 2-BOLT FLANGE LOCATED BEHIND YOUR STOCK MUFFLER USE WD-40 TO AID YOU IN REMOVAL OF HANGERS FROM RUBBER GROMMETS.



INSTALL BAND CLAMP # I ONTO MUFFLER, INSERT HANGER INTO RUBBER GROMMET, USE BOLT KIT PROVIDED, DO NOT TIGHTEN.



NEXT, UN-BOLT YOUR EXHAUST FROM THE 2-BOLT FLANGES LOCATED JUST BEHIND YOUR FACTORY CATALYTIC CONVERTERS, DO NOT DISGUARD YOUR FACTORY GASKETS AND HARDWARE YOU WILL RE-USE IT.



INSTALL PASS. SIDE TAILPIPE # E INTO MUFFLER 1 1/2"-2". USE CLAMP # H TO SECURE PIPE TO MUFFLER, DO NOT TIGHTEN.



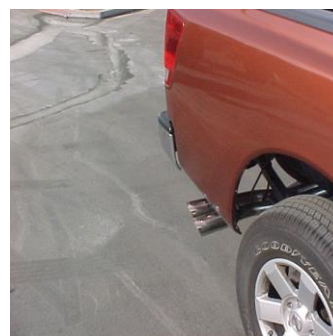
INSTALL Y-PIPE # A & L ONTO STOCK FLANGES USE YOUR STOCK HARDWARE TO SECURE INSERT WELDED HANGER INTO RUBBER GROMMET, DO NOT TIGHTEN. USE CLAMP # H TO SECURE PIPES TOGETHER. DO NOT TIGHTEN.



NEXT, INSTALL DRIVERS SIDE TAILPIPE # D INTO MUFFLER 1 1/2" -2". USE CLAMP # H TO SECURE PIPE TO MUFFLER, DO NOT TIGHTEN. INSERT WELDED HANGER INTO RUBBER GROMMET, BOLT TAILPIPES TOGETHER WITH



NEXT, INSTALL RESONATOR # B 1 1/2"-2" ONTO Y-PIPE USE CLAMP # G TO SECURE PIPES TOGETHER, DO NOT TIGHTEN.



INSTALL YOUR BLACK CERAMIC COATED TIPS. PROCEED TO THE NEXT SHEET ON HOW TO INSTALL YOUR DEEGAN 38 BADGES. AFTER YOU HAVE CHECKED FOR CLEARANCES GO BACK AND TIGHTEN ALL NUTS, BOLTS AND CLAMPS.



INSTALL MUFFLER # C ONTO YOUR RESONATOR 1 1/2" -2". USE CLAMP # G TO SECURE MUFFLER TO THE PIPE, DO NOT TIGHTEN.

**MAKE SURE YOU HAVE A 1" CLEARANCE ON ALL RUBBER BRAKE LINES, SHOCK BOOTS, TIRES, FUEL LINES, ETC...**