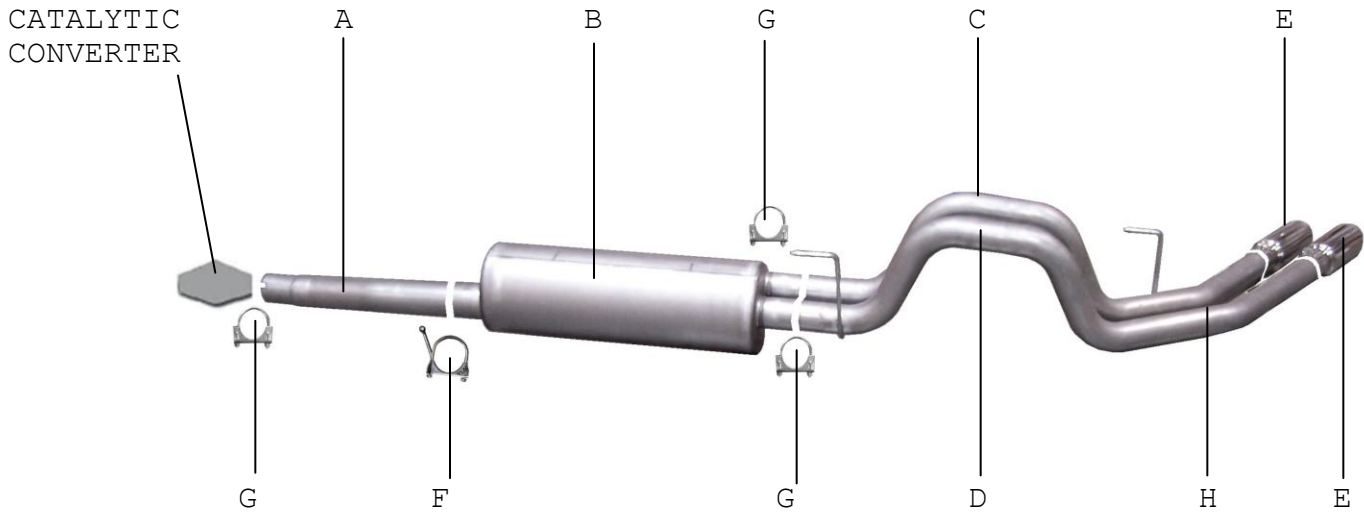




INSTRUCTION MANUAL
CAT-BACK STAINLESS DEEGAN 38 DUAL SPORT
EXHAUST
FORD F150 TRUCK 4.6L 2/4WD
STANDARD CAB, SHORT BED
PART # 69202D



ITEM	PART#	QUANTITY	DESCRIPTION
A	846-700581S	1	3" STAINLESS HEADPIPE
B	758250S	1	SUPERFLOW STAINLESS MUFFLER
C	852-700582S	1	2-1/2" SS PASSENGER TAILPIPE
D	853-700583S	1	2-1/2" SS DRIVERSIDE TAILPIPE
E	500640-B	2	4" BLACK SS TIP
F	4326	1	FRONT MUFFLER HANGER
G	5757	3	2-1/2" CLAMP
H	BO-906	1	BOLT KIT FOR TAILPIPES
I	DE-13	2	DEEGAN 38 BADGE

MFG BEFORE AUGUST 2004

Thank you for purchasing our GIBSON PERFORMANCE EXHAUST SYSTEM for your vehicle. If you need further assistance, please do not hesitate to call our Technical department at 1-800-528-3044 Monday through Friday, 8:00 am to 5:00 pm.

EXHAUST INSTALLATION #69202D

WHEN INSTALLING THIS EXHAUST SYSTEM MAKE SURE YOU USE ALL THE PROPER SAFETY PRECAUTIONS. USE JACK STAND TO SUPPORT THE TRUCK WHILE OFF THE GROUND. SET PARKING BRAKE, BLOCK THE TIRES AND USE SAFETY GLASSES AND GLOVES. **DO NOT WORK WITH HOT PIPES!**

SUGGESTED TOOLS:

HACKSAW, JACKSTAND, 1/2" WRENCH & SOCKET, 9/16" SOCKET & WRENCH, WD-40, MEASURING TAPE

TO REMOVE STOCK EXHAUST SEE BELOW FOR PROPER VEHICLE APPLICATION.



TO REMOVE YOUR STOCK EXHAUST, REMOVE IT FROM THE CLAMP LOCATED JUST IN FRONT OF THE MUFFLER REMOVE HANGERS FROM RUBBER GROMMETS BY PULLING EXHAUST TOWARDS THE REAR OF THE VEHICLE, USE WD-40 TO AID IN REMOVAL, LEAVE GROMMETS IN PLACE.



INSTALL PASS. SIDE TAILPIPE # C INTO MUFFLER 1 1/2" TO 2". INSERT HANGER INTO RUBBER GROMMET, USE CLAMP # G TO SECURE PIPE TO MUFFLER. DO NOT TIGHTEN. YOU MAY NEED TO LOOSEN AND PUSH OVER TOWARDS THE DRIVERS SIDE AND RE-TIGHTEN.



INSTALL HEADPIPE # A INTO STOCK PIPE. THE END OF THE PIPE SHOULD BE AT THE 9 O'CLOCK POSITION, USE CLAMP # H TO SECURE PIPES TOGETHER, DO NOT TIGHTEN.



INSTALL DRIVERS SIDE TAILPIPE # D INTO MUFFLER 1 1/2" TO 2". INSERT HANGER INTO RUBBER GROMMET, USE CLAMP # G TO SECURE PIPE TO MUFFLER. DO NOT TIGHTEN. THE TAB ON THIS PIPE SHOULD GO ON TOP OF PASSENGER SIDE PIPE USE BOLT KIT # J TO SECURE TOGETHER.



INSTALL MUFFLER # B ONTO HEADPIPE 1 1/2" TO 2". USE A JACK STAND TO HOLD UP THE MUFFLER. OUTLETS SHOULD BE ON THE TOP.



INSTALL YOUR BLACK CERAMIC COATED TIPS. PROCEED TO THE NEXT SHEET ON HOW TO INSTALL YOUR DEEGAN 38 BADGES. AFTER YOU HAVE CHECKED FOR CLEARANCES GO BACK AND TIGHTEN ALL NUTS, BOLTS AND CLAMPS.



INSTALL FRONT MUFFLER HANGER # F ONTO MUFFLER INLET, INSERT HANGER INTO RUBBER GROMMET, DO NOT TIGHTEN. USE BOLT KIT # I TO SECURE.

MAKE SURE YOU AT LEAST A 1" CLEARANCE ON ALL BRAKE LINES, FUEL LINES, SHOCKS, TIRES, ETC.