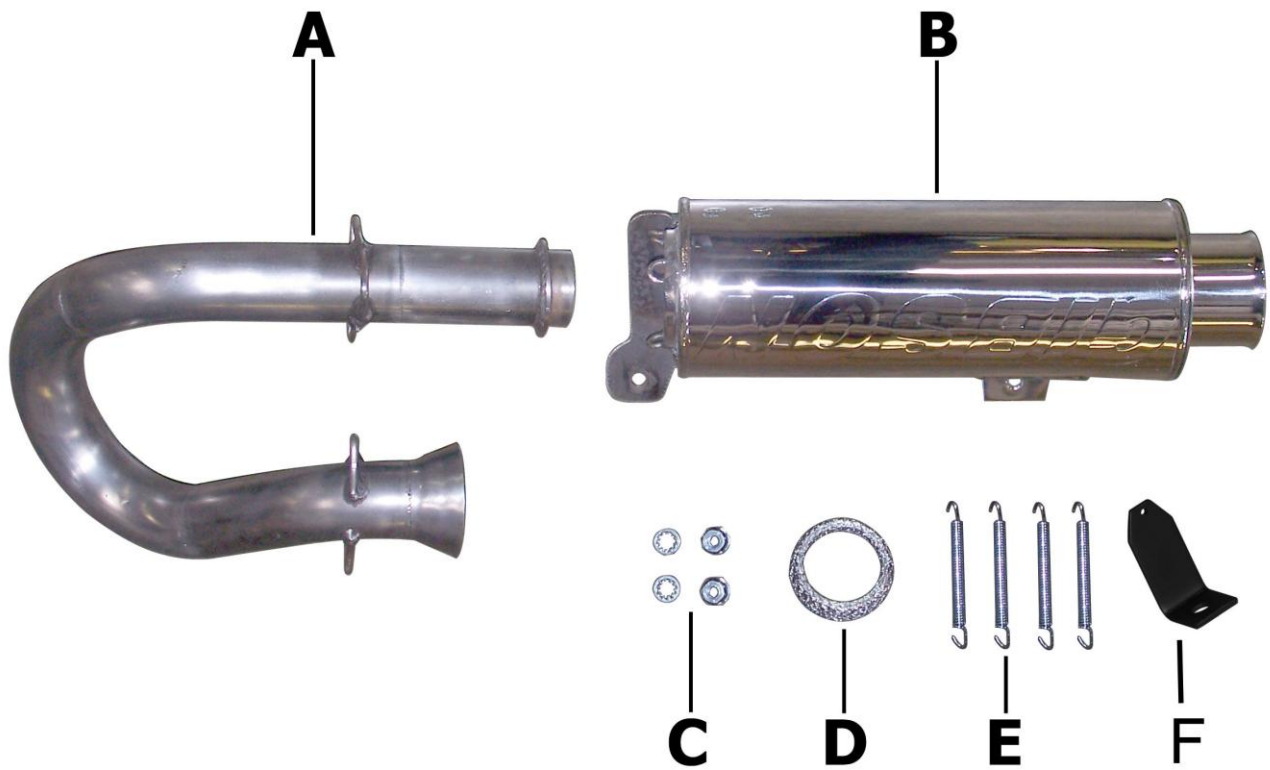




Installation Instructions

Stainless Mid-pipe and Muffler Assembly
Yamaha Rhino 700

Part #96010



ITEM	PART	QUANTITY	DESCRIPTION
A	RH-5	1	Stainless Mid-pipe
B	RH-6	1	Stainless Gibson Muffler
C	BO-1066	1	Nuts and Washers
D	RH011	1	Donut gasket
E	RH017	4	Springs
F	RH049	1	L-Bracket

Thank you for purchasing our Gibson Exhaust System for your vehicle.
If you need further assistance, please do not hesitate to call our technical department at
(800) 528 -3044 Monday through Friday, 8am to 5 pm.

Installation Instructions #96010

When installing this exhaust system make sure to use proper safety precautions. Make sure to set parking brake, block tires and use safety glasses and gloves. Allow exhaust to cool before attempting installation. Severe injury or burns could occur if safety measures are not taken.

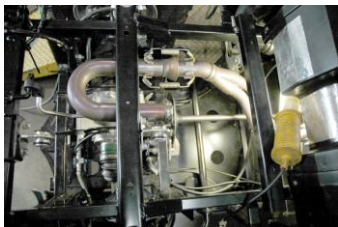
SUGGESTED TOOLS: 8, 10, 12mm wrenches & sockets, WD-40, hacksaw, jack stands



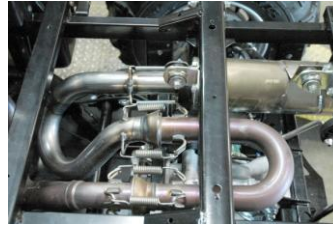
1. Lift and remove bed to access stock exhaust. Remove stock heat shield using a 10mm socket and wrench.



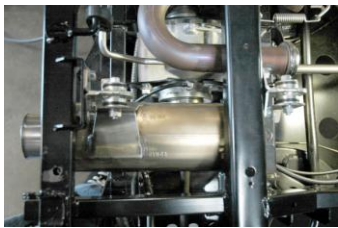
4. Next, install mid-pipe between factory headpipe and Gibson muffler. At factory connection reuse the 2 factory springs. At the Gibson inlet use the 3 supplied springs in addition to the donut gasket.



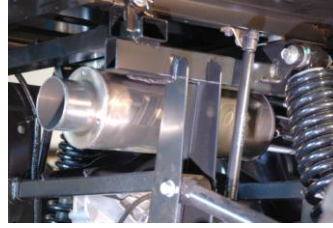
2. Now remove stock muffler using 12mm wrench or socket. Also disconnect the 2 factory exhaust springs.



5. After muffler and mid-pipe are in place double check all springs and bolts are in place and tight.



3. Now install Gibson muffler into stock location reusing factory bolts and using supplied 8mm nuts and lock washers. Tighten into place.



6. Now install factory heat shield back onto the vehicle and attach bed assembly.



7. Remove 12 mm bolt to the left of the hanger bracket. Affix the new bracket with factory bolt. Rotate clockwise if pipe is sagging. Rotate counter clockwise if too high.



GIBSON EXHAUST systems are designed on a factory stock vehicle. Any aftermarket products installed could increase the sound levels of the exhaust. **Make sure there is a 1" clearance from ALL rubber brake lines, shock boots, lines, tires, etc. to prevent heat related damage or fire.**