

INSTALLATION INSTRUCTIONS

PART#4924(B-C-PS)

07-13 Jeep Wrangler Unlimited(4Dr)Sport, S, X, Saharan, Rubicon, Altitude & Freedom Edition-COD,
(All models w/out factory rock rails)

Parts List:

QTY

- (1) Set Side Bars
- (1) Set Front Brackets
- (1) Set Rear Brackets

(1) Hardware kit 37143:

- (4) 1/2 x 2" bolts
- (4) 1/2" lock washers
- (4) 1/2" flat washers

Tools required:

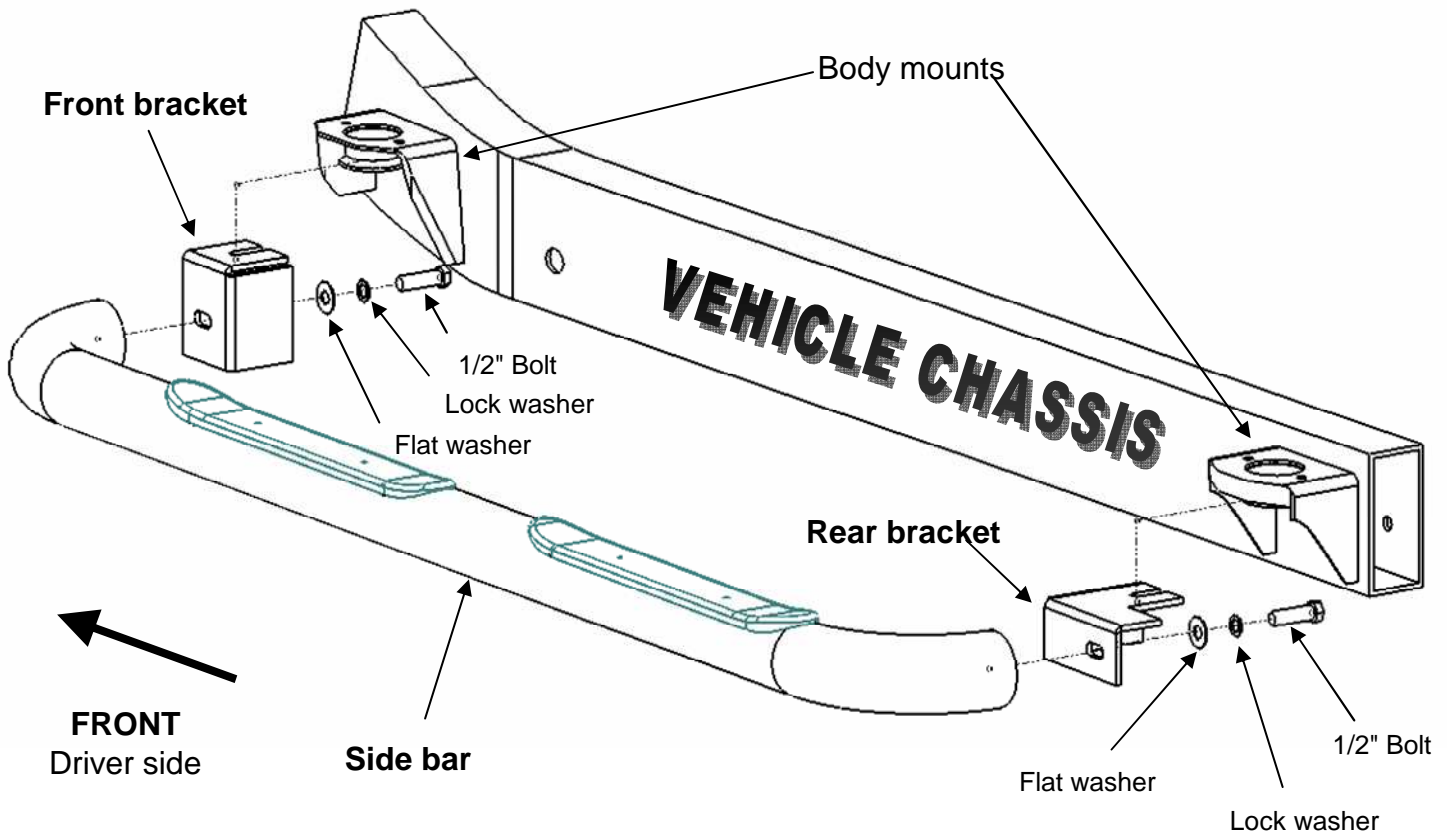
- | | | |
|--------------|-------------|---------|
| 18 mm socket | 3/4" socket | Ratchet |
| 18 mm wrench | 3/4" wrench | |

Instructions:

Approximated installation time: 30 min.

1. Before beginning the installation, please read the instructions thoroughly and verify that the hardware kit is complete. If any of the pieces listed above are missing, call you distributor immediately to obtain the necessary items.
2. Identify your product's components. The front of the side bar has the step pad farther from the edge.
3. Locate the body mountings and loosen the bolts using the 18 mm socket and ratchet. **DO NOT TRY TO REMOVE THE BOLT COMPLETELY, JUST LOOSEN ENOUGH TO INSERT THE BRACKET.**
4. Install the front and rear brackets on the vehicle.
5. Attach the side bar to the brackets using one 1/2" bolt, one flat washer and one lock washer for each one.
6. Align the side bar and tighten all hardware.
7. Repeat for the other side of vehicle.
8. Fill out the warranty card included and place it inside your vehicle. Remember to periodically check and re-secure all hardware.

Assembly Diagram:



Cleaning and care instructions:

Diseño:

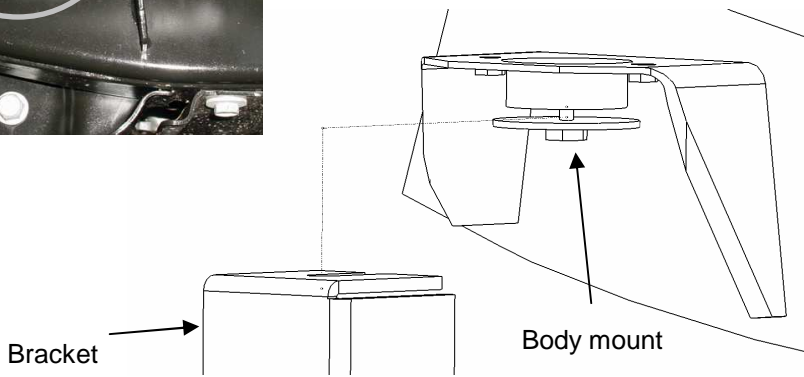
Calidad:

Protect the finish with a non-abrasive automotive wax, (e.g. Pure Carnauba) on a regular basis. The use of any soap, polish, or wax that contains an abrasive is detrimental to the finish, as the compounds scratch the finish and cause corrosion.

INSTALLATION INSTRUCTIONS
PART#4924(B-C-PS)



Body mount's location



DO NOT TRY TO REMOVE THE BOLT COMPLETELY, JUST LOOSEN ENOUGH TO INSERT THE BRACKET.



Installed product

Cleaning and care instructions:

Diseño:

Calidad:

Protect the finish with a non-abrasive automotive wax, (e.g. Pure Carnauba) on a regular basis. The use of any soap, polish, or wax that contains an abrasive is detrimental to the finish, as the compounds scratch the finish and cause corrosion.