



10922HKR ALTERNATOR / GENERATOR BRACKET

This Hooker bracket is required for any Chevy with a generator or alternator mounted on the right side exhaust manifold. Use the two (1") one inch header bolts provided with your headers to attach the bracket to the front flange bolt holes, as illustrated. If your generator or alternator is not equipped with a stock mounting bracket that bolts directly to the Hooker generator / alternator bracket, it will be necessary to purchase the Hooker bracket indicated from your local Hooker dealer.

LIMITATION OF LIABILITY – DISCLAIMER

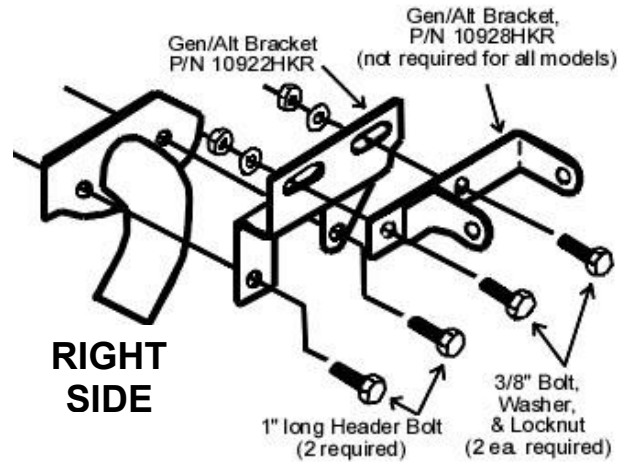
The regulation of emissions production, noise levels, and safety standards is undertaken by the federal government, each of the fifty state legislatures, and by many local municipalities, towns, and counties.

HOOKER Industries makes no warranties of merchantability, of fitness for particular purpose, or that its products are approved for general use, or that its products comply with laws, regulations, or ordinances in the states where they may be sold to the ultimate purchaser, the consumer.

Unless expressly stated to the contrary in the catalog, instruction sheet, or price list, the entire risk as to the conformity of any company product in any such state and as to repair should the product prove to be defective or nonconforming, is on the retail purchaser, the buyer, the ultimate consumer, of such product and it is not upon the seller, distributor, or manufacturer.

In this connection, the retail purchaser, the buyer, the ultimate consumer assumes the burden of the entire cost of any and all necessary service, alterations, or repair.

The foregoing statement limits the liability of the manufacturer.



10922HKR ALTERNATOR / GENERATOR BRACKET

This Hooker bracket is required for any Chevy with a generator or alternator mounted on the right side exhaust manifold. Use the two (1") one inch header bolts provided with your headers to attach the bracket to the front flange bolt holes, as illustrated. If your generator or alternator is not equipped with a stock mounting bracket that bolts directly to the Hooker generator / alternator bracket, it will be necessary to purchase the Hooker bracket indicated from your local Hooker dealer.

LIMITATION OF LIABILITY – DISCLAIMER

The regulation of emissions production, noise levels, and safety standards is undertaken by the federal government, each of the fifty state legislatures, and by many local municipalities, towns, and counties.

HOOKER Industries makes no warranties of merchantability, of fitness for particular purpose, or that its products are approved for general use, or that its products comply with laws, regulations, or ordinances in the states where they may be sold to the ultimate purchaser, the consumer.

Unless expressly stated to the contrary in the catalog, instruction sheet, or price list, the entire risk as to the conformity of any company product in any such state and as to repair should the product prove to be defective or nonconforming, is on the retail purchaser, the buyer, the ultimate consumer, of such product and it is not upon the seller, distributor, or manufacturer.

In this connection, the retail purchaser, the buyer, the ultimate consumer assumes the burden of the entire cost of any and all necessary service, alterations, or repair.

The foregoing statement limits the liability of the manufacturer.

