



2451HKR (black paint), 2451-1HKR (silver ceramic), 2451-2HKR (stainless), 2451-3HKR (Darkside black ceramic), and 2451-4HKR (Titanium)

Competition Header 265-400 Chevy Engine Instruction Sheet

WARNING! Breaking in an engine with ceramic-coated headers **WILL** result in damage to the coating and will **VOID** all warranties. Ceramic-coated headers require several heat cycles to fully cure before they will withstand extreme heat. Hooker® recommends using cast iron exhaust manifolds or old headers to break in new engines to avoid coating damage. Please call tech service at 270-781-9741 for additional information regarding ceramic-coated exhaust products.

BEFORE STARTING

Your vehicle must be raised a minimum of 36 inches. A floor hoist is ideal. If no hoist is available we strongly urge the use of axle stands as a safety measure.

CAUTION! Your car should not be supported on a bumper jack prior to installing headers, take the time to make a careful and complete inspection of both engine and transmission mounts. Replace them if they look worn or damaged, otherwise this may affect the header fitting into your vehicle properly.

HEADER INSTALLATION PROCEDURE/ DISASSEMBLY & ASSEMBLY INSTRUCTIONS **PLEASE READ THOROUGHLY & CAREFULLY**

LEFT SIDE

1. Disconnect the battery cable to prevent damage to the electrical systems.
2. Unbolt the headpipe from the stock cast iron manifold and push aside.
3. Remove the spark plugs, alternator, clutch linkage, oil filter, dipstick tube, and (on late model cars) unbolt the power steering bracket. 1976 models may not require oil filter position.
4. Starting from below, work the header up through the chassis into position.

NOTE: On some year models, it will be necessary to remove the two struts that bolt to the sub-frame. See illustration A.

5. Place the gasket into position and start all bolts (the most restricted first).

NOTE: If equipped with a smog air comp (connect to manifold at head), remove the injection tubes from the stock exhaust manifold and install them in the bushings on the headers. See illustration B.

6. Replace the clutch linkage, oil filter, dipstick tube, alternator, and spark plugs. On late model cars with power steering, use the spacer provided in the accessory package and the long bolt from the stock exhaust manifold to remount the power steering. See illustration C.

NOTE: **A)** Early models will require conversion screw-on type oil filter.
B) Modify the clutch linkage as shown in illustration D.
C) Models with generator/alternator on the left side must purchase Hooker bracket P/N (10928HKR). See illustration E.
D) If the header is equipped with bushings for smog injection tubes, the bracket must be notched to clear the bushings. See illustration F. If the stock exhaust manifold had less than 4 smog injection tubes, any unused smog bushings on your headers must be plugged. Use 1/4" pipe plugs or 1/2"-18 bolts or weld a cap over the bushing(s). See illustration B.

RIGHT SIDE

1. Remove the spark plugs, stock exhaust manifold, and starter. On cars equipped with air conditioning, unbolt the compressor and lay aside. Some year models may not require starter removal.

NOTE: Some models may require the floor board heat shield removal for adequate header clearance.

2. Starting from below, work the header up through the chassis into position. Some year models may require the engine to be raised straight slightly (use a board between the pan and jack).
3. Place the gasket into position and start all the bolts (most restricted first).

NOTE: If equipped with a smog air comp (connect to manifold at head), remove the injection tubes from the stock exhaust manifold and install them in the bushings on the headers. See illustration B.

4. Replace the starter and connect the wires. Reroute the wires as needed for clearance.
5. Tighten all bolts evenly and replace the spark plugs.
6. To connect the collector to your stock exhaust system, purchase the Hooker reducer kit P/N 11030HKR. Position the gasket and the bolt the reducer to the collector. Cut the head pipe to the correct length and weld the reducer.

NOTE: Finish the performance job your headers started by adding a Hooker competition dual exhaust system. Large 2 1/4" diameter tubing is mandrel bent, not press bent. Mandrel bending maintains a consistent inside diameter form maximum flow; press bending will crush the pipe, easily reducing volume by more than 10%. Our dual exhaust system is perfect when used in conjunction with Hooker Super Competition Turbo 21105HKR or Hooker Competition Turbo 21005HKR. Purchase dual exhaust no. 16520HKR: 1970-81 Camaro; 1978-81 Firebird; 1968-79 Chevy II Nova. Purchase dual exhaust no. 16500HKR: All other applications for header 2451HKR (16500HKR includes 2 competition turbos).

7. Connect the battery, start the engine, and check for leaks. Be sure that all brake lines, fuel lines, and electrical wires have sufficient clearance. Reroute, as necessary.
8. When finished, give your car a test drive, checking carefully for any new noises. After several days of driving, retighten all the bolts.

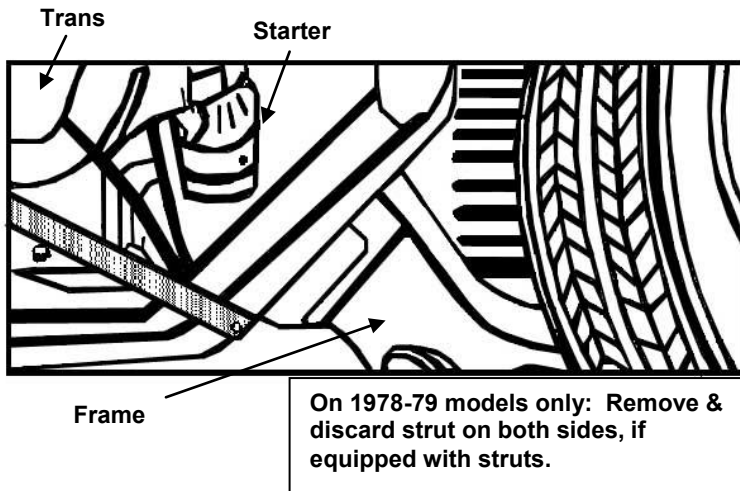


Illustration A

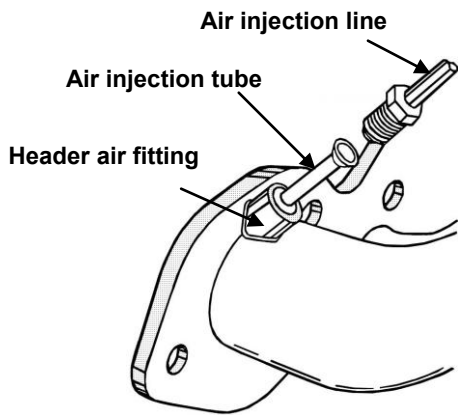


Illustration B

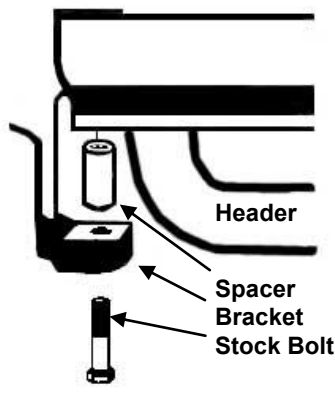


Illustration C

Models equipped with power steering requires power steering spacer, provided in accessory package.

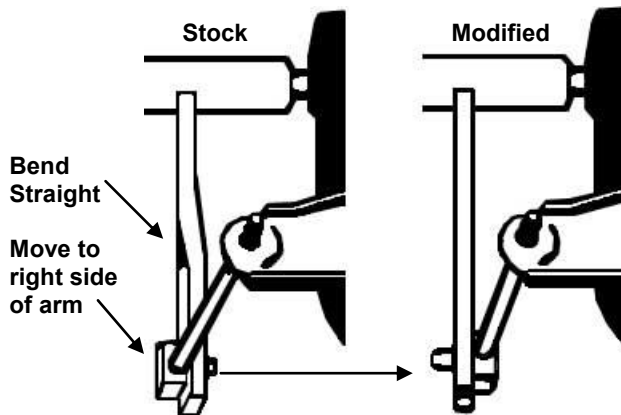
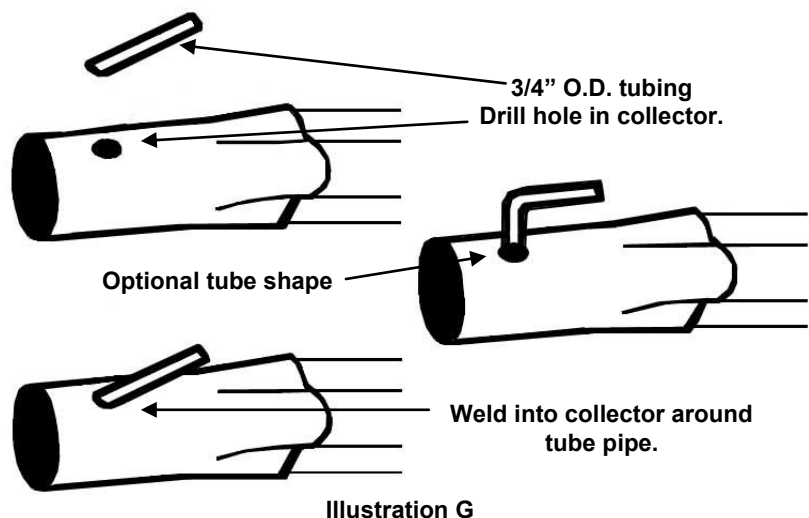
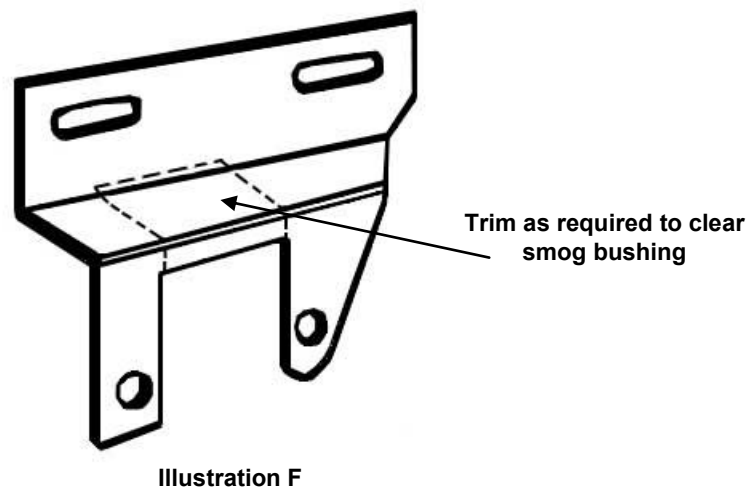
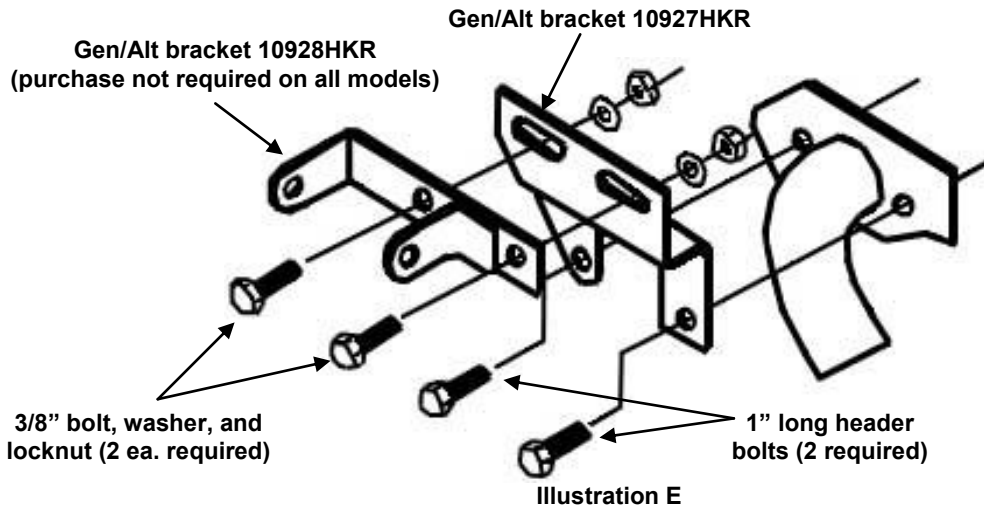


Illustration D: Clutch Linkage Modification



LIMITATION OF LIABILITY – DISCLAIMER

The regulation of emissions production, noise levels, and safety standards is undertaken by the federal government, each of the fifty state legislatures, and by many local municipalities, towns, and counties.

HOKKER Industries makes no warranties of merchantability, of fitness for particular purpose, or that its products are approved for general use, or that its products comply with laws, regulations, or ordinances in the states where they may be sold to the ultimate purchaser, the consumer.

Unless expressly stated to the contrary in the catalog, instruction sheet, or price list, the entire risk as to the conformity of any company product in any such state and as to repair should the product prove to be defective or nonconforming, is on the retail purchaser, the buyer, the ultimate consumer, of such product and it is not upon the seller, distributor, or manufacturer.

In this connection, the retail purchaser, the buyer, the ultimate consumer assumes the burden of the entire cost of any and all necessary service, alterations, or repair.

The foregoing statement limits the liability of the manufacturer.

California vehicle code sections 27156 and 38391 prohibit the advertising, offering for sale, or installation of any device, which modifies a vehicle's emission control system unless exempted. Unless otherwise noted, HOKKER HEADERS have not received an exemption from these code sections and are not legal for sale or use in California on vehicles originally equipped with catalytic converters. It is illegal, except for racing vehicles, which may never be driven upon a highway, to remove or otherwise render inoperative any emission control device on regulated motor vehicles. Check catalog listings to ensure proper application. In the other 49 states, unless otherwise noted, HOKKER HEADERS are not legal for pollution controlled motor vehicles, except for racing vehicles, which may never be used upon a highway and are not intended or applicable for highway use.

**Hooker Technical Support
Toll-Free Phone: 1-866-GOHOLLEY
Phone: 1-270-781-9741
Fax: 1-270-781-9772**

For online help, please refer to the Tech Service section of our website: www.holley.com

**2451HKR
199R10420
Date: 8-25-06**