



## 2455HKR (black), 2455-1HKR (metallic ceramic), & 2455-2HKR (stainless) Competition Header for 70-72 Chevy Camaro, 64-74 Chevelle/EI Camino/Caballero/Sprint, 70-74 Monte Carlo, & 71-74 Passenger Car/Wagon Instruction Sheet

**NOTE:** This will not fit with a manual transmission on the Monte Carlo or late passenger/wagon models.

**NOTE:** This will not fit on Camaros with a column shift.

**WARNING!** Breaking in an engine with ceramic-coated headers WILL result in damage to the coating and will VOID all warranties. Ceramic-coated headers require several heat cycles to fully cure before they will withstand extreme heat. Hooker® recommends using cast iron exhaust manifolds or old headers to break in new engines to avoid coating damage. Please call tech service at 1-866-GOHOLLEY for additional information regarding ceramic-coated exhaust products.

### **BEFORE STARTING**

Your vehicle must be raised a minimum of 36 inches. A floor hoist is ideal. If no hoist is available we strongly urge the use of axle stands as a safety measure.

**CAUTION!** Your car should not be supported on a bumper jack prior to installing headers, take the time to make a careful and complete inspection of both engine and transmission mounts. Replace them if they look worn or damaged, otherwise this may affect the header fitting into your vehicle properly.

### **HEADER INSTALLATION PROCEDURE/ DISASSEMBLY & ASSEMBLY INSTRUCTIONS** **PLEASE READ THOROUGHLY & CAREFULLY**

#### **LEFT SIDE**

1. Disconnect the battery cable to prevent damage to the electrical systems.
2. Unbolt the headpipe from the stock exhaust manifold and push aside.
3. Remove the spark plugs, oil filter, clutch linkage (if so equipped), center motor mount bolt, air conditioning (if mounted on left side), and power steering (if mounted on head).

**NOTE:** On some models, it will be necessary to bend the frame support rod to clear the headers, or remove it. See *Figure A*.

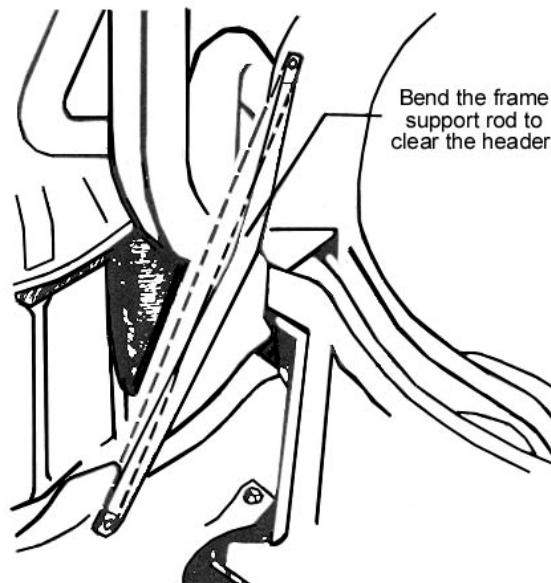


Figure A

**NOTE:** Some models require the brake line block to be relocated from the side of the frame to the top of the frame to provide maximum clearance for the header.

4. Place a board under the oil pan and jack up the engine approximately 2 inches.
5. Starting from below, work the header up through the chassis into position.

**NOTE:** It may be necessary to modify the motor mount, according to **Figure B**, if the L-1 pipe does not have sufficient clearance.

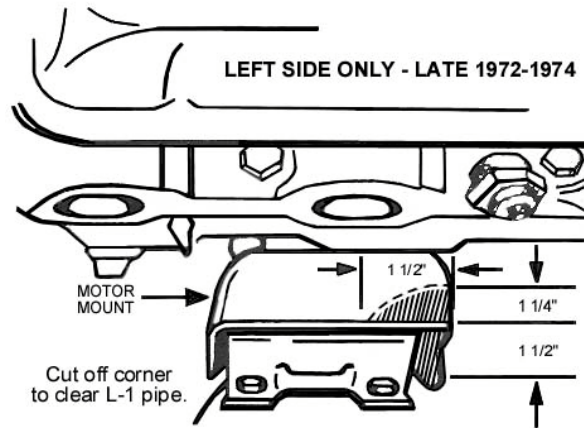


Figure B

6. Lower the engine and replace the motor mount bolts.
7. Position the gasket and start all bolts. Tighten all bolts evenly.
8. Replace the spark plugs, oil filter, and clutch linkage (if removed).
9. To remount the air conditioning, modify the stock bracket. 1964-72 models: see **Figure C**. 1973-74 models: see **Figure D**.

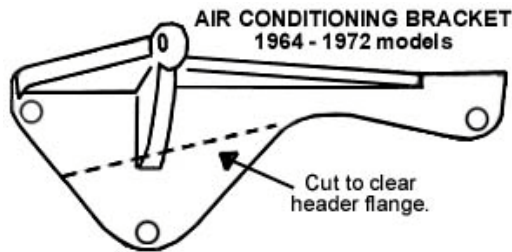


Figure C

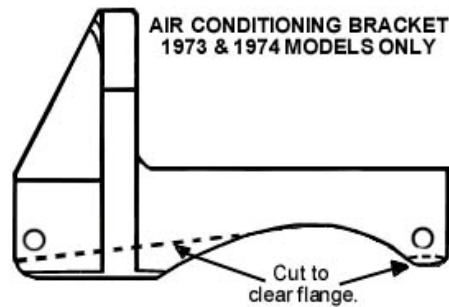


Figure D

**NOTE:** Some 1968 models will require a fabrication of a 3/4" spacer for the power steering mounting bolt. See **Figure E**.

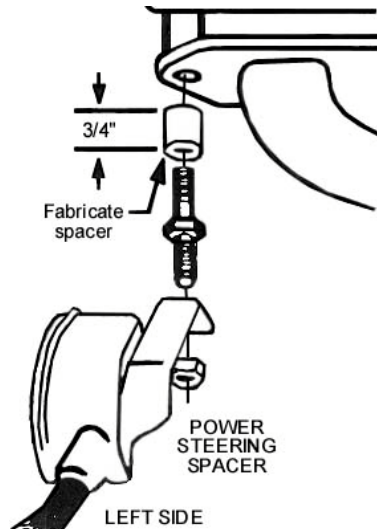


Figure E

## RIGHT SIDE

1. Remove the spark plugs, dipstick tube, stock exhaust manifold, and air conditioning (if mounted on right side).
2. Starting from below, work the header up through the chassis into position. Check the clearances.

**NOTE:** It may be necessary to increase clearances. 1) Bend or remove the frame support brace. See **Figure A**. 2) Trim A-frame bolts flush with the nuts. See **Figure F**. 3) Slightly dent the header pipe R-2 according to **Figure G** (this modification will not affect performance).

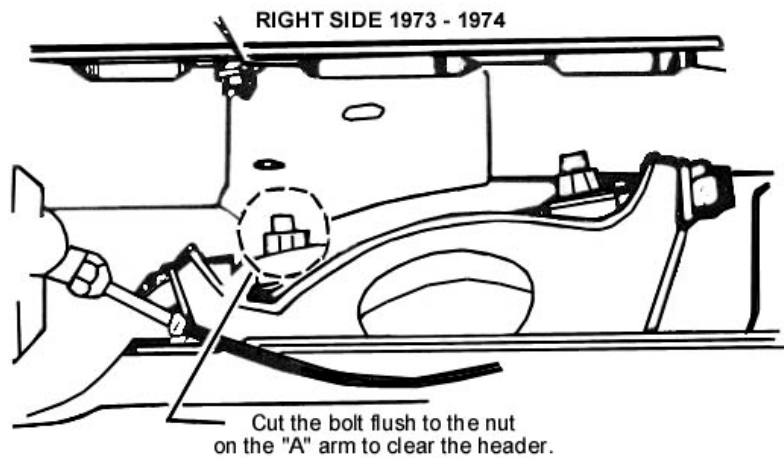


Figure F

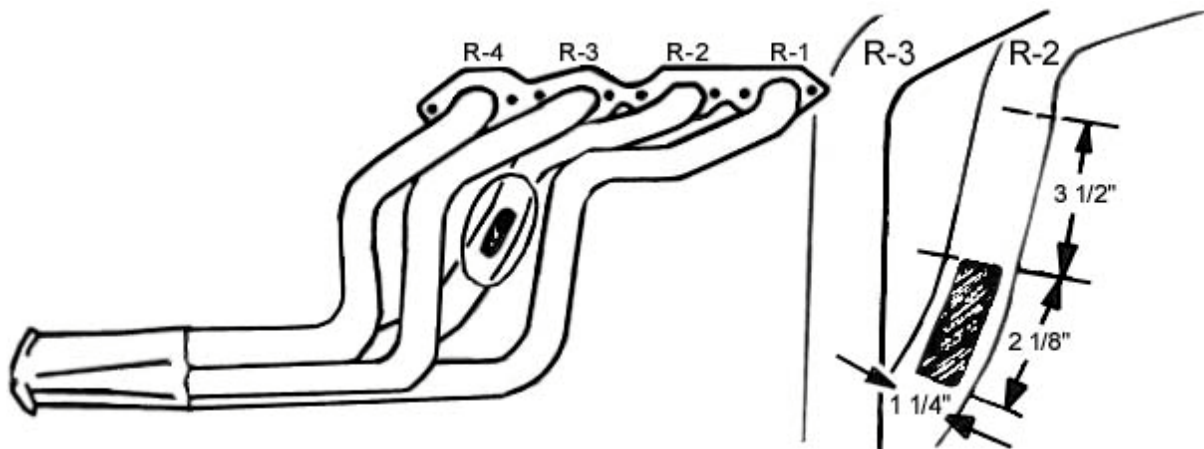


Figure G

3. Position the gasket and start all bolts. Tighten all bolts evenly.
4. For models with automatic transmissions, check the cooler lines for header clearance. Reroute, as necessary.
5. Replace the spark plugs and dipstick tube.
6. For models equipped with air conditioning mounted on the right side, it is required to modify the mounting bracket for header clearance. Fabricate two spacers (3/8" approximately) and install using two stock exhaust manifold bolts. See **Figure H**.

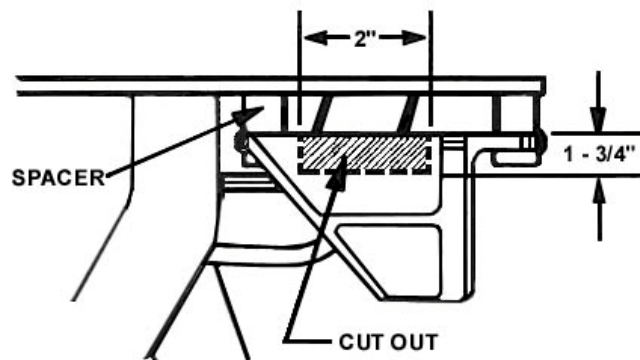


Figure H

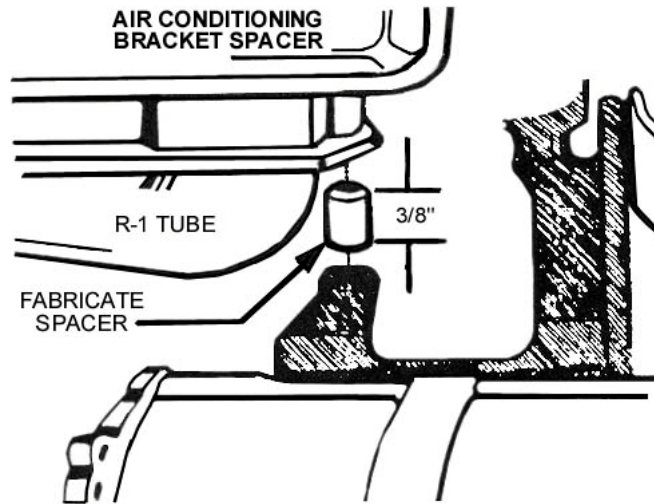


Figure 1

**NOTE:** 1968 Chevelle/El Camino models: Fabricate a spacer and use one bolt from the stock exhaust manifold. See *Figure 1*.

7. To connect the collector to the headpipe, purchase a Hooker reducer kit, P/N 11035HKR.

**NOTE:** Finish the performance job your headers started by adding a Hooker competition dual exhaust system. Large 2 1/4" diameter tubing is mandrel bent, not press bent. Mandrel bending maintains a consistent inside diameter form maximum flow; press bending will crush the pipe, easily reducing volume by more than 10%. Our universal dual exhaust system comes with 2 Hooker Competition Turbo Mufflers (no reducer is required). Purchase P/N 16500HKR.

8. Connect the battery, start the engine, and check for leaks. Be sure that all brake lines, fuel lines, and electrical wires have sufficient clearance. Reroute, as necessary.

9. When finished, give your car a test drive, checking carefully for any new noises. After several days of driving, retighten all the bolts.

## LIMITATION OF LIABILITY – DISCLAIMER

The regulation of emissions production, noise levels, and safety standards is undertaken by the federal government, each of the fifty state legislatures, and by many local municipalities, towns, and counties.

HOKKER Industries makes no warranties of merchantability, of fitness for particular purpose, or that its products are approved for general use, or that its products comply with laws, regulations, or ordinances in the states where they may be sold to the ultimate purchaser, the consumer.

Unless expressly stated to the contrary in the catalog, instruction sheet, or price list, the entire risk as to the conformity of any company product in any such state and as to repair should the product prove to be defective or nonconforming, is on the retail purchaser, the buyer, the ultimate consumer, of such product and it is not upon the seller, distributor, or manufacturer.

In this connection, the retail purchaser, the buyer, the ultimate consumer assumes the burden of the entire cost of any and all necessary service, alterations, or repair.

**The foregoing statement limits the liability of the manufacturer.**

California vehicle code sections 27156 and 38391 prohibit the advertising, offering for sale, or installation of any device, which modifies a vehicle's emission control system unless exempted. Unless otherwise noted, HOOKER HEADERS have not received an exemption from these code sections and are not legal for sale or use in California on vehicles originally equipped with catalytic converters. It is illegal, except for racing vehicles, which may never be driven upon a highway, to remove or otherwise render inoperative any emission control device on regulated motor vehicles. Check catalog listings to ensure proper application. In the other 49 states, unless otherwise noted, HOOKER HEADERS are not legal for pollution controlled motor vehicles, except for racing vehicles, which may never be used upon a highway and are not intended or applicable for highway use.

**HOKKER TECHNICAL SUPPORT**  
**Toll-Free Phone: 1-866-GOHOLLEY**  
**Phone: 1-270-781-9741**  
**Fax: 1-270-781-9772**

**For online help, please refer to the Tech Service section of our website: [www.holley.com](http://www.holley.com)**

**2455HKR**

**Date: 4-21-04**