



CARBURETOR

P/N 0-80452 & 0-80453

**Model 4160 (electric choke)
600 CFM for Ford Passenger Cars & Trucks—V-8**

INSTALLATION, TUNING, AND ADJUSTMENT MANUAL

199R9883

NOTE: These instructions must be read and fully understood before beginning installation. If this manual is not fully understood, installation should not be attempted. Failure to follow these instructions, including the pictures may result in subsequent system failure.

TABLE OF CONTENTS:

INTRODUCTION:	3
REMOVAL:	3
INSTALLATION:	4
INSTALLATION NOTES:	7
CHOKE ADJUSTMENT:	8
Electric Choke	8
Manual <i>and</i> Electric Chokes.....	8
IDLE MIXTURE NEEDLES:.....	8
FLOAT LEVEL CHECK AND ADJUSTMENT:	9
VACUUM OPERATED SECONDARY THROTTLES:	10
VACUUM OPERATED SECONDARY TUNING:.....	11
JETTING (MAIN JETS):	12
POWER VALVES:.....	12

INTRODUCTION:

CONGRATULATIONS on your Holley carburetor purchase! We feel that you have purchased the finest performance carburetor manufactured today. Should you need information or parts assistance, please contact our Technical Service Department at 1-270-781-9741, Monday through Friday, 7 a.m. to 5 p.m. CST. Please have the part number of the product you purchased on hand when you call.

To preserve the warranty, these instructions must be read and followed thoroughly before and during installation.

ATTENTION! This carburetor is NOT designed for use with ANY automatic overdrive transmission. If used on an automatic overdrive vehicle, SEVERE transmission damage will result.

NOTE: Not legal for street use in California on vehicles originally equipped with 2-barrel carburetors, for which there was no 4-barrel option.

These carburetors have been designed and calibrated as a multi-purpose carburetor for Ford passenger cars and trucks only. Holley Performance Products cannot and will not be responsible for the results of any misapplication. Primary design attention has been given to good low-end and mid-range torque characteristics, as well as good fuel economy and ease of installation.

These carburetors are only calibrated or certified for specific, cataloged applications and they must be used on "square" flange intake manifolds.

Carburetor adapters are not recommended to adapt to "spread" bore intake manifolds, since adapters may have an adverse effect on cylinder-to-cylinder distribution, and ultimately, total performance.

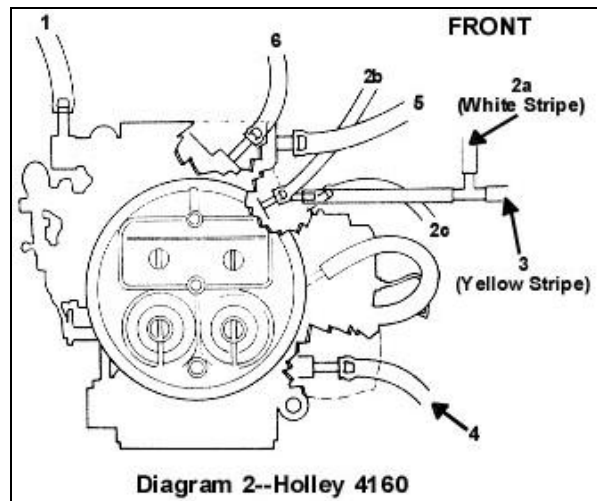
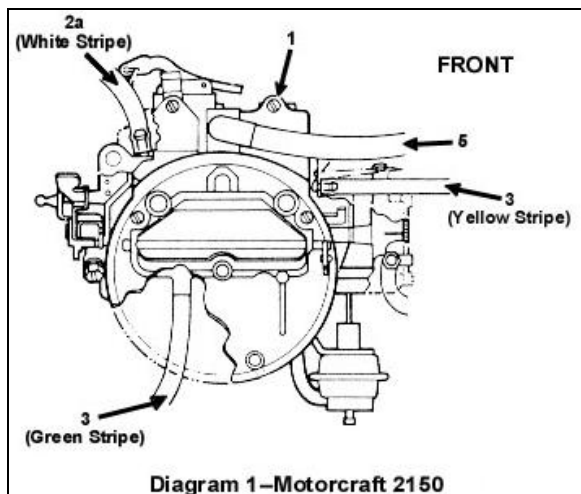
MAINTENANCE WARNING: Fuel system components, including fuel lines and the carburetor, should be inspected periodically to ensure that no fuel is leaking and that all hoses are sound. Today's controlled emissions engines create higher temperatures in the engine compartment, which will contribute to a faster aging of non-metallic materials. Hoses that exhibit surface cracks when bent to a 180° position should be replaced. The presence of liquid fuel demands a re-tightening of loose fittings, hose replacement (when needed), and re-torquing of all fuel system screws, nuts, and bolts regularly. Tighten the Holley carburetor fuel bowl screws to 25-30 in./lbs. of torque in a clockwise direction. Periodically recheck the torque of the fuel bowl screws at regular maintenance intervals.

REMOVAL:

1. Remove the air cleaner, exercising care to carefully detach any vacuum lines from the air cleaner and marking them so they can be reassembled to the air cleaner in the same manner.
2. Remove the existing carburetor by the following procedure:
 - A. Carefully disconnect the fuel line.

WARNING: Carefully protect the open end of the fuel lines, so that no foreign particles can enter. Wrap the end of the fuel line with a clean lint-free cloth.

- B. Disconnect and mark all vacuum lines and wiring (if any) to the carburetor, noting the lines that ultimately go to the distributor, spark delay valve, temperature sensing valve, EGR valve, fuel vapor canister, etc. Use Diagram 1 as a guide.



- C. Disconnect the PCV hose and power brake hose.
 - D. Disconnect the choke rod or heat tubes (if equipped).
 - E. Disconnect and remove the throttle linkage and automatic transmission kickdown linkage. **Save all retaining clips.**
 - F. Unbolt and remove the carburetor from the manifold.
3. If the intake manifold is being changed at this time, install the new manifold according to the manifold manufacturer's directions. Since we are not familiar with all manifold instructions, Holley cannot accept responsibility for their validity.

INSTALLATION:

1. On Ford applications with an idle-stop solenoid, remove the solenoid and locking nut from the original carburetor and install them into the bracket on your new Holley carburetor.
2. Take the short ground lead from the unassembled parts and connect the bayonet end to the proper terminal on the Holley electric choke cap. (See Figure 1).

CAUTION! The polarity of the choke cap terminals must be observed to avoid damaging the heating element.

3. Fasten the other end of the ground wire to a suitable location, such as under the head of one of the screws retaining the secondary diaphragm housing.

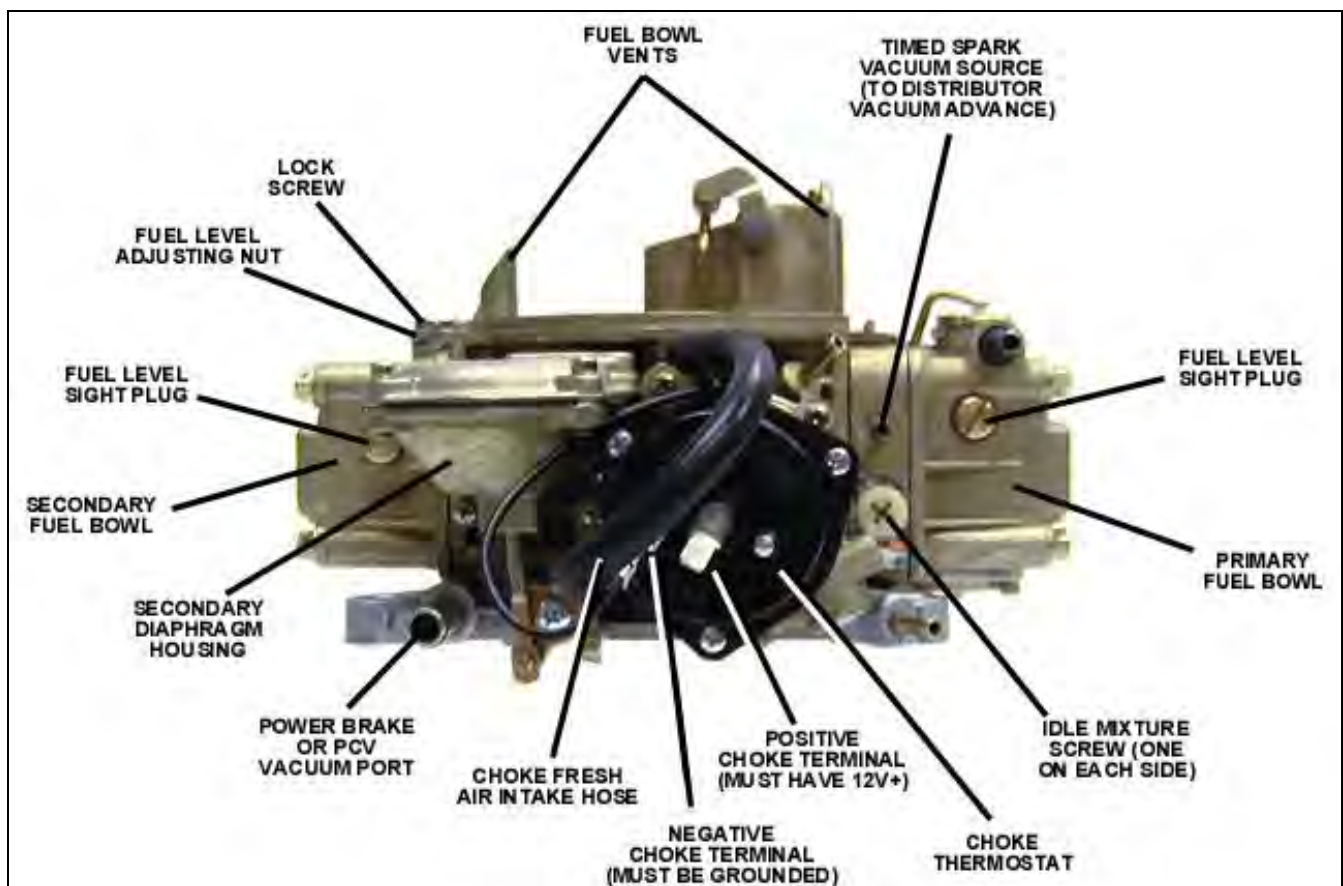


Figure 1 (0-80452 shown)

4. Install the carburetor-mounting studs (provided) in the proper location on the intake manifold carburetor flange.
5. Place the new carburetor flange gasket, provided with the carburetor, in the proper position on the intake manifold.
6. Place the carburetor on top of the flange gasket on the manifold. Install the hold down nuts and snug down progressively in a "crisscross" pattern (60-80 in./lbs.), as shown in Figure 2.

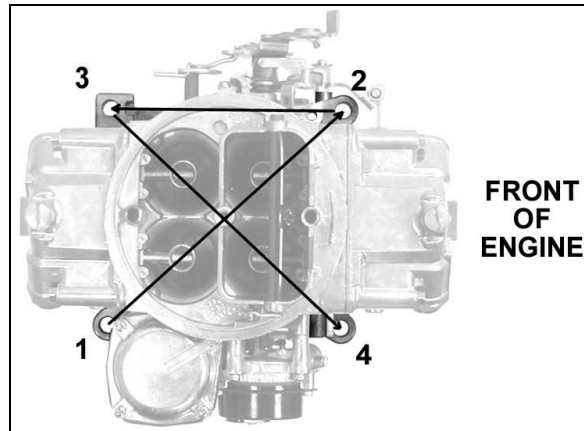


Figure 2—Carburetor torque sequence (all Holley carburetors)

WARNING: Overtightening may result in a warped or cracked carburetor throttle body.

7. Before connecting the linkage, operate the throttle lever to assure the correct travel (no sticking or binding), by opening to wide-open throttle and back to closed throttle several times. Correct any sticking or binding conditions before proceeding.

WARNING: Any sticking, binding, or other interference in the throttle linkage could result in uncontrolled engine speed. This could result in engine damage or personal injury.

8. Reconnect the throttle and transmission kickdown linkage and throttle return spring (Holley P/N 20-89). Operate the carburetor throttle lever by hand to assure the correct travel (no sticking or binding) by opening to wide-open throttle and back to closed throttle several times. Correct any sticking or binding conditions before proceeding.

NOTE: With the engine turned off, have an assistant slowly press the accelerator pedal to the floor, while you watch the throttle for any sticking or binding. Correct any sticking or binding conditions before proceeding. Also ensure that you are reaching full throttle. Many performance problems are traced to partial throttle openings from improperly adjusted linkage. Secondaries will not open mechanically during this procedure.

9. Reconnect the appropriate vacuum hoses to the carburetor, noting the correct fitting from Diagram 2 and Figure 3. Replace any cracked or dry rotted hoses at this time to prevent any vacuum leaks.
 - A. The full manifold vacuum source in the front of the throttle body provides vacuum for proper operation of the air cleaner, the pump diverter valve (if equipped), AC/Cruise, and/or the temperature sensing valve. If vacuum for more than one component is needed, use small plastic vacuum "T"s (available at most automotive stores).
 - B. The timed spark fitting in the choke side of the primary metering block provides vacuum for the operation of the distributor vacuum advance. Connect the hose to the distributor, spark delay valve, and/or temperature sensing valve as originally connected. Again use "T"s as necessary. If any questions arise about the hose connections, consult the proper service manual.
 - C. Plug any vacuum source not used.
10. Connect the PCV hose to the PCV fitting in the carburetor base plate.
11. Connect the power brake and/or PCV hose to the fitting, as shown in Figure 3.

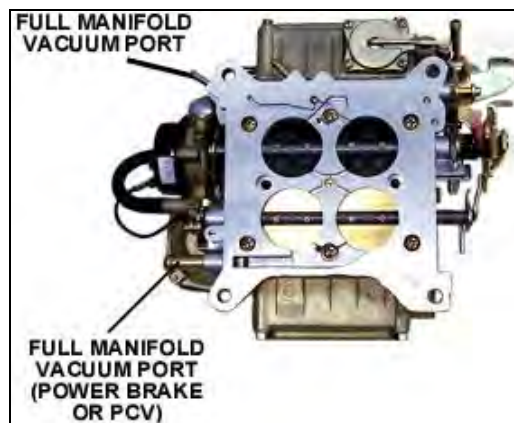


Figure 3

12. In some cases, the existing fuel line will have to be cut and connected to a “dual feed” fuel line with a length of rubber fuel hose and a clamp.

WARNING: During the fuel line installation, DO NOT allow any foreign particles to enter the fuel lines, which could then cause flooding and may result in a fire.

WARNING: Keep the fuel line away from the EGR valve (if equipped) on the intake manifold.

If installation requires cutting the metal fuel line, cut the fuel line with a good tube cutter. This will minimize the chance of producing metal chip particles. If a hacksaw must be used then metal chips must be removed.

WARNING: In all cases where the fuel line has been cut, it is essential that it be clean to insure that no metal particles enter the fuel bowl after the new carburetor installation. Remove the fuel line at the pump and blow the line clean with compressed air. DO NOT use the procedure where the coil wire is disconnected, the engine cranked for a few revolutions, and the fuel collected in a container. This procedure is unsafe because sparking can occur either at the coil or at the distributor end of the coil wire and ignite any fuel spilled in the engine compartment.

CAUTION: The use of a quality in line fuel filter, such as Holley P/N 162-523 is mandatory as a safeguard against possible flooding, which could result from unfiltered particles becoming lodged between the fuel inlet needle and its seat. This can result in fire if a spark is present or backfire occurs in the engine compartment. Air cleaner filter elements should be blown clean with compressed air at 6,000 miles and replaced at 12,000 miles to assure maximum protection. Now would be the perfect time to upgrade to a Holley Powershot air filter (Holley P/N 120-146).

13. Connect the electric choke lead (supplied) to the positive terminal of the choke cap. **The other end must be connected to a good ignition activated 12-volt source.** Hookup of this wire is **not** optional.

WARNING: Connecting the choke cap to the ignition or ignition coil could result in unacceptable choke operation, poor fuel economy, and possible engine misfiring, since the voltage delivered to the spark plugs will be severely reduced by the drain imposed by the choke cap. Suitable ignition activated 12-volt sources are most electrical relays, as well as the leads to accessories, such as windshield wipers. DO NOT connect this wire to the original equipment (O.E.) electric choke source. This may not be a 12V source.

14. Check the voltage source with a volt-ohm meter to assure proper voltage and choke operation. Provision of a good ground and 12 volt+ source that can supply enough current to the choke cap is *essential* for proper choke operation!

15. Start the engine and check the fuel lines and inlet fitting for possible leaks.

NOTE: The recommended fuel pressure is 5-7 psi. Use an adjustable fuel pressure regulator (Holley P/N 12-803) if it is higher than 7 psi.

16. Recheck to assure all existing vacuum hoses are attached properly. Plug any fittings not used.

17. With the engine at operating temperature, set the idle speed to the manufacturer's specifications (see page 8 for idle adjustment).

18. Shut off the engine and readjust the throttle operated transmission linkage, if necessary. On installations that have a kickdown-actuating switch on the passenger's side of the firewall, it might be necessary to readjust it according to the manufacturer's service manual.

FORD APPLICATIONS WITH AUTOMATIC TRANSMISSIONS: With the engine off, push the transmission kickdown rod rearward until it stops and hold it in position. Push the throttle lever rearward to its wide-open throttle position and adjust the transmission kickdown screw to come in contact with the transmission kickdown lever tang.

WARNING: With the engine off, recheck the assembled linkage for sticking and/or proper return to the idle position.

10. Place the air cleaner gasket (supplied) on the sealing flange, and install the air cleaner.

11. With some air cleaner configurations, it may be necessary to use an air cleaner spacer to provide adequate clearance between the carburetor and the air cleaner. Holley offers such a spacer (Holley P/N 17-13). Depending on the overall height, obtain the proper length 1/4 x 20 stud and install in the carburetor airhorn. Close the hood slowly to ensure adequate clearance between the air cleaner stud and the hood.

WARNING: Inadequate clearance between the air cleaner and the throttle lever could result in throttle sticking and uncontrolled engine speed. Check the clearance between the throttle lever and air cleaner for proper operation. Check the clearance between the air cleaner and the hood before closing the hood completely.

MAINTENANCE WARNING: Fuel system components, including fuel lines and the carburetor, should be inspected periodically to assure no fuel leakage and to ensure the soundness of the hoses. Today's clean emissions engines provide higher temperatures in the engine compartment. These high temperatures promote faster aging of non-metallic materials.

Hoses that exhibit surface cracks, when bent to 180°, should be replaced. The presence of liquid fuel demands tightening of fittings, hose replacement, and retorquing of the fuel system component flange nuts. Periodically check the torque on the fuel bowl screws to 25-30 in./lbs. to assure proper fuel metering.

GENERAL: Some very important factors to optimize efficiency and performance include: Correct engine timing, correct spark plug gap and heat range, ignition components in good working order, and correct operation of exhaust heat valve.

INSTALLATION NOTES:

WARNING: This carburetor is not designed for use with any Ford automatic overdrive transmission. **SEVERE** transmission damage may result from improper application use.

NOTE: Unless replacing an existing Holley Carburetor, you may need to purchase Holley P/N 20-91, spring and perch kit, for Ford automatic transmissions.

1. Install the throttle lever ball, lockwasher, and retaining nut to the carburetor throttle lever in the same position as the existing carburetor. Tighten the nut to 36 in./lbs. of torque.
2. Insert the transmission kickdown adjusting screw with the black retaining clip on the transmission kickdown lever (Figure 4).

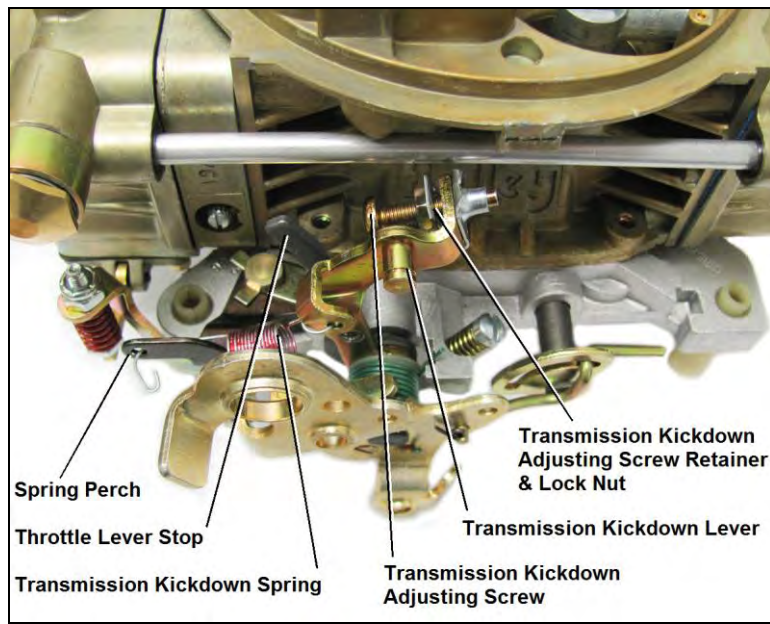


Figure 4

3. Remove the lock out screw from the kickdown lever (Figure 5).
4. Install the transmission kickdown spring between the transmission kickdown lever and spring perch (Figure 4).

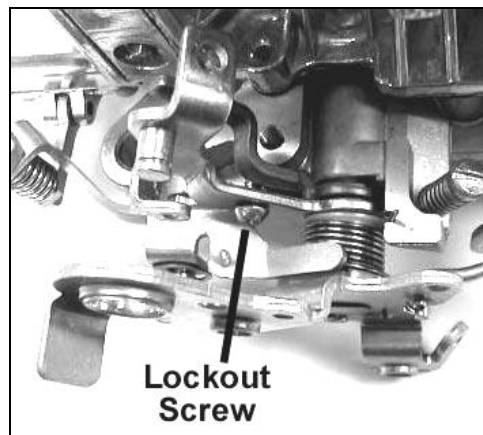


Figure 5

CHOKE ADJUSTMENT:

IMPORTANT: Your Holley carburetor has been factory wet flowed and calibrated. The “out of the box” settings should be very close for all adjustments. The following tuning section is included **ONLY** to aid you in fine tuning adjustments.

Electric Choke

1. You can control the choke operation by rotating the choke cap. If the choke comes off too soon, loosen the three screws and rotate the cap counterclockwise one notch at a time, until the choke operation is satisfactory. If the choke comes off too late, rotate the cap clockwise one notch at a time, until the choke operation is satisfactory. The choke setting from the factory is on “index” or at center position. After making the final adjustments, start the engine and make sure the choke plate opens completely.
 - A. A choke that comes off too soon could exhibit one or more of the following symptoms: stalling, surging, backfiring, stumbles, or poor vehicle driveability when the vehicle is cold.
 - B. A choke that comes off too late could exhibit one or more of the following symptoms: black smoke from the tail pipe, poor driveability when cold, poor gas mileage, misses, or rough idle.

Manual and Electric Chokes

2. If the fast idle RPM is too low or too high for your preferences, SHUT DOWN THE ENGINE! Advance the throttle to wide-open, exposing the fast idle set screw below the choke housing (See Figure 6).
3. Using a 1/4” open end wrench, turn the screw clockwise to increase the RPM or counterclockwise to decrease the RPM. The factory setting should give you a 1500-1600 RPM fast idle speed.

NOTE: All vacuum ports must be plugged at this time.



Figure 6

IDLE MIXTURE NEEDLES:

Idle mixture needles control the air/fuel mixture at idle. These have been preset at the factory and SHOULD NOT need any adjustments. However, if you feel that adjustment is necessary, you can use the following procedure to do so. When tuning the idle mixture, you’re actually tuning for the best manifold vacuum. Idle mixture needles are found on the primary metering blocks. If you change one idle mixture needle, you must change the other idle mixture needle by the same amount. Here are the proper steps for setting the idle mixture needles.

NOTE: This carburetor is equipped with a “reverse” idle system. Screwing the idle adjustment needles **IN** will richen the mixture. Backing the screws **OUT** will lean the mixture. There is a sticker around each needle showing the correct direction to turn the screw.

This system has two peculiar characteristics:

1. It is frequently impossible to “kill” an engine by leaning the mixture. Likewise, it is often difficult to make an engine “lope” by richening the mixture.
2. It is possible to adjust the mixture within the range of the limiter caps. The mixture needles affect the delivered fuel mixture up to approximately 45 mph. Fuel economy for low speed driving can be improved in most, but not all cases, by a leaner adjustment of the needles. Trial and error is the best approach.

CAUTION! Adjusting the mixture screws beyond the rich stop of the limiter cap will cause the engine to emit illegal amounts of air pollutants. Adjusting them beyond the lean stops may result in engine damage, due to a lean misfire.

NOTE: If the limiter caps are removed for any reason, the idle mixture is best set with an exhaust analyzer, available in most dealer garages and many independent garages. The analyzer should read .2-.6% CO using the following procedure.

1. Attach the vacuum gauge to a manifold vacuum port on the throttle body (Figure 3).
2. Adjust each idle mixture screw (Figures 7 & 8) 1/8 turn at a time, alternating between each screw. Turn them equally, until you achieve the highest possible vacuum reading without adjusting the curb idle speed screw.
3. Now that the idle mixture is set, it may be necessary to go back and reset the idle speed using the curb idle speed screw, as shown in Figure 9.



Figure 7

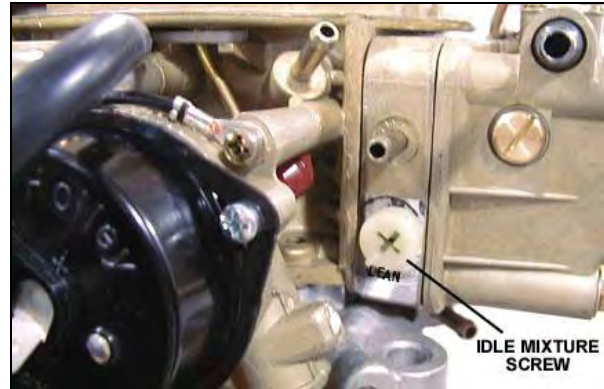


Figure 8

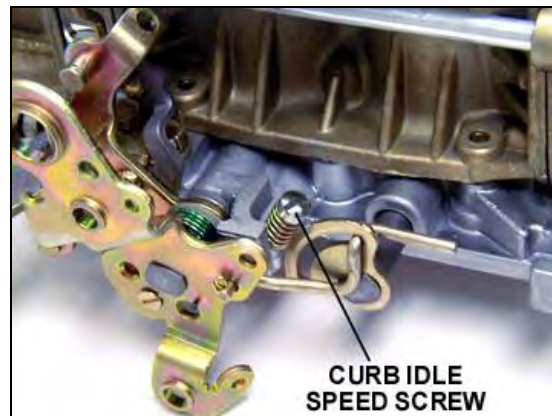


Figure 9

4. If a vacuum gauge is not available, use a tachometer to obtain the highest RPM.

ROUGH IDLE AND VACUUM LEAKS: If a rough idle persists after the engine has been started and the mixture screws adjusted, check for manifold vacuum leaks. These could result from unplugged vacuum fittings or a carburetor flange gasket that was torn during installation. Recheck for proper attachment of all vacuum lines and check the lines for cracks. If the manifold was changed, a manifold vacuum leak could occur at the cylinder head/manifold surface due to damaged gaskets or improper torquing. Frequently, manifold vacuum leaks occur from the valley side of the manifold. These are very difficult to detect, unless a discernible whistle can be heard.

NOTE: In most cases, when rough idle occurs after a carburetor/manifold change, they result from manifold vacuum leaks similar to those described above. Assuring a proper manifold installation rather than assuming the carburetor is not functioning properly will ultimately save time.

FLOAT LEVEL CHECK AND ADJUSTMENT:

Float adjustments are set at the factory, but variations in fuel pressure could cause a change in these settings. The following procedure shows how to make these adjustments:

WARNING! Extreme caution must be exercised while adjusting the float levels, as fuel spillage may occur.

1. Start the vehicle. Turn on the electric fuel pump (if so equipped)
2. Carefully remove the float level sight plug.
3. Observe the sight plug hole for the fuel level. If none is seen, the level is too low. Fuel should be even with the bottom of the sight plug hole. If fuel comes pouring out of the sight hole, the float is set too high.

NOTE: A properly set float level will have the fuel level located at the bottom edge of the sight hole, as shown by the line in Figure 10.

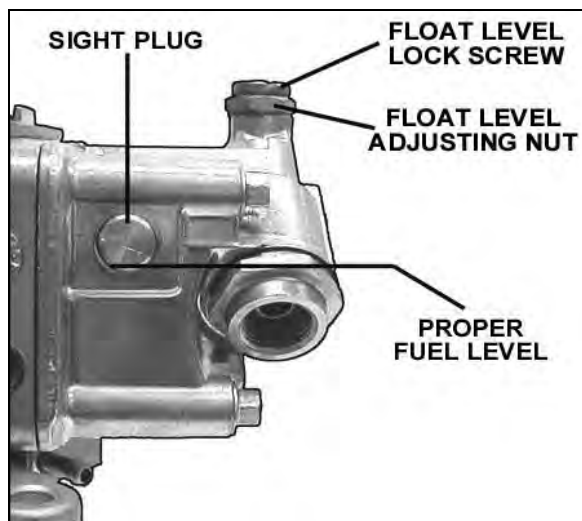


Figure 10

4. To adjust, shut down the engine.
5. Loosen the lock screw on top of the fuel bowl just enough to allow you to turn the adjusting nut. Hold the screw in position with the screwdriver.
6. Using a 5/8" wrench, turn the adjusting nut in the appropriate direction: Clockwise to lower float level and counterclockwise to raise float level.
7. Turn the adjusting nut in increments of 1/4 of a rotation.
8. Retighten the lock screw.
9. Restart the vehicle and observe the sight plug hole.
10. Repeat steps 1 through 8 as necessary.
11. Reinstall sight plug when complete.

VACUUM OPERATED SECONDARY THROTTLES:

Many people have the misconception that opening the secondary throttles sooner will provide increased performance and quicker drag strip times. Others think they must "feel" a kick when the secondaries engage. Still others believe that they should disconnect the vacuum diaphragm and make the secondaries open mechanically.

Before going any further, let's discuss these points in a reverse order. First, if we could make our vacuum operated secondary carburetors perform better by opening the secondaries mechanically, it would be to our advantage to do so, since all that vacuum actuating hardware is expensive and requires much time and money to calibrate. Mechanical secondary carburetors all utilize a secondary pump shot to prevent bogging when the secondaries are opened. Secondly, those who "feel" a kick when the secondaries engage are actually feeling a flat spot during initial acceleration, because the secondaries have already begun to open and have weakened the fuel delivery signal to the primary boosters. The engine is struggling to increase speed and what they actually feel are the secondary nozzles "crashing in" as the engine finally reaches the speed where it provides the proper fuel delivery signal to primary and secondary venturi. Third, opening the secondaries early causes the situation described above. The secondaries must not open until the engine requires the additional air. This allows torque to increase along the peak torque curve. Performance is compromised less by holding the secondaries closed a little longer than by opening them a little too soon. If the opening rate of the vacuum operated secondaries is properly calibrated, there should not be a "kick"; only a smooth increase in power should be felt.

In general, heavier cars require stiffer secondary diaphragm springs than light cars. Air cleaner configuration and restriction plays an important part in spring selection also, so be sure to use your air cleaner when evaluating your vehicles performance after each change. **DO NOT** expect to “wing” the throttle and see the secondaries begin to open. If they do they will probably open too soon. Secondaries should open only when the engine is under a load. **DO NOT** clip or trim a spring in an effort to make a spring lighter so that the secondaries will open sooner. Strange as it may seem, clipping springs actually increases spring rate and will delay opening. So, in order to tune the secondaries, follow the steps below. A secondary spring kit is available from your local Holley retailer (Holley P/N 20-13).

VACUUM OPERATED SECONDARY TUNING:

NOTE: The Holley Quick Change Diaphragm Housing Cover makes swapping secondary springs a matter of loosening two screws. It is available under P/N 20/59.

1. Remove the choke cap (electric choke), choke fresh air hose (electric choke), and choke housing (manual and electric choke) to gain access to the third screw retaining the vacuum diaphragm to the main body (Figure 11).
2. Remove three screws attaching secondary vacuum diaphragm to the main body (Figure 12).

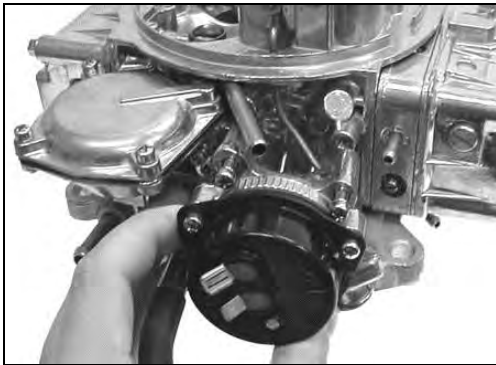


Figure 11

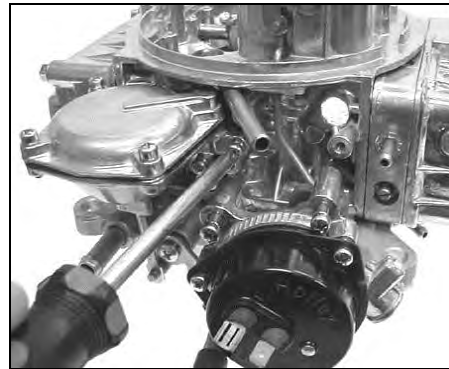


Figure 12

3. Remove the clip retaining the diaphragm plunger to the secondary throttle lever using a small flat-blade screwdriver (Figure 13).
4. Remove the four screws securing diaphragm cover.
5. Gently remove the cover. Take care as not to tear the diaphragm or loose the check ball (Figure 14).

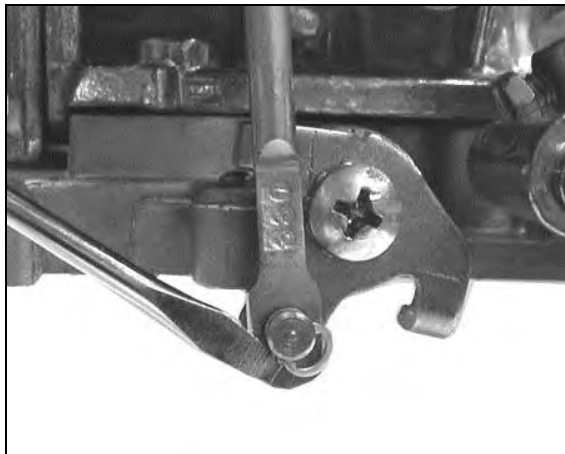


Figure 13

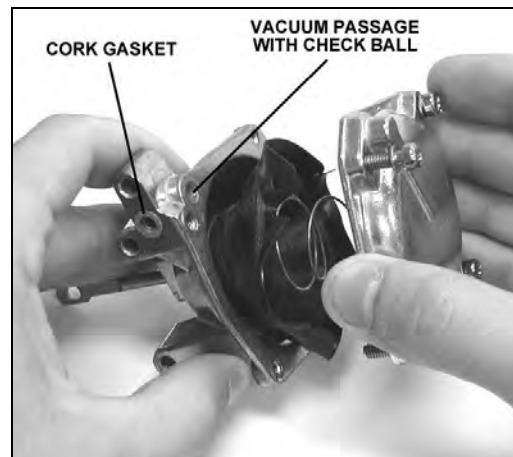


Figure 14

6. Change the spring. Make sure that the new spring seats on the stud cast into the underside of the cover. The stiffer the spring, the later the secondaries will open.
7. When reassembling secondary diaphragm parts, exercise care to properly align the vacuum passage in the casting with the “cut out” in the rubber diaphragm, and make sure the check ball is in place. **DO NOT** pinch or tear the rubber diaphragm.

TIP: To make reassembling the diaphragm easier, push the diaphragm arm into the housing and form the diaphragm into a “mushroom” shape (Figure 15). Then position the diaphragm over the bolt holes and vacuum port. Hold the diaphragm in that position with your fingers while inserting the spring, cover, and bolts to avoid disturbing the position of the diaphragm.

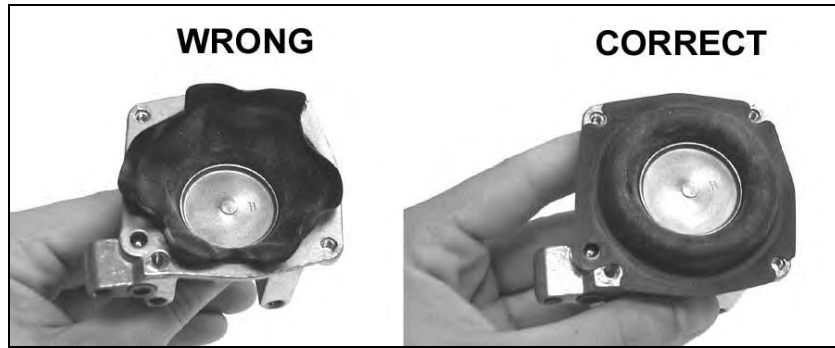


Figure 15

8. Make sure the cork gasket in the secondary diaphragm housing mates with the main body casting and reassemble the housing and choke to the main body.
9. Reinstall the air cleaner, and test drive the vehicle.

JETTING (MAIN JETS):

Due to varied applications that a universal performance carburetor will work with, a few tips on jetting are provided to help you understand their purpose.

1. Out of the box jetting is extremely close for most applications.
2. Carburetors are calibrated at 70° at sea level. Decrease the jet size primary and secondary, one number for every 2000 ft. increase in altitude.
3. Holley jets are broached, flowed, and stamped according to flow rate. **NEVER** drill jets, as this seriously alters flow characteristics. Stamped numbers are reference numbers and **DO NOT** indicate drill size.
4. In most cases it will be **unnecessary** to increase jet size more than four numbers greater than out of the box jetting. Exceptions could arise when the carburetor is mounted on a very large volume, plenum-ram manifold.
5. Spark plugs provide the best indication of proper jetting. Consult an ignition manual for proper reading of spark plugs.

POWER VALVES:

The number stamped on a power valve, such as 65, indicates the manifold vacuum below which the power valve is operational. In this case, all manifold vacuums below 6.5” Hg, the power valve is operating. Generally a 65 power valve is sufficient for most high performance applications that have a manifold vacuum of 12” Hg or higher. However, some problems can result with radically cammed machines equipped with automatic transmissions. These vehicles often “idle” at 2000 rpm, approx. 6.0” Hg. At this point the main nozzles are starting to feed and richen the mixture (supplied by the power valve) and the engine will probably “load up”. To correct this problem, install a 45 or 35 power valve. If the engine has a manifold vacuum of 12” Hg or less, a good way to determine power valve size is take the manifold vacuum at idle and divide that number by two. The answer is the power valve size. This will provide idling and proper fuel flow under wide open throttle conditions when manifold vacuums seldom rise above 1” Hg.

Holley Performance Products, Inc.
1801 Russellville Road
Bowling Green, KY 42101-3542
Toll Free Technical Service: 1-866-GOHOLLEY
Technical Service: 1-270-781-9741
Fax: 1-270-781-9772

© 2002 Holley Performance Products, Inc. All rights reserved.

199R9883

Revision Date: 4-30-12