

**FORD F250 / F350 SUPER DUTY  
WITH FENDER FLARES**

**FRONT MUD GUARD INSTALLATION INSTRUCTIONS**

*Install Paint Protection Film before mud guards (see other side)  
Please read instructions thoroughly before installation.*

**Tools Required**

- 1/8" Drill Bit / Drill (optional)
- Short #2 Phillips Screwdriver
- 7/32 Socket / Driver

**Package Contents**

- Driver & Passenger Side Front Mud Guard
- #10 SEM Screw (qty. 2)
- Paint Protection Film (1 set)
- Spring Clip (Qty 2)
- Instruction Sheet

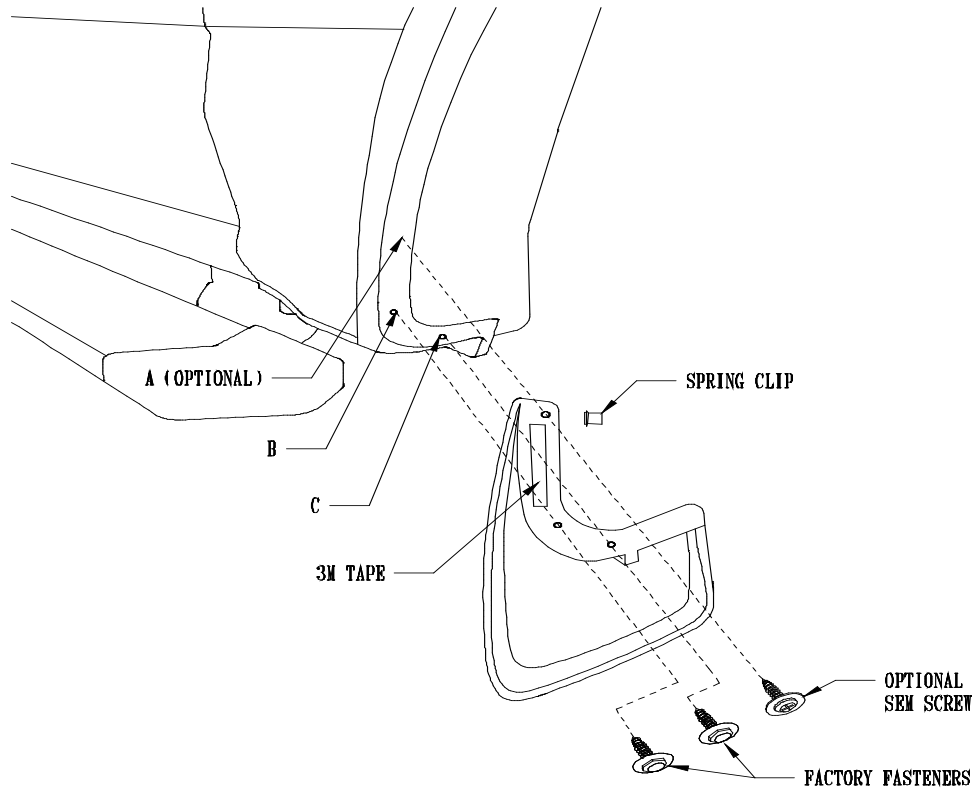
**NOTE:** Turn the front wheels all the way to the left or right for mud guard installation. However, it may be necessary to remove the wheels depending on the tools being used for installation.

**Determine which mudguard you have by locating the part number molded in the mounting flange (5847 LH 5847 RH).**

1. Clean and degrease the mud guard location area on the fender before installation.
2. Remove existing fasteners from location B and C.
3. Peel red protective cover from the 3M adhesive on the mudguard.
4. Attach mud guard to front fender with factory fasteners at location B and C, check fit and make sure mud guard is parallel to ground before tightening. Be sure to press firmly on the area with the 3M adhesive tape to make sure adhesive is set.
5. Install the spring clip over the mudguard and the fender lip between the raised tick marks at location A.

**OPTIONAL FASTENER INSTALLATION**

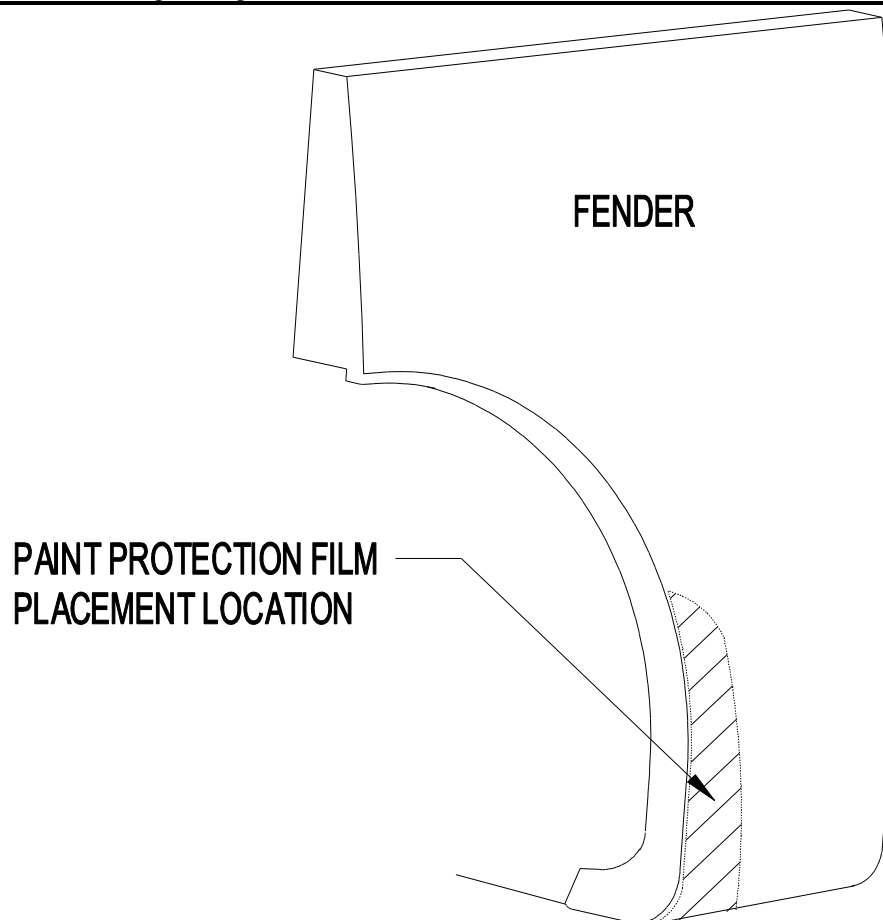
6. Using the mud guard as a template mark and drill 1/8" holes at location A
7. Install #10 SEM screw through the mudguard and into the flare / sheet metal



**PAINT PROTECTION FILM - INSTALLATION INSTRUCTIONS**

**NOTE:** *The Paint Protection Film is a precut template of film used to protect the mud guard mounting surfaces of your fenders against wear. The templates (left and right side) can be removed from the backing liner by folding the liner at the center cut of the template, separating the film sides and peeling the film templates from the backing liner.*

1. Position mud guard on fender to indicate placement location of paint protection film.
2. Clean the placement area of fender with a clean cotton cloth and a petroleum distillate based cleaner such as DuPonts Prep-Sol Brand Solvent Cleaner or 3M Brand Adhesive Cleaner and dry.
3. Mix a wetting solution of 1 pint of water with 4 drops of liquid dishwashing detergent.
4. Mark correct position of film by placing mud guard against fender. **Make sure film extends beyond edge of mud guard contour a minimum of an 1/8".**
5. Remove protection film from liner and flood adhesive side of film with wetting solution (use a spray bottle or sponge).
6. Thoroughly wet film placement location of fender with wetting solution.
7. Position the adhesive side of film on fender and flood with wetting solution.
8. Check location of film with mud guard and reposition as necessary.
9. Using a sponge, squeegee any air bubbles and wrinkles from film.
10. Allow film to dry before installing mud guard.



View the Husky Liners® Lifetime Warranty at [www.huskyliners.com/lifetime-warranty](http://www.huskyliners.com/lifetime-warranty).  
Patent and Trademark can be found at [www.hl-ip.com](http://www.hl-ip.com)