

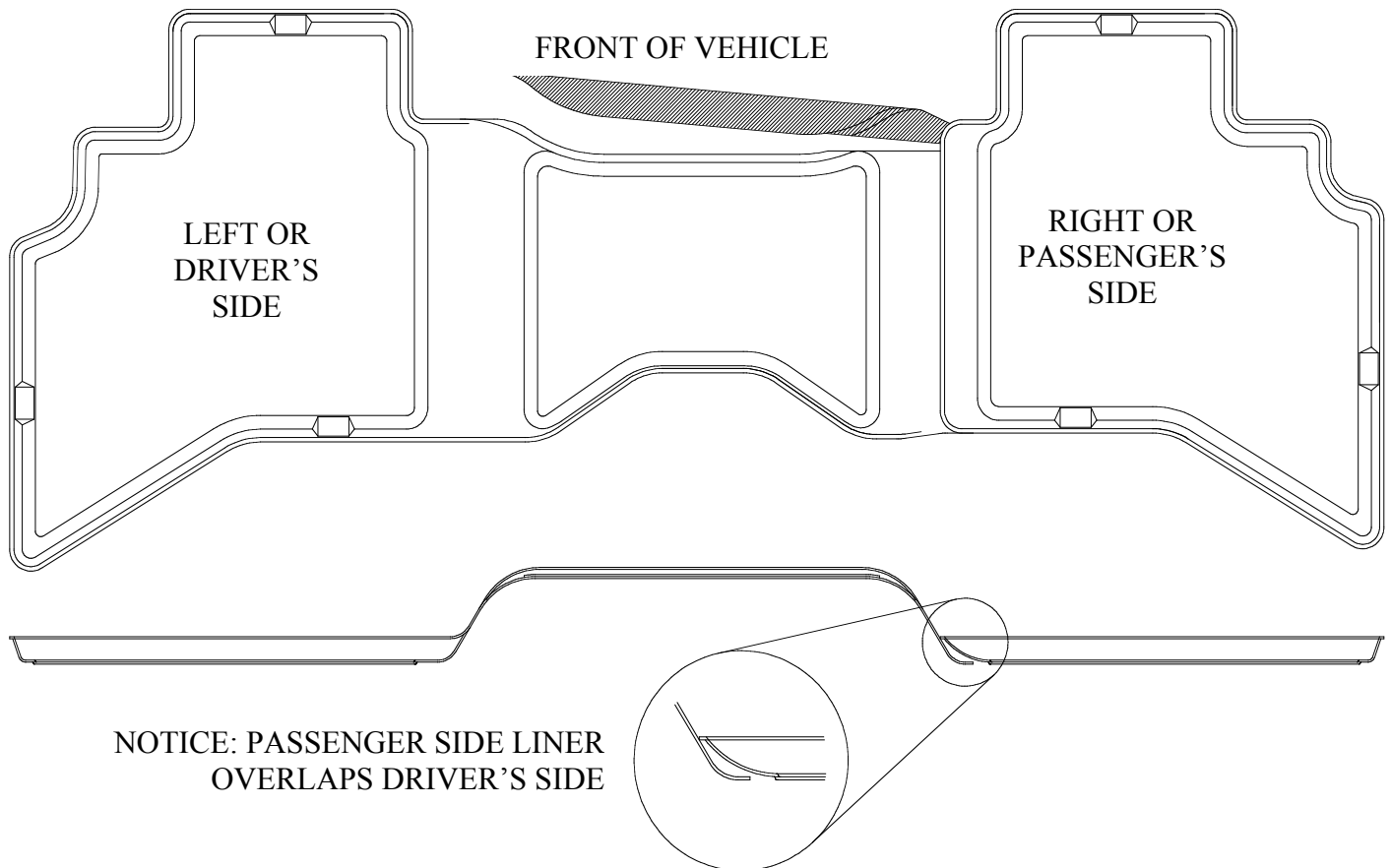
THANK YOU FOR SELECTING A HUSKY FLOOR LINER FROM WINFIELD CONSUMER PRODUCTS

CARE AND USE INSTRUCTIONS

Your new floor liners are custom molded to fit your particular vehicle. The liners are made to take the place of your factory floor mats. For correct fit, it is necessary to remove the factory floor mats before installing your new floor liners. *However, do not remove the factory-installed carpeting.*

Your liners are made from an engineering resin that is lightweight and extremely tough and durable. The easiest way to clean your liners is with a damp cloth or sponge. If using a cleaner, 409® or Glass Plus® work well. Use of Armor All®, Son-of-a-Gun® or similar items is discouraged as these products make the liners slick.

INSTALLATION INSTRUCTIONS FOR YOUR DODGE RAM SECOND SEAT FLOOR LINERS



NOTE: IF YOUR DODGE RAM QUAD CAB TRUCK HAS FRONT BUCKET SEATS WITH THE CONSOLE OPTION, YOU WILL NEED TO TRIM YOUR LINER AS SHOWN ABOVE (SEE HATCHED AREA). TRIM ALONG THE BACK EDGE OF THE RAISED RIB (LEAVING THE RAISED RIB ATTACHED TO THE PART) AND THEN FOLLOWING THE MOLDED GROOVE DOWN THE HUMP. A UTILITY KNIFE OR HEAVY SHEARS WORK WELL FOR TRIMMING.