



2021+ Ford Bronco (2.7L & 2.3L Engines)
**“Adventure Series” Axleback Exhaust
Installation Instructions**



**Thank you for your purchase, we appreciate your business.
If additional assistance is needed, please contact Kooks Headers and Exhaust
Toll free at 1-866-586-KOOK or contact your local dealer.**

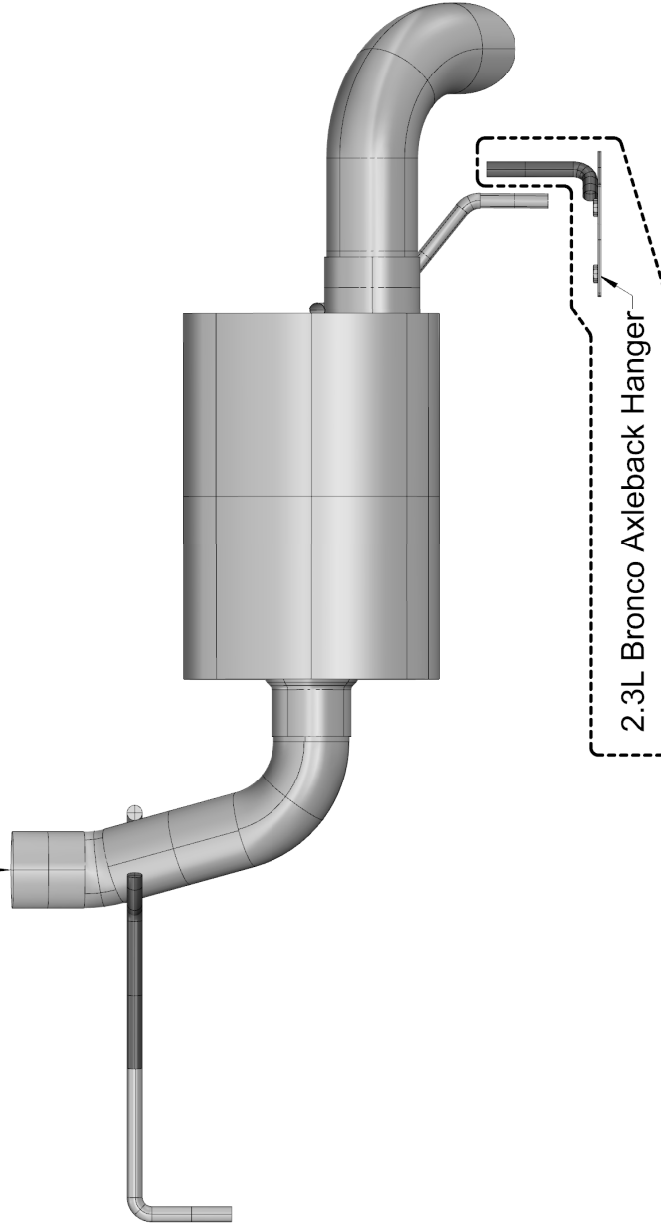
- System Layout -

Components to ship with-

1) JI-TAS250

OEM

2.5" band clamp



2.3L Bronco Axleback Hanger

15016100

2021 Bronco Axleback
Single turnaround
2.3L + 2.7L Engines



Do not attempt this installation if proper safety equipment is not available to you - seek the assistance of a professional installer

Read and understand all instructions before beginning

Vehicle Preparation

****Raise and Support Vehicle (Refer to Owner's Manual for specified jacking points) ****

Always disconnect the battery before performing this type of work on any vehicle

2 Post Lift Recommended

KOOKS "Adventure Series" **Axleback Exhaust Installation** ***Part # 15016100***

Step 1 - Use penetrating fluid on rubber isolators holding up muffler.

Step 2 - Remove OEM Clamp on OEM Overaxle pipe and Muffler joint. Clamp will be tacked on tube and will need to be cut off.

Step 3 - Support the Muffler while removing hangers from rubber isolators - Remove OEM Muffler.

Step 4 - Determine engine size - For 2.7L engines continue to step 5.

For 2.3L engines install 2.3L Bronco Axleback Hanger using OEM bolts (See Pages 4 & 5)

Step 5 - Apply anti-seize to the threads of the band clamp (JI-TAS250)

Step 6 - Place Band Clamp (JI-TAS250) onto Overaxle pipe - leave loose as this time

Step 7 - Place Muffler hangers into rubber isolators while sliding inlet onto the Overaxle tube.

Step 8 - Tighten Band Clamp (JI-TAS250) onto inlet of Muffler at Overaxle.

Step 9 - Test system for leaks. Allow vehicle to complete one heat cycle (heat to operating temperatures and allow for cooling). Re-torque clamps.

Thank you for your purchase, we appreciate your business.

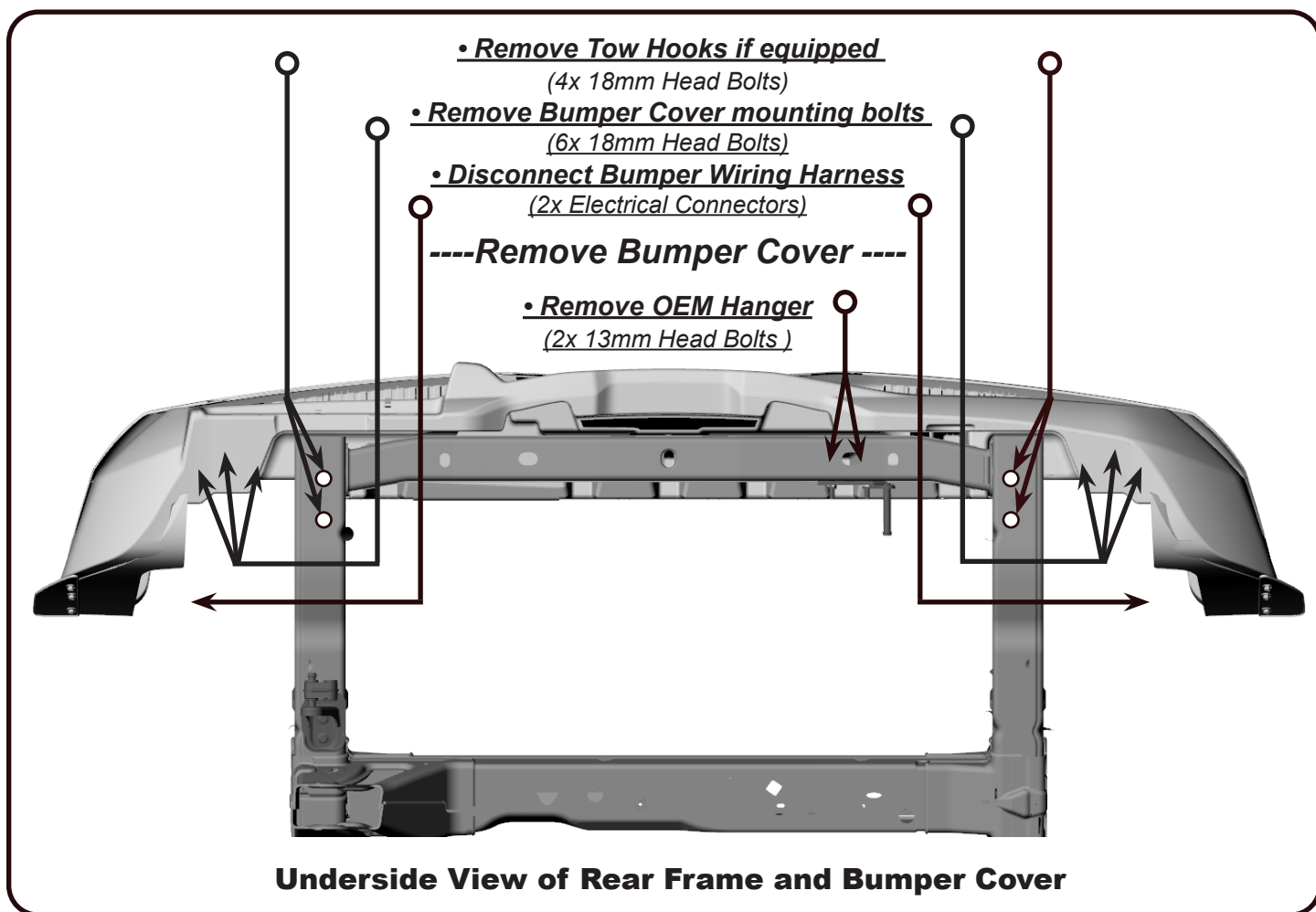
If additional assistance is needed, please contact Kooks Headers and Exhaust

Toll free at 1-866-586-KOOK or contact your local dealer.



To install 2.3L Engine Hanger complete the following steps-

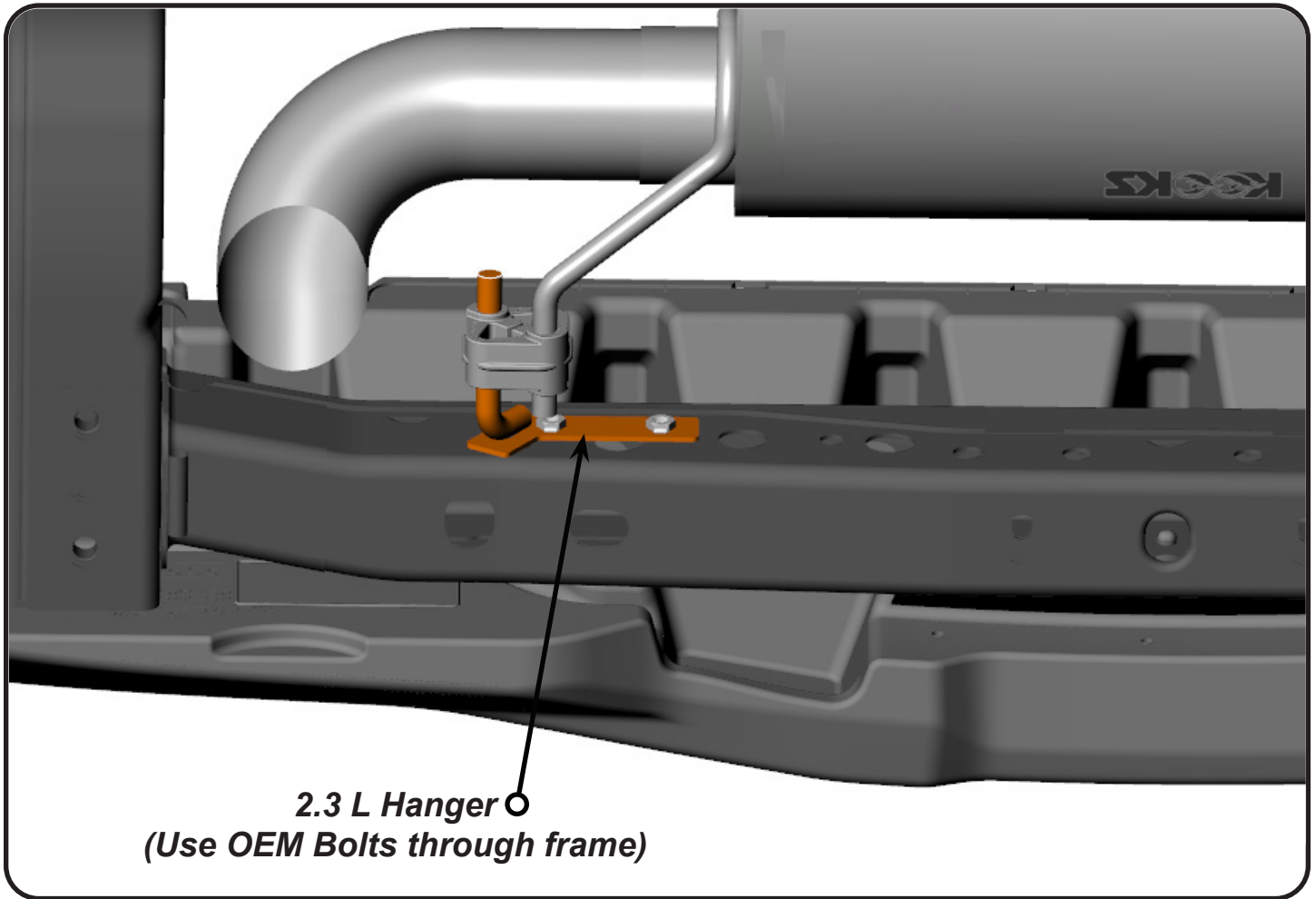
- **Remove Spare Tire**
- **Remove Rear Bumper Cover (follow steps below)**



Thank you for your purchase, we appreciate your business.
If additional assistance is needed, please contact Kooks Headers and Exhaust
Toll free at 1-866-586-KOOK or contact your local dealer.



Install KOOKS Bronco Axleback 2.3L Hanger



Return to Page 3 - Step #5

Thank you for your purchase, we appreciate your business.
If additional assistance is needed, please contact Kooks Headers and Exhaust
Toll free at 1-866-586-KOOK or contact your local dealer.