



INTAKE SYSTEMS FOR VEHICLES LISTED ARE 50 STATE LEGAL. SEE KNFILTERS.COM FOR CARB STATUS ON EACH PART FOR A SPECIFIC VEHICLE.

INSTALLATION INSTRUCTIONS

57-3101

CHEVROLET / GMC

2017-19 Silverado 2500 / 3500HD

2017-19 Sierra 2500 / 3500HD

V8-6.6L Turbo Diesel

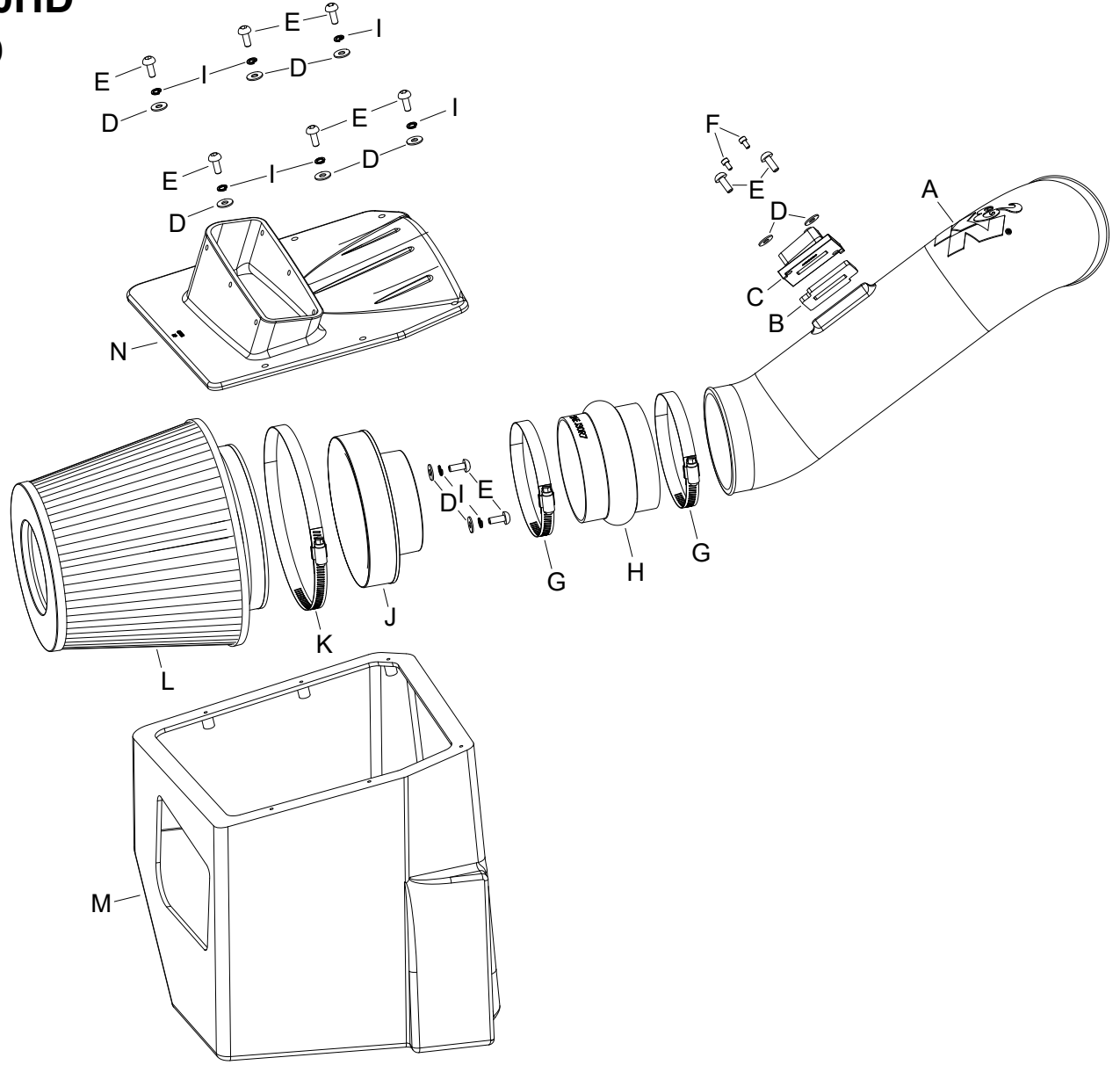
NOTE: This kit was not designed to fit vehicles with a body lift.

TOOLS NEEDED:

- ratchet
- extension
- 10mm socket
- 3mm allen
- 4mm allen
- 5mm allen
- t20 torx
- flat blade screwdriver

PARTS LIST:

Description	Qty.	Part #
A INTAKE TUBE (MG)	1	087359A
B GASKET; 57-2556, 3/16 PORON	1	09069
C ADAPTER; MAF SENSOR	1	088029
D WASHER; 6MM FLAT, SS	10	08269
E BOLT; M6 X 1.00 X 16MM, SS	10	07730
F BOLT; M4 - 0.07 8MM, A/H CAP	2	07733
G HOSE CLAMP #64 STAINLESS	2	08645
H HOSE; 4" ID X 3" L HUMP	1	08418
I WASHER, M6 SPLIT LOCK ZINC	8	1-3025
J ADAPTOR; 57-3058 #454	1	27300
K HOSE CLAMP; #104	1	08697
L FILTER CHARGER	1	RU-5179
M AIRBOX (ME)	1	087357A
N LID (MF)	1	087358A



If you need any assistance please call 1-800-858-3333 to speak with a representative in our Customer Service Center before returning the product.

NOTE: FAILURE TO FOLLOW INSTALLATION INSTRUCTIONS AND NOT USING THE PROVIDED HARDWARE MAY DAMAGE THE INTAKE TUBE, THROTTLE BODY AND ENGINE.

TO START:

1. Turn off the ignition and disconnect the negative battery cable.

NOTE: Disconnecting the negative battery cable erases pre-programmed electronic memories. Write down all memory settings before disconnecting the negative battery cable. Some radios will require an anti-theft code to be entered after the battery is reconnected. The anti-theft code is typically supplied with your owner's manual. In the event your vehicles anti-theft code cannot be recovered, contact an authorized dealership to obtain your vehicles anti-theft code.



2. Slide the red locking tab back and then release the mass air sensor electrical connection.



3. Loosen the two hose clamps securing the factory intake tube to the turbo inlet and air filter housing, then remove the factory intake tube from the vehicle.

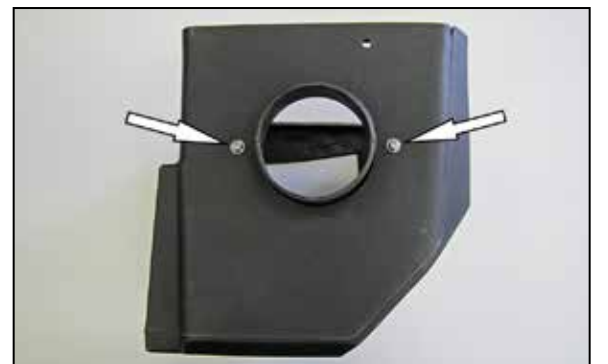


4. Lift up the air filter housing to release it from the mounting grommets and then remove the air filter housing from the vehicle.



5. Remove the four bolts that secure air filter mounting tray and then remove the tray from the vehicle. Three of the factory bolts will be reused in a later step.

NOTE: K&N Engineering, Inc., recommends that customers do not discard factory air intake.



6. Install the filter adapter into the K&N® air filter housing and secure with the provided hardware.



7. Install the K&N® air filter housing into the vehicle and secure it to the factory housing mounting plate fastener location with the hardware removed in step 5.



8. Install the provided hump coupler (08418) onto the filter adapter and secure with the provided hose clamp.



9. Install the provided gasket onto the K&N® mass air sensor adapter.



10. Remove the mass air sensor from the factory air filter housing and then install it into the K&N® adapter and secure with the provided hardware.



11. Install the sensor assembly into the K&N® intake tube and secure with the provided hardware. **NOTE: Be sure to install the sensor in the correct direction, the opening in the sensor should be pointed towards the filter end of the tube.**



12. Install the K&N® intake tube assembly into the coupler at the filter adapter and then into the factory turbo inlet coupler. Adjust the tube for best fit and then secure with the hose clamps.



13. Reconnect the mass air sensor electrical connection and secure the red locking tab.



14. Install the K&N® air filter into the air filter housing and then onto the filter adapter. Secure the filter with the provided hose clamp.

NOTE: Be careful installing the filter into the housing to avoid catching the side edges of the housing and damaging the filter.

NOTE: Drycharger® air filter wrap; part # RC-5139DK is available to purchase separately. To learn more about Drycharger® filter wraps or look up color availability please visit <http://www.knfilters.com>®.



15. Remove the fresh air bellows from the factory air filter housing lid.



16. Install the bellows onto the K&N® air filter housing lid and secure with the factory retaining clips.



17. Install the K&N® air filter housing lid onto the filter housing and secure with the provided hardware.



18. Reconnect the vehicle's negative battery cable. Double check to make sure everything is tight and properly positioned before starting the vehicle.

19. The C.A.R.B. exemption sticker, (attached), must be visible under the hood so that an emissions inspector can see it when the vehicle is required to be tested for emissions. California requires testing every two years, other states may vary.

20. It will be necessary for all K&N® high flow intake systems to be checked periodically for realignment, clearance and tightening of all connections. Failure to follow the above instructions or proper maintenance may void warranty.

21. **NOTE:** Most General Motors vehicles have the Vehicle Emissions Certification Information (VECI) label affixed to the air filter box. In order to be compliant with California emissions laws, the label **MUST** remain in the engine compartment. If the Vehicle Emission Control Information label is removed during modification, a new replacement label must be obtained and installed in a readily visible position in the engine compartment. The label shall not be affixed to any equipment which is easily detached from the vehicle. We recommend that the label is affixed to the underside of the hood adjacent to the hood latch. The label is Vehicle Identification Number dependent and can be ordered from the vehicle dealership. In order to receive the proper decal please bring your VIN with you. Failure to have the VECI under the hood may result in failure of a pre-registration smog test.

ROAD TESTING:

1. Start the engine with the transmission in neutral or park, and the parking brake engaged. Listen for air leaks or odd noises. For air leaks secure hoses and connections. For odd noises, find cause and repair before proceeding. This kit will function identically to the factory system except for being louder and much more responsive.

2. Test drive the vehicle. Listen for odd noises or rattles and fix as necessary.

3. If road test is fine, you can now enjoy the added power and performance from your kit.

4. K&N Engineering, Inc., requires cleaning the intake system's air filter element every 100,000 miles. When used in dusty or off-road environments, our filters will require cleaning more often. We recommend that you visually inspect your filter once every 25,000 miles to determine if the screen is still visible. When the screen is no longer visible some place on the filter element, it is time to clean it. To clean and re-oil, purchase our filter Recharger® service kit, part number 99-5050 or 99-5000 and follow the easy instructions.

INTAKE SYSTEMS FOR VEHICLES LISTED ARE 50 STATE LEGAL. SEE KNFILTERS.COM FOR CARB STATUS ON EACH PART FOR A SPECIFIC VEHICLE.