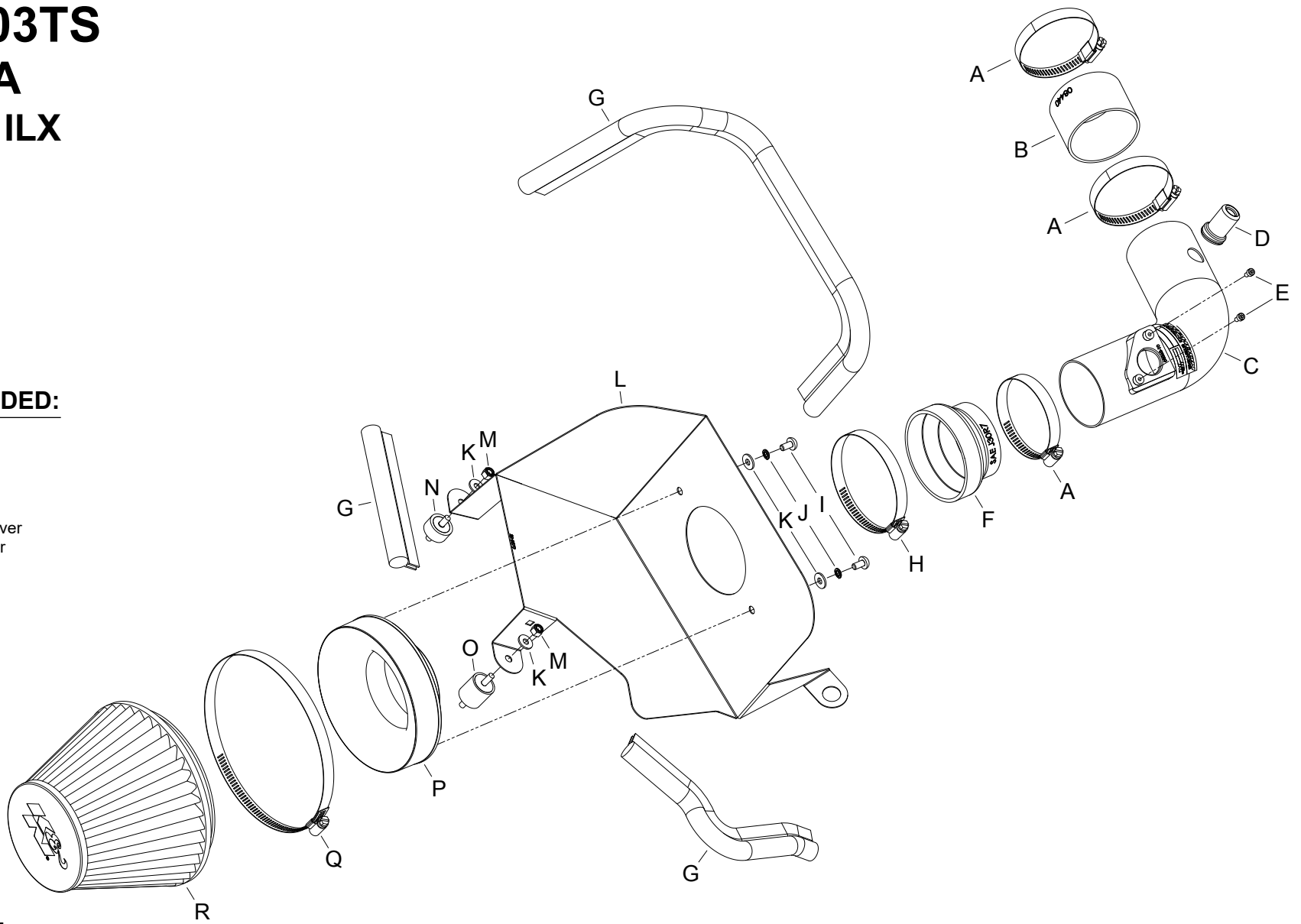


INSTALLATION INSTRUCTIONS

69-1503TS
ACURA
2016-19 ILX
L4-2.4L

TOOLS NEEDED:

ratchet
extension
10mm socket
3mm allen
4mm allen
flat blade screw driver
phillips screw driver



PARTS LIST:

Description	Qty.	Part #	Description	Qty.	Part #	Description	Qty.	Part #
A HOSE CLAMP #44 STAINLESS	3	08560	G EDGE TRIM; 44"L	1	102486A	M NUT; 6MM NYLOCK	2	07512
B HOSE; 2.75" ID X 2" L REIN.	1	08440	H HOSE CLAMP #56	1	08620	N STUD; M6-1.00 M/M RUBBER	1	07027
C INTAKE TUBE; (AL)	1	27668S	I BOLT; M6-1 X 12MM	2	07794	O MOUNT, RUBBER 1" X 6MM	1	1228599
D ADAPTER, PCV	1	8-168	J WASHER, M6 SPLIT LOCK ZINC	2	1-3025	P ADAPTER; UNIVERSAL, 6"	1	21512-1
E BOLT; M4 - .7 X 8MM	2	07733	K WASHER; 6MM FLAT	4	08269	Q HOSE CLAMP #104	1	08697
F HOSE; 3.5" TO 2.75" ID X 2"	1	084093	L HEAT SHIELD	1	20-8570	R AIR FILTER	1	RU-5138

If you need any assistance please call 1-800-858-3333 to speak with a representative in our Customer Service Center before returning the product.

NOTE: FAILURE TO FOLLOW INSTALLATION INSTRUCTIONS AND NOT USING THE PROVIDED HARDWARE MAY DAMAGE THE INTAKE TUBE, THROTTLE BODY AND ENGINE.

TO START:

1. Turn off the ignition and disconnect the negative battery cable.

NOTE: Disconnecting the negative battery cable erases pre-programmed electronic memories. Write down all memory settings before disconnecting the negative battery cable. Some radios will require an anti-theft code to be entered after the battery is reconnected. The anti-theft code is typically supplied with your owner's manual. In the event your vehicles anti-theft code cannot be recovered, contact an authorized dealership to obtain your vehicles anti-theft code.



2. Disconnect the mass air sensor electrical connection.



3. Release the spring clamp securing the crank case breather tube and then loosen the hose clamp that secures the intake tube to the throttle body.



4. Loosen the four screws securing the upper air filter housing and disconnect the wiring harness from the housing.



5. Lift up and remove the upper air filter housing and remove it from the vehicle.

NOTE: Disconnect the crank case vent tube from the intake tube.



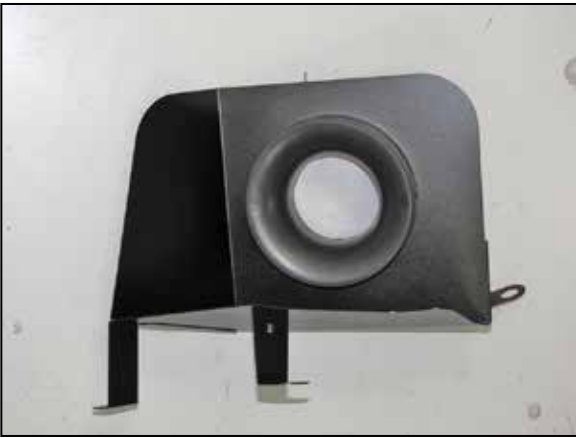
6. Remove the factory air filter.



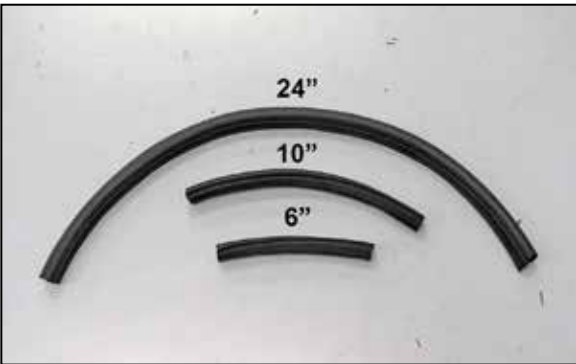
7. Remove the two bolts securing the lower air filter housing to the vehicle. Disconnect the transmission breather hose from the lower air filter housing. Lift up the housing to dislodge it from the rear mounting grommet and then remove the housing from the vehicle.

NOTE: The grommet is very tight and may stay attached to the mounting stud.

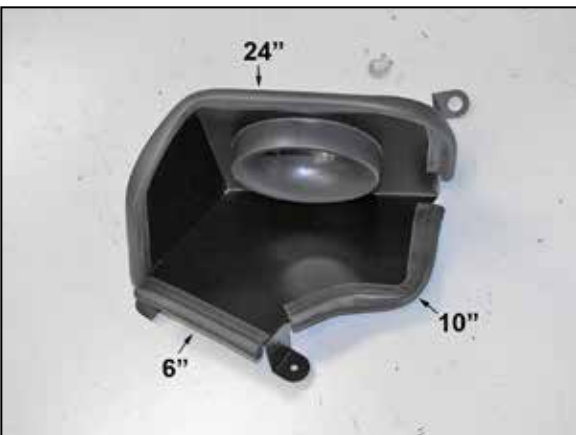
NOTE: K&N Engineering, Inc., recommends that customers do not discard factory air intake.



8. Install the filter adapter into the heat shield and secure with the provided hardware.



9. Cut the provided edge trim into three sections as shown. One section will be 6" long, one will be 10" long and the last one will be 24" long.



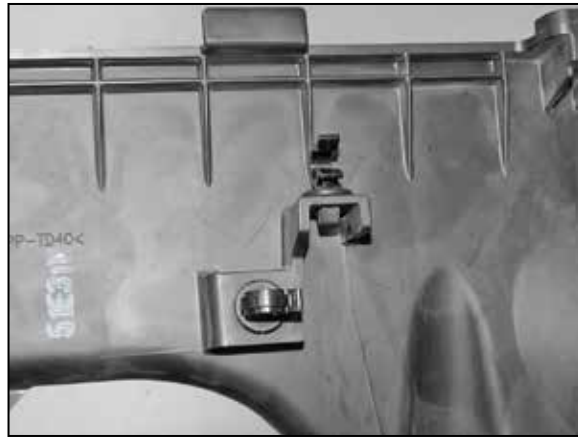
10. Install the edge trim onto the heat shield as shown.



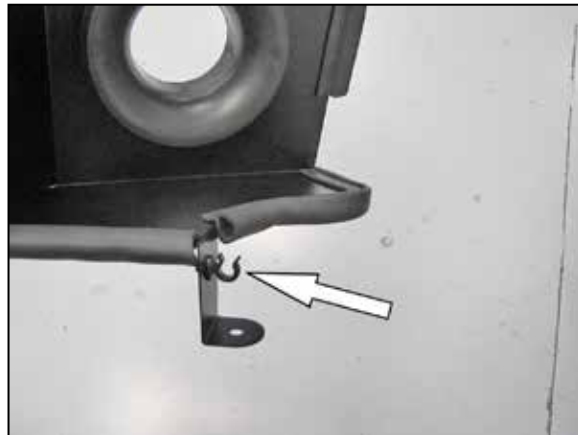
11. Remove the factory air filter housing mounting grommet from the factory air filter housing and install it into the K&N® heat shield as shown.



12. Install the two provided rubber mounted studs into the factory air filter housing mounting locations. **NOTE: The longer 1" mounting stud is to be installed into the outer most location.**



13. Remove one of the transmission vent hose clips from the lower air filter housing.



14. Install the vent hose clip into the heat shield as shown.



15. Install the heat shield into the vehicle so that the grommet slides onto the mounting stud and the front lines up with the rubber mounted studs. Secure the heat shield with the provided hardware and secure the transmission vent line to the clip installed into the heat shield.



16. Install the provided coupler (08440) onto the throttle body and secure with the provided hose clamp.



17. Install the provided step coupler (084093) onto the filter adapter and secure with the provided hose clamp.



18. Remove the mass air sensor from the factory air filter housing and install it into the K&N® intake tube using the provided hardware.



19. Install the provided grommet into the K&N® intake tube along with the factory crank case vent spring clamp.



20. Install the K&N® intake tube into the coupling hoses and adjust the tube for best fit then secure with the provided hose clamps.

NOTE: It will be necessary to flex the heat shield to ease installation of the intake tube.



21. Insert the crankcase vent tube into the grommet installed into the K&N® intake tube and use the factory spring clamp to secure. **NOTE: It is designed to be a snug fit to prevent any possible crank case vent leaks.**



22. Reconnect the mass air sensor electrical connection.



23. Install the K&N® air filter and secure with the provide hose clamp.

NOTE: Drycharger® air filter wrap; part # 22-8049DK is available to purchase separately. To learn more about Drycharger® filter wraps or look up color availability please visit <http://www.knfilters.com>®.



24. Reconnect the vehicle's negative battery cable. Double check to make sure everything is tight and properly positioned before starting the vehicle.

25. It will be necessary for all K&N® high flow intake systems to be checked periodically for realignment, clearance and tightening of all connections. Failure to follow the above instructions or proper maintenance may void warranty.

ROAD TESTING:

1. Start the engine with the transmission in neutral or park, and the parking brake engaged. Listen for air leaks or odd noises. For air leaks secure hoses and connections. For odd noises, find cause and repair before proceeding. This kit will function identically to the factory system except for being louder and much more responsive.

2. Test drive the vehicle. Listen for odd noises or rattles and fix as necessary.

3. If road test is fine, you can now enjoy the added power and performance from your kit.

4. K&N Engineering, Inc., requires cleaning the intake system's air filter element every 100,000 miles. When used in dusty or off-road environments, our filters will require cleaning more often. We recommend that you visually inspect your filter once every 25,000 miles to determine if the screen is still visible. When the screen is no longer visible some place on the filter element, it is time to clean it. To clean and re-oil, purchase our filter Recharger® service kit, part number 99-5050 or 99-5000 and follow the easy instructions.

NOT LEGAL FOR SALE OR USE ON ANY POLLUTION CONTROLLED MOTOR VEHICLE IN CALIFORNIA OR STATES ADOPTING CALIFORNIA EMISSION PROCEDURES.

See knfilters.com for CARB status on each part for a specific vehicle