



INTAKE SYSTEMS FOR VEHICLES LISTED ARE 50 STATE LEGAL. SEE KNFILTERS.COM FOR CARB STATUS ON EACH PART FOR A SPECIFIC VEHICLE.

## INSTALLATION INSTRUCTIONS

# 71-2576

## FORD

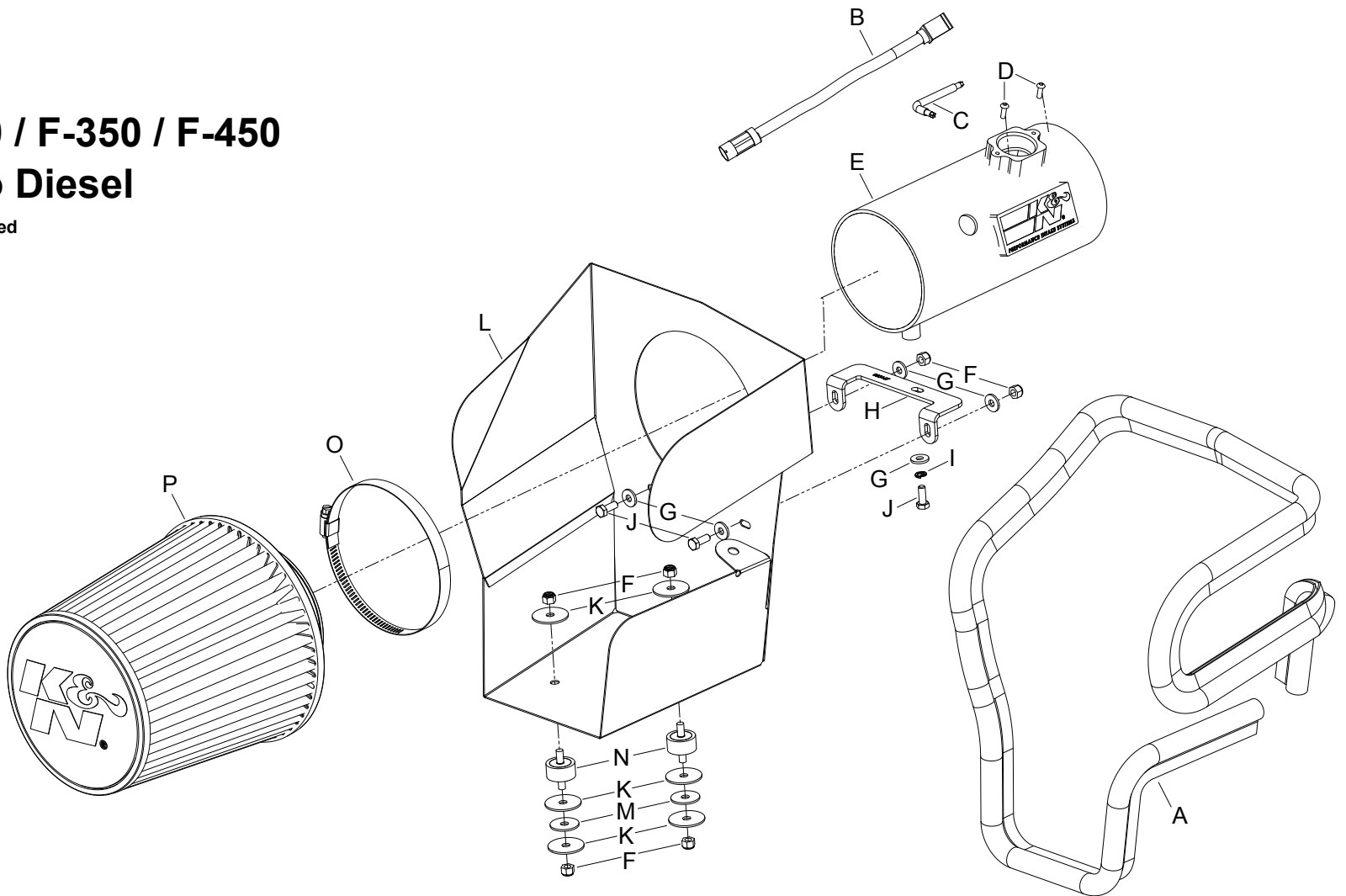
### 2008-10 F-250 / F-350 / F-450

### V8-6.4L Turbo Diesel

NOTE: This kit was not designed to fit vehicles with a body lift.

#### TOOLS NEEDED:

2.5mm Allen Wrench  
4mm Allen Wrench  
10mm Socket  
10mm Wrench  
13mm Wrench  
Extension  
Flat blade Screwdriver  
Ratchet



#### PARTS LIST:

Description	Qty.	Part #	Description	Qty.	Part #	Description	Qty.	Part #
A	1	102454	G	5	08275	M	2	21685
B	1	21635-1	H	1	083167	N	2	07027
C	1	69801	I	1	1-3025	O	1	08671KA
D	2	07726	J	3	07812	P	1	RU-5283HBK
E	1	27589TK	K	6	08151			
F	6	07512	L	1	07686			

**NOTE: FAILURE TO FOLLOW INSTALLATION INSTRUCTIONS AND NOT USING THE PROVIDED HARDWARE MAY DAMAGE THE INTAKE TUBE, THROTTLE BODY AND ENGINE.**

#### TO START:

1. Turn off the ignition and disconnect the negative battery cable.

**NOTE: Disconnecting the negative battery cable erases pre-programmed electronic memories. Write down all memory settings before disconnecting the negative battery cable. Some radios will require an anti-theft code to be entered after the battery is reconnected. The anti-theft code is typically supplied with your owner's manual. In the event your vehicles' anti-theft code cannot be recovered, contact an authorized dealership to obtain your vehicles anti-theft code.**



2. Disconnect the mass air sensor and filter minder electrical connections and unhook the wiring harness clip from the air box.



3. Loosen the hose clamp securing the inlet hose to the air box.



4. Unhook the warm air inlet tube from the firewall as shown.



5. Release the two upper air box retaining clips and then remove the upper air box housing assembly as shown.



6. Lift up the lower air box to unhook it from the mounting grommets and then remove from the vehicle.

**NOTE: K&N Engineering, Inc., recommends that customers do not discard factory air intake.**



7. Install the provided edge trim onto the heat shield as shown.

**NOTE: Some trimming of the edge trim will be necessary.**



8. Install the tube mounting bracket (083167) onto the heat shield using the provided hardware.



9. Remove the three mounting grommets from the air box mounting tray.



10. Install the two provided rubber mounted studs onto the air box mounting tray as shown.

**NOTE: The fender washers should be placed on either side of the mounting tray with the rubber washers between each fender washer.**



11. Remove the battery tray mounting bolt shown. **NOTE: This bolt will be reused.**



12. Install the heat shield assembly into position so that it rests onto the rubber mounted studs. Secure the heat shield onto the rubber mounted studs with the provided hardware and to the battery tray with the bolt removed in the previous step.



13. Remove the mass air sensor and filter minder along with the grommet from the factory air box as shown.



14. Install the mass air sensor into the K&N intake tube and secure with the provided screws.



15. Install the K&N intake tube into the factory inlet hose and align with the mounting bracket. Secure the tube with the factory hose clamp and hardware provided.



16. Install the factory filter minder grommet and filter minder as shown.



17. Connect the filter minder and mass air sensor electrical connections.



18. Install the K&N air filter and secure with the provided hose clamp.



19. Reconnect the vehicle's negative battery cable. Double check to make sure everything is tight and properly positioned before starting the vehicle.

20. The C.A.R.B. exemption sticker, (attached), must be visible under the hood so that an emissions inspector can see it when the vehicle is required to be tested for emissions. California requires testing every two years, other states may vary.

21. It will be necessary for all K&N high flow intake systems to be checked periodically for realignment, clearance and tightening of all connections. Failure to follow the above instructions or proper maintenance may void warranty.

#### ROAD TESTING:

1. Start the engine with the transmission in neutral or park, and the parking brake engaged. Listen for air leaks or odd noises. For air leaks secure hoses and connections. For odd noises, find cause and repair before proceeding. This kit will function identically to the factory system except for being louder and much more responsive.

2. Test drive the vehicle. Listen for odd noises or rattles and fix as necessary.

3. If road test is fine, you can now enjoy the added power and performance from your kit.

4. K&N Engineering, Inc., requires cleaning the Blackhawk Induction™ intake system's air filter element every 50,000 miles. When used in dusty or off-road environments, our filters will require cleaning more often. We recommend that you visually inspect your filter once every 25,000 miles to determine if the screen is still visible. When the screen is no longer visible some place on the filter element, it is time to clean it. To clean, purchase our Synthetic Filter Cleaner, part number 99-0624 and follow the easy instructions.

**INTAKE SYSTEMS FOR VEHICLES LISTED ARE 50 STATE LEGAL. SEE KNFILTERS.COM FOR CARB STATUS ON EACH PART FOR A SPECIFIC VEHICLE.**