



QUALITY... PLAIN & SIMPLE®

Billet Aluminum Adjustable Trans Shift Arm Installation Instructions

For TH350, TH400, 700-R4, TH200, 200-4R, 4L60, 4L60E, 4L80E, and 6L80E

General Installation Notes:

Please read these instructions completely before beginning the installation. If you have any questions, please call.

Before beginning the installation, disconnect the negative battery cable and use wheel chocks to block the vehicle's wheels.

Make sure the engine, transmission, body and frame are properly grounded. We recommend using anti-seize lubricant on all aluminum threads.

Refer to Fig. 1 and Fig. 2 for the names of the components.

Step 1: Put the shifter and the transmission selector shaft into the Park position. Remove the existing lever from the transmission selector shaft.

Step 2: Install the splined trans arm bushing onto the transmission selector shaft with the open end facing out. Make sure the flats in the bushing are aligned with the flats on the selector shaft.

This kit includes either one or two trans arm nuts. All EXCEPT 6L80E/6L90E include one metric 10mm trans arm nut (has nicks on the hex) and one standard 3/8"-16 trans arm nut. 6L80E/6L90E comes with only a 10mm trans arm nut. Using the proper trans arm nut for your application, tighten the splined trans arm bushing onto the transmission selector shaft.

Billet Aluminum Adjustable Trans Shift Arm Installation Instructions

For TH350, TH400, 700-R4, TH200, 200-4R, 4L60, 4L60E, 4L80E, and 6L80E/6L90E

Building American Quality... With A Lifetime Warranty!®

TOLL FREE 1-877-469-7440 • tech@lokar.com • www.lokar.com

All Except 6L80E/6L90E:

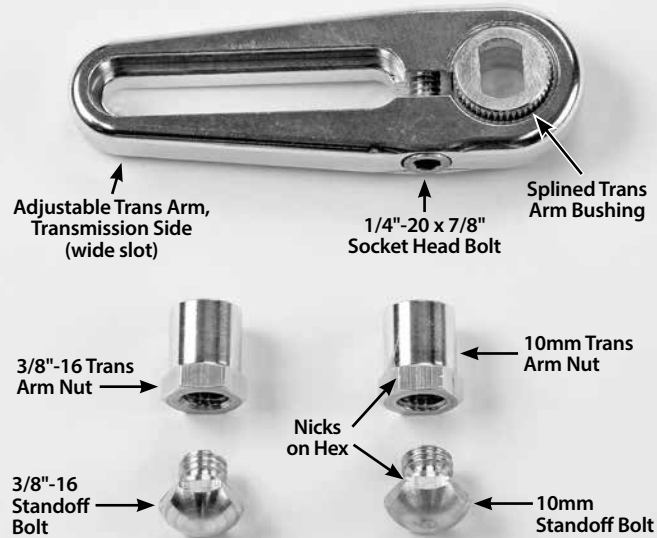


Fig. 1

Standoff Bolt is only used with the Lokar Backup Light Switch or Neutral Safety Switch (not included).

6L80E/6L90E:

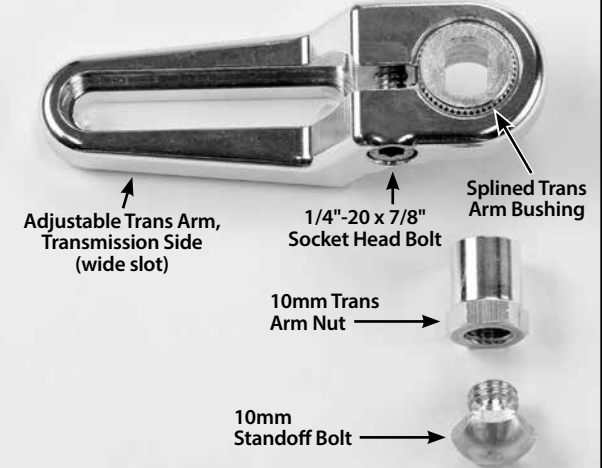


Fig. 2

Standoff Bolt is only used with the Lokar Backup Light Switch or Neutral Safety Switch (not included).

All Except 6L80E/6L90E:

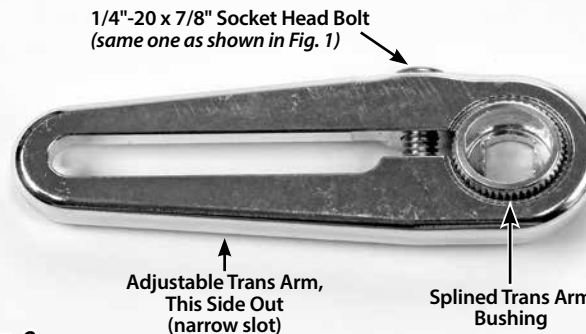


Fig. 3

6L80E/6L90E:

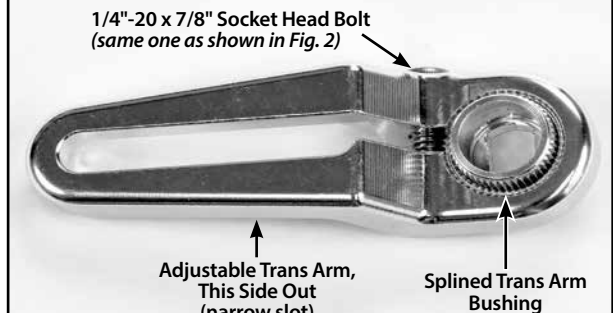


Fig. 4

Step 3: Install the adjustable trans arm onto the splined trans arm bushing with the wide slot on the side towards the transmission and the narrow slot on the side away from the transmission. **Figs. 1, 2, 3** and **4** The positioning varies per application. Adjust the position of the adjustable trans arm as needed in order to get the transmission into all gears. Once you get the adjustable trans arm positioned properly, use a 3/16" Allen wrench to tighten the 1/4"-20 x 7/8" socket head bolt to clamp the adjustable trans arm to the splined trans arm bushing.

The adjustable trans arm is designed to use a 5/16" diameter bolt with a 1/2" hex head to connect to the shift linkage (not included). The hex head will fit into the slot on the transmission side of the adjustable trans arm, to keep the bolt from spinning when tightening. **Fig. 5** Positioning of the shift linkage bolt into the adjustable trans arm slot will be dependent upon the shifter distance between gears.

Note: Also included in this kit are either one or two standoff bolts. All EXCEPT 6L80E/6L90E include a 10mm standoff bolt (has nicks on hex) and a 3/8"-16 standoff bolt. 6L80E/6L90E comes with only a 10mm standoff bolt. These standoff bolts are only used with the Lokar Part No. BL-1400U, Back-Up Light or Neutral Safety Switch Kit. These are to retain the back-up light or neutral safety switch trigger to the selector shaft.

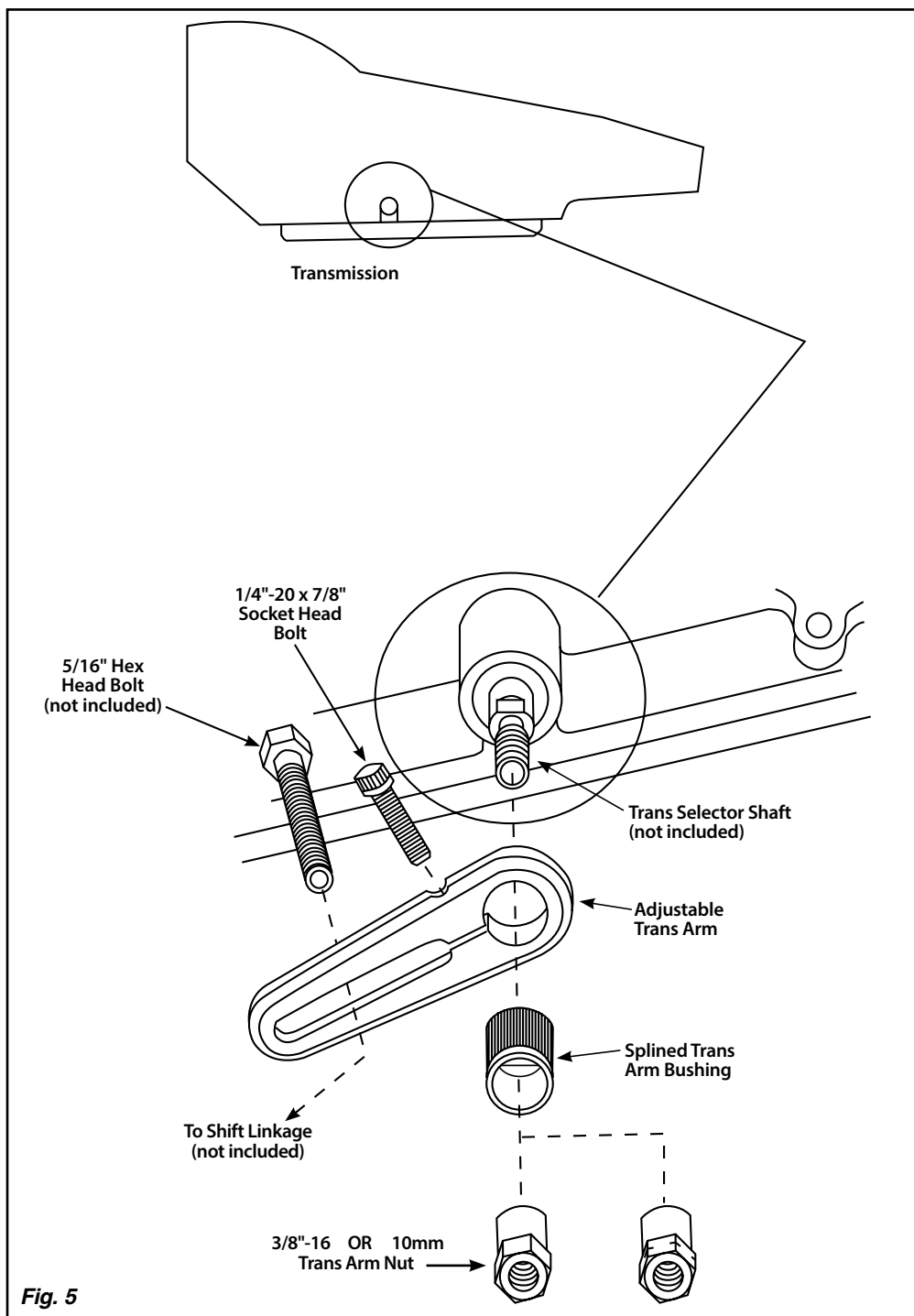


Fig. 5