



QUALITY... PLAIN & SIMPLE®

Billet Aluminum Adjustable Foot Rest Installation Instructions

General Installation Notes:

Please read these instructions completely before beginning the installation. If you have any questions, please call.

Before beginning the installation, disconnect the negative battery cable and use wheel chocks to block the vehicle's wheels.

We recommend using anti-seize lubricant on all aluminum threads.

Refer to Fig. 1 for the component names.

Step 1: Determine a comfortable location for the Foot Rest. You will need a flat surface that is a minimum of 2-1/2" long and 1-1/2" wide for the Foot Rest to mount to. Check to make sure you can get to the underside of the floorboard in that location in order to install the nylock nuts onto the mounting bolts.

Step 2: Remove the #10-32 x 1/2" button head bolts to separate the foot rest pad from the foot rest base using a 1/8" Allen wrench. Position the foot rest base in the location you chose, and mark the two mounting holes using a center punch. The marks should be 1-3/4" center to center.

Step 3: Make sure there is nothing in the way underneath the floor (cables, wiring, hoses, brake lines), and drill two 13/64" holes.

Step 4: Install the foot rest base onto the floorboard using the #10-32 x 5/8" flat head bolts and nylock nuts. Tighten using a 1/8" Allen wrench. **Fig. 2**

Step 5: Reinstall the foot rest pad onto the foot rest base using the #10-32 x 1/2" button head bolts. **Fig. 3** Adjust the foot rest pad to the most comfortable angle before tightening the button head bolts with a 1/8" Allen wrench.

See **Fig. 4** for a completed installation.

Billet Aluminum Adjustable Foot Rest Installation Instructions

Building American Quality... With A Lifetime Warranty!®

TOLL FREE 1-877-469-7440 • tech@lokar.com • www.lokar.com

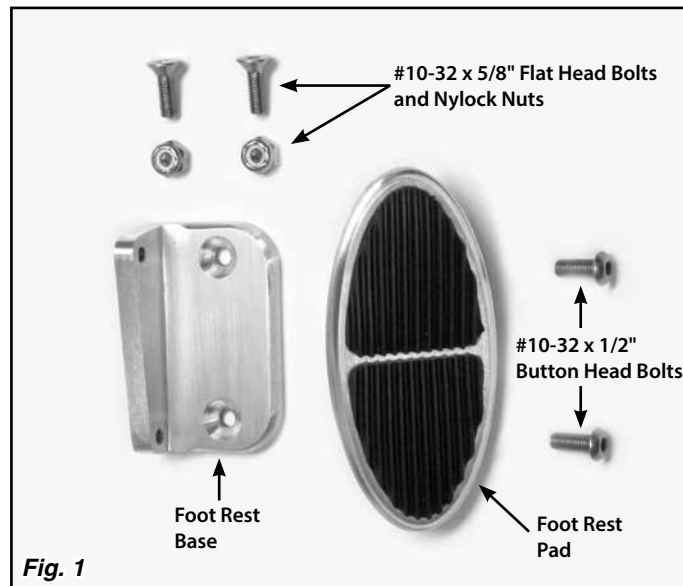


Fig. 1

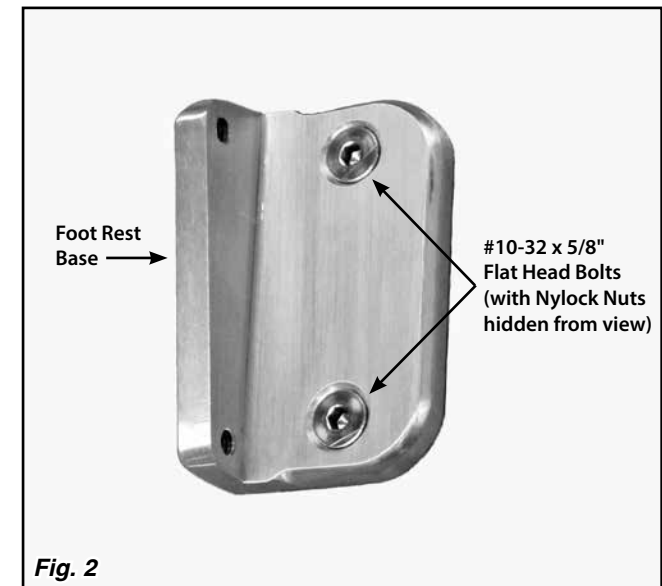


Fig. 2

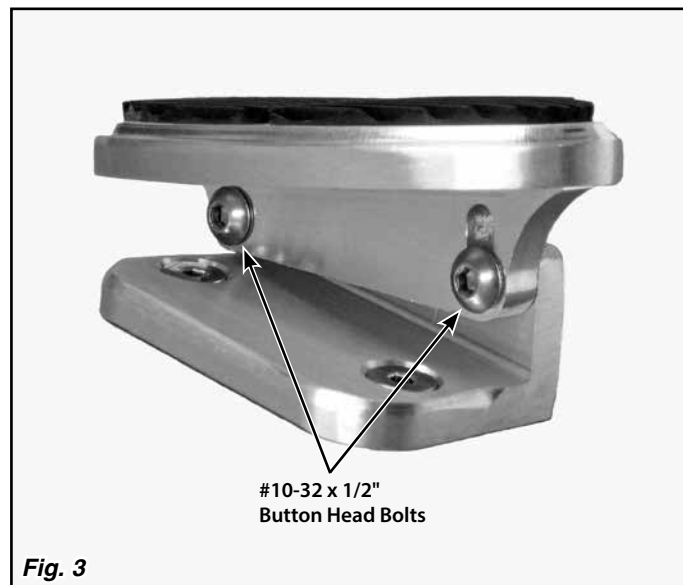


Fig. 3

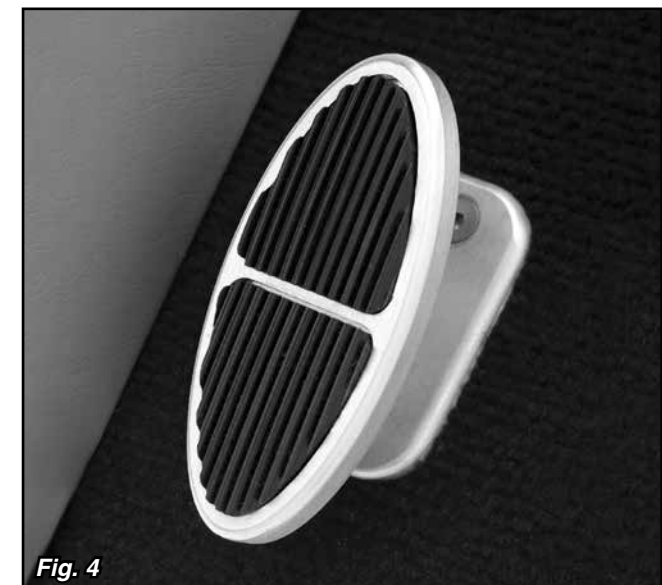


Fig. 4