

Installation Instructions

I - Sheet Number I-B041247 Rev. A



Premium Style. Lasting Performance.

For proper installation and best possible fit, please read all instructions BEFORE you begin.
For technical assistance or to obtain missing parts, please call Customer Relations at 1-800-241-7219.

Para una instalación adecuada y el mejor ajuste posible, lea todas las instrucciones ANTES de comenzar.
Para obtener asistencia técnica o para obtener piezas que faltan, por favor llame a Relaciones con el cliente en 1-800-241-7219.

Pour une installation correcte et le meilleur ajustement possible, s'il vous plaît lire toutes les instructions AVANT de commencer.
Pour une assistance technique ou pour obtenir des pièces manquantes, s'il vous plaît communiquer avec les Relations à la clientèle au 1-800-241-7219.

Care and Cleaning

- **Wash only with mild soap & dry with a clean cloth.**
Lavar con jabón suave y seque con un paño limpio.
Laver avec un savon doux et séchez avec un chiffon propre.
- **Every 3 months or 5000 miles check the cover tension and all components for tightness.**
Revise cada 3 meses o 5,000 millas la tensión de la cubierta y todos los componentes estén ajustados.
Vérifiez tous les 3 mois ou 5000 miles la tension couvercle et le serrage des composants.

Congratulations!

You have purchased one of the many quality Lund® branded products offered by Lund International, Inc. We take the utmost pride in our products and want you to enjoy years of satisfaction from your investment. We have made every effort to ensure that your product is top quality in terms of fit, durability, finish and ease of installation.

Usted ha comprado uno de los muchos productos de calidad ofrecidos por Lund® de marca productos ofrecidos por Lund International, Inc. Tomamos el orgullo extremo en nuestros productos y queremos que disfrute durante años de su inversión. Hemos hecho todos los lo posible para que su producto es de calidad superior en cuanto a ajuste, durabilidad, acabado y facilidad de la instalación.

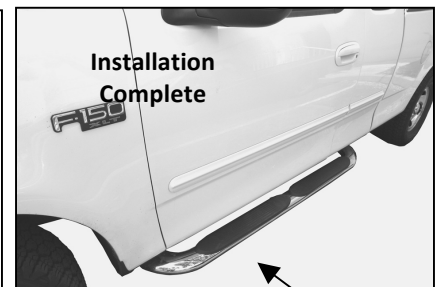
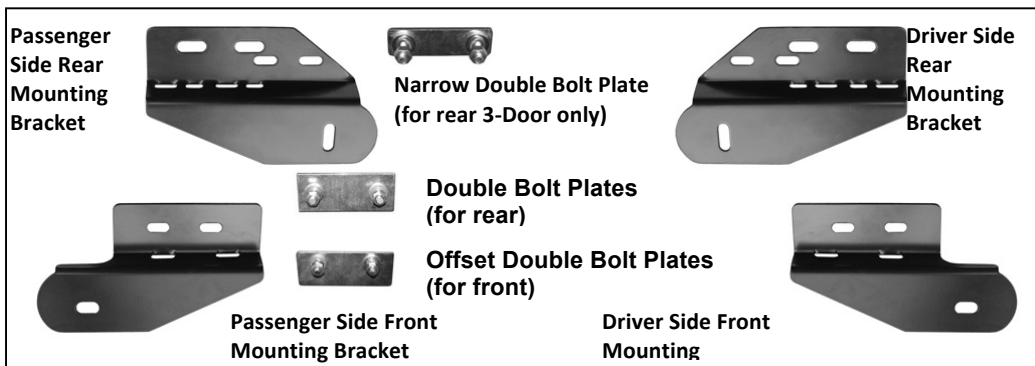
Vous avez acheté un des nombreux produits de qualité offerts par Lund® marque produits offerts par Lund International, Inc Nous sommes extrêmement fiers de nos produits et souhaitons que vous tiriez des années de satisfaction de votre investissement. Nous avons pris toutes les efforts pour s'assurer que votre produit est de qualité supérieure en termes de durabilité, de finition et la facilité de l'installation.

INSTALLATION INSTRUCTIONS

PART# 23266412/ 23466412

PARTS LIST:

1	Driver/Left Sidebar	2	10mm Offset Double Bolt Plates (for front)
1	Passenger/Right Sidebar	2	10mm Double Bolt Plates (for rear)
1	Driver/Left Front Mounting Bracket	8	10mm ID x 27mm OD x 3mm Flat Washers
1	Passenger/Right Front Mounting Bracket	8	10mm Lock Washers
1	Driver/Left Rear Mounting Bracket	8	10mm Hex Nuts
1	Passenger/Right Rear Mounting Bracket	2	10mm Plastic Retainers (for Narrow Bolt Plate use only)
4	1/2" x 2" Hex Bolts	8	8mm x 25mm Hex Bolts
4	1/2" Lock Washer	16	8mm x 24mm OD x 2mm Flat Washers
4	1/2" ID x 1 1/2" OD x 1/8 Flat Washers	8	8mm Lock Washers
1	10mm Narrow Double Bolt Plate (for driver side rear on 3-Door models only)	8	8mm Hex Nuts



Driver Side Pictured. Note step pad location

PROCEDURE:

1. REMOVE CONTENTS FROM BOX. VERIFY ALL PARTS ARE PRESENT. READ INSTRUCTIONS CAREFULLY BEFORE STARTING INSTALLATION.
2. From under the driver side front of the vehicle, remove the oval grommet located on the inside of the rocker panel, (Figure 1). Insert (1) Offset Double Bolt Plate, (with threaded studs toward the top), into the factory oval hole, (Figure 2).
3. Locate the driver side front Mounting Bracket. Hold the Double Bolt Plate from one side while you position and attach the Mounting Bracket to the opposite side. Secure the Bolt Plate with one 10mm Flat Washer, 10mm Lock Washer and 10mm Hex Nut. Proceed to install the rest of the hardware to secure the Mounting Bracket to the Double Bolt Plate. (Figure 3). Do not tighten hardware at this time.
4. Align the Mounting Bracket with holes in the pinch weld. Attach the Mounting Bracket to the pinch weld using the included (2) 8mm x 25mm Hex Bolts, (4) 8mm Flat Washers, (2) 8mm Lock Washers and (2) 8mm Hex Nuts. **NOTE:** Insert Bolt with Flat Washer from the outside-in. Do not tighten hardware at this time.
5. Moving to the rear, use one of the (centered) Double Bolt Plates and hardware to install the Rear Bracket. Repeat steps 2 – 4 for driver side rear Mounting Bracket.

Note for 1997-98 3-Door models only: The 3-door model uses the included (1) 10mm Narrow Bolt Plate for driver side rear Bolt Plate installation. Thread (1) 10mm Plastic Retainer partially

onto (1) threaded end on the Bolt Plate, (**Figure 5**). Insert the other end of the Bolt Plate, (without plastic retainer), into the large round hole and back out the smaller round hole on the inside of the rocker panel. Continue to thread the Plastic Retainer down the Bolt Plate until it is flush with the sheetmetal. Thread (1) Plastic Retainer onto the remaining threaded end on the Bolt Plate, (**Figure 6**). **IMPORTANT:** The Plastic Retainer is designed to prevent the Bolt Plate from falling into the body cavity and to aid in mounting the Bracket.

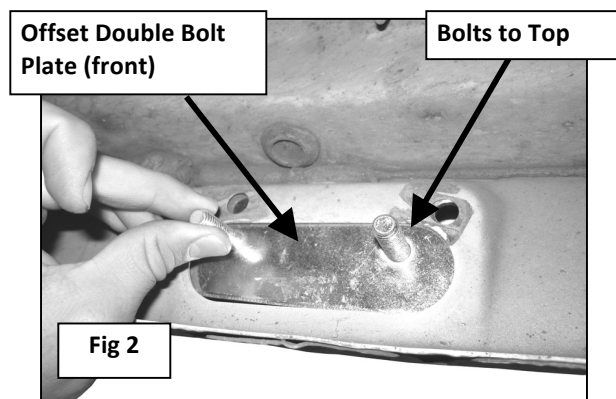
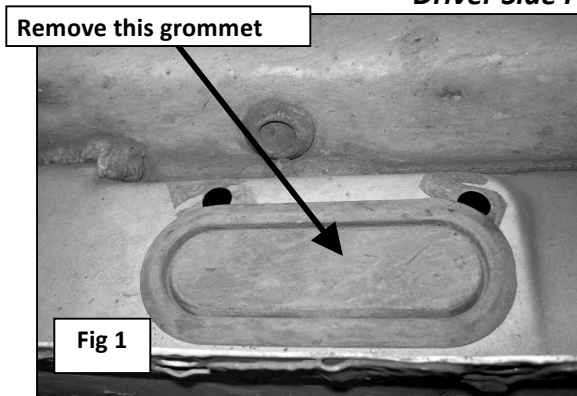
6. Depending on model year, slots in rear Mounting Brackets may align with only one factory hole along pinch weld, (**Figure 4 & 7**). If desired, installer may drill through Pinch Weld for second Pinch Weld bolt, (included). **IMPORTANT:** Do not drill for second hole until the Sidebar has been completely installed and adjusted to properly locate the Mounting Bracket on the vehicle. Do not tighten hardware at this time.
7. Once the Mounting Brackets have been partially installed, carefully unpack and separate the driver and passenger Sidebar. **NOTE:** Step pad typically goes toward front of vehicle to match footwell. Position Sidebar onto Mounting Brackets using the included (2) 1/2" x 2" Hex Head Bolts, (2) 1/2" Lock Washers, and (2) 1/2" Flat Washers, (**Figure 4 & 7**). Do not tighten hardware.
8. Level and adjust the Sidebar, drill for second Pinch Weld Bolt if necessary, then tighten all hardware at this time.
9. Repeat steps 2 – 8 for passenger Sidebar installation.
10. Do periodic inspections of the installation to make sure all hardware is secure and tight.

To protect your investment, wax this product after installing. Regular waxing is recommended to add a protective layer over the finish. Do not use any type of polish or wax that may contain abrasives that could damage the finish.

For stainless steel: Aluminum polish may be used to polish small scratches and scuffs on the finish. Mild soap may be used also to clean the Sidebar.

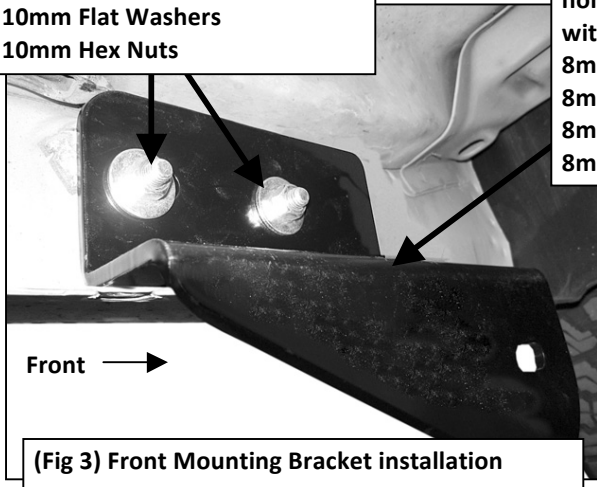
For gloss black finishes: Mild soap may be used to clean the Sidebar.

Driver Side Front Installation Pictured



Driver Side Installation Pictured

Offset Double Bolt Plate
 10mm Lock Washers
 10mm Flat Washers
 10mm Hex Nuts



(Fig 3) Front Mounting Bracket installation

Align holes in brackets with
 holes in pinch weld. Secure
 with:
 8mm x 25mm Hex Bolts
 8mm Hex Nuts
 8mm Lock Washers
 8mm Flat Washers

Centered Double Bolt Plate
 through top slots in Mounting
 Bracket
 10mm Lock Washers
 10mm Flat Washers
 10mm Hex Nuts



**(Fig 4) Rear Mounting Bracket installation
 (except driver side Mounting Bracket on 97-98
 3-door models)**

**Narrow Double Bolt Plate (driver
 side 3-Door model only)**
 Pictured with Plastic Retainer

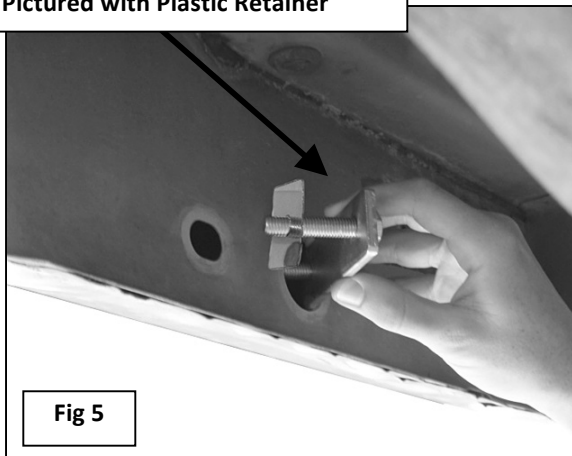


Fig 5

**Thread Plastic Retainers until tight
 against sheetmetal**

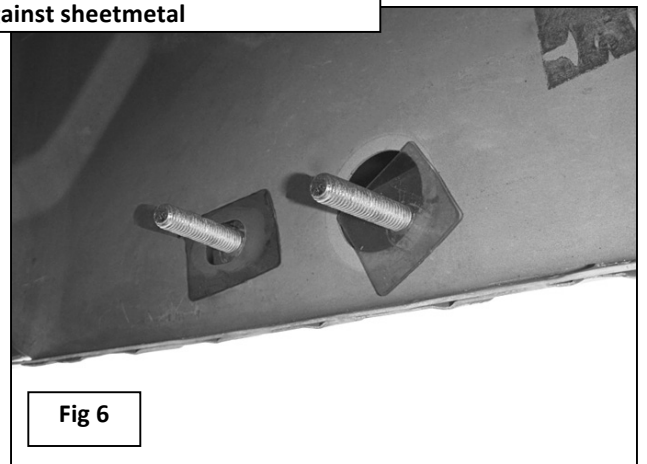


Fig 6

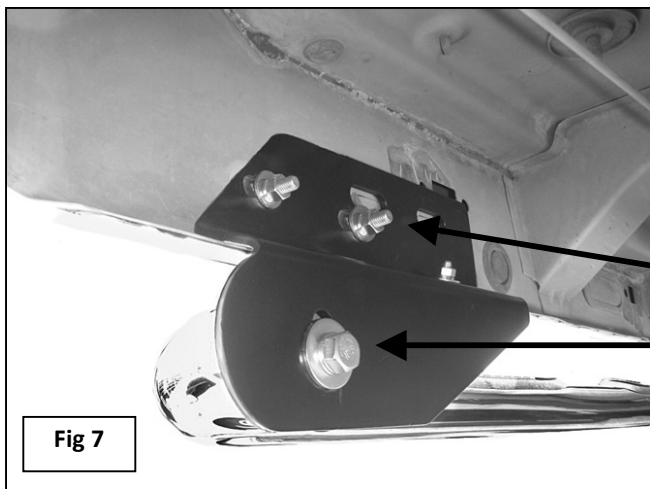


Fig 7

**Narrow Double Bolt Plate uses (2)
 lower slots on Mounting Bracket
 (driver side 3-Door model only)**
 1/2" x 2" Hex Bolt
 1/2" Lock Washer
 1/2" Flat Washer