

Inspection After Installation

1. Check to see that shield doesn't contact outer hood surface or grille. It will rub off paint.
2. Make sure bumpers (if part of kit) are installed on hood and NOT shield. They will rub off paint.

Care and Cleaning

1. Do not use "automatic" style car washes.
2. Never use harsh or abrasive cleaners on accessories made of plastics.
3. Do not pull on shield to close hood.
4. Periodically check fasteners for loosening.

Congratulations

You have purchased one of the many quality products offered by Lund. We take the utmost pride in our products and want you to enjoy years of satisfaction from your investment. We have made every effort to ensure that your product is top quality in terms of fit, finish, and ease of installation.

LUND

Lund International

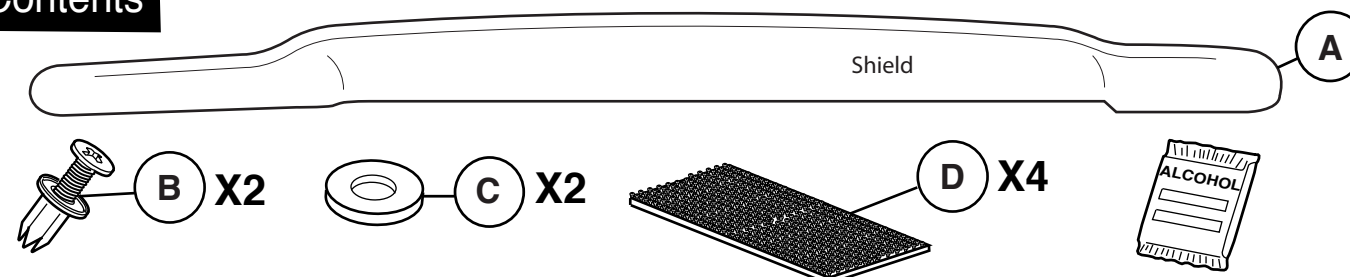
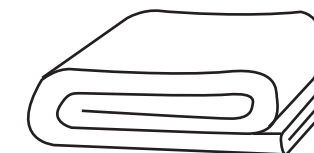
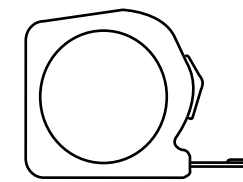
800-241-7219 • Visit us at lundinternational.com

© 2012 Lund International, Inc. All rights reserved.

Lund® and the Lund® logo are trademarks of Lund International, Inc.

**LUND**

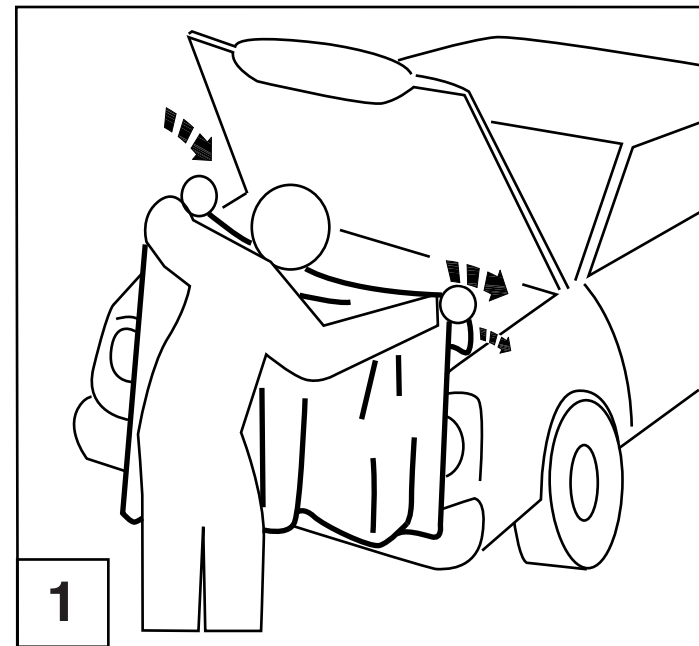
Interceptor™ Wrap Bug Shield

FOR PROPER INSTALLATION AND BEST POSSIBLE FIT, PLEASE READ ALL INSTRUCTIONS BEFORE YOU BEGIN.*For technical assistance or to obtain missing parts, please call Customer Service at 1-800-241-7219.***Contents****Tools Required****Important****! WARNING/CAUTION/NOTE**

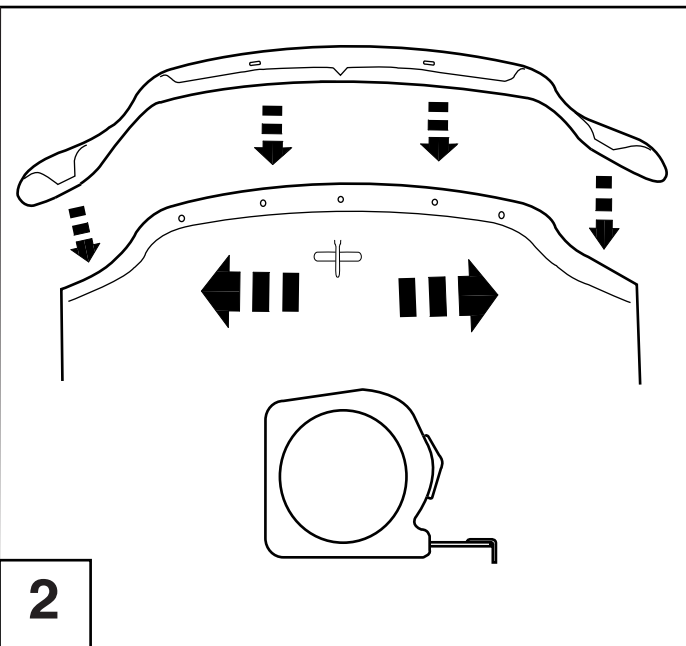
Please read this manual and follow its instructions carefully. To emphasize special information, the words WARNING, CAUTION, and NOTE have special meanings. These special meanings apply except when laws or regulations require that the signal words be used with a different meaning.

Preparation Before Installation

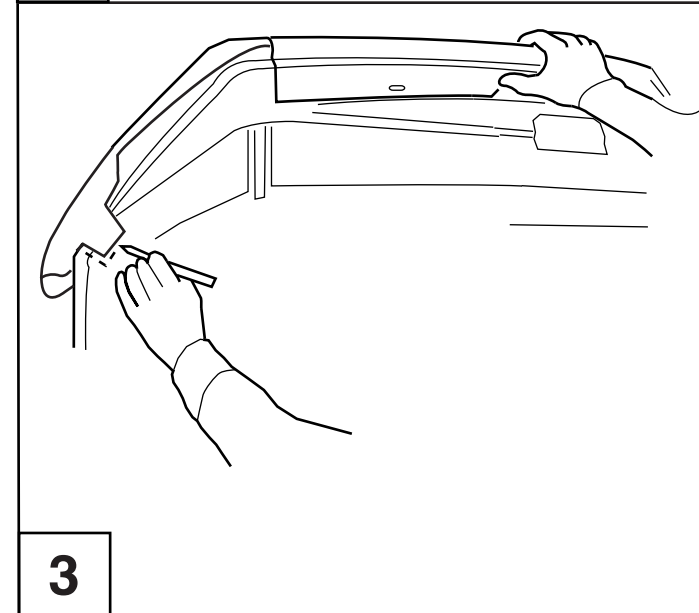
Wash the hood, including underskin, using hot soapy water, rinse and dry with clean towel.



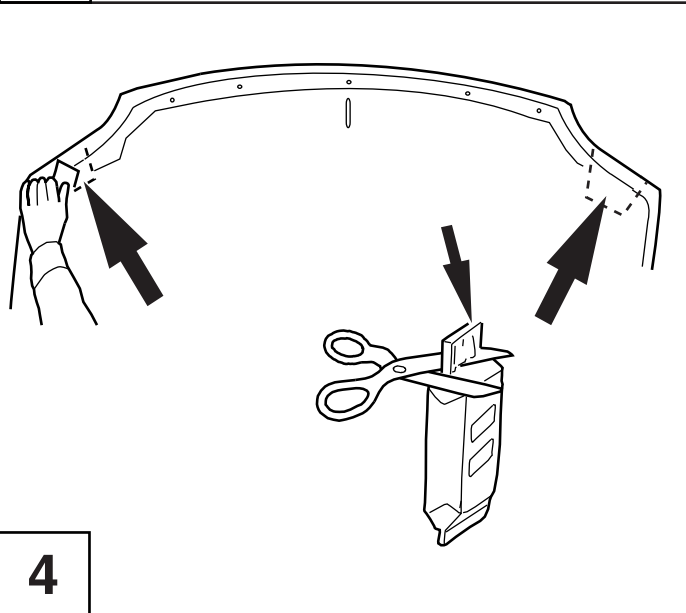
1



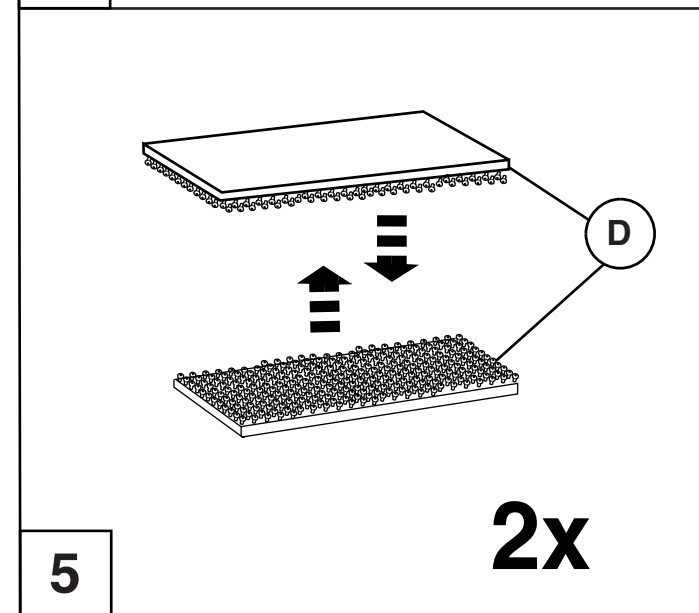
2



3

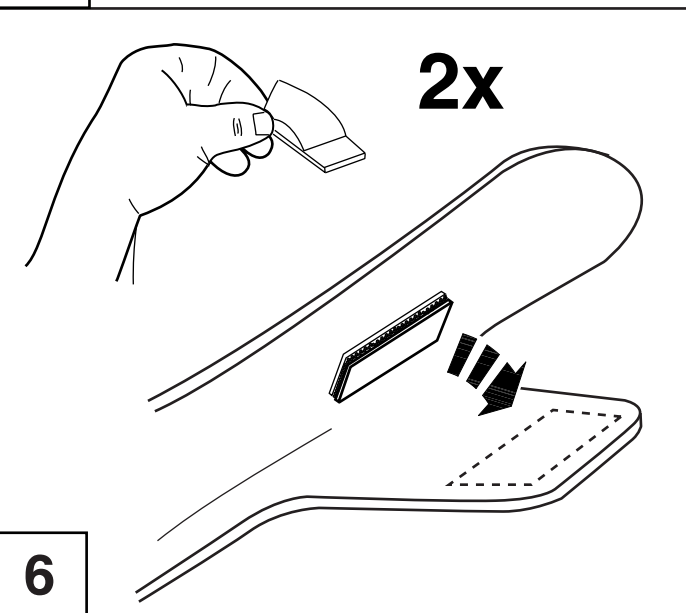


4

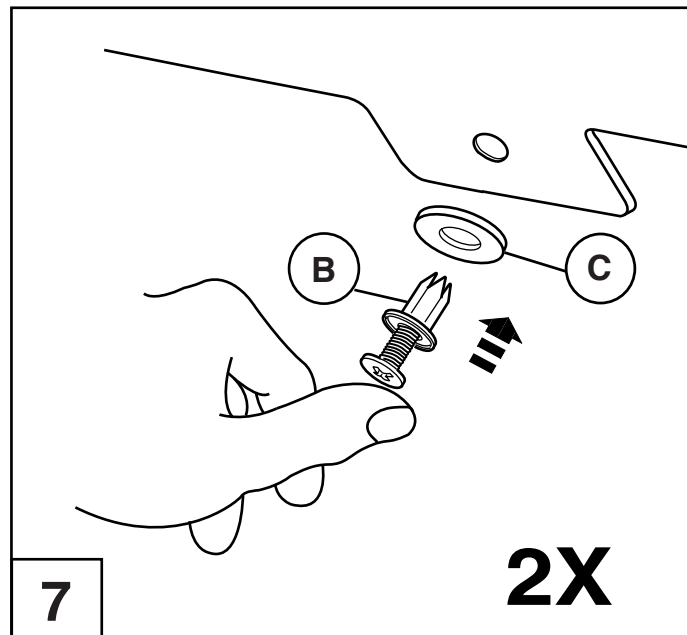


5

2x

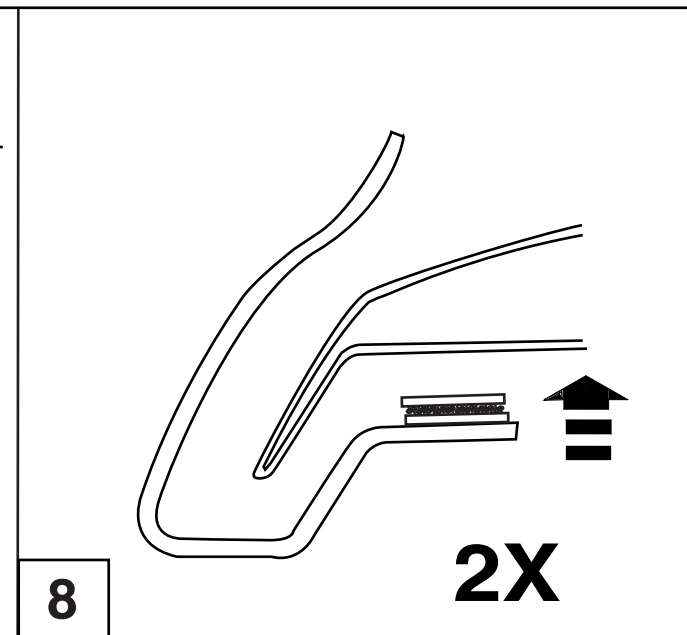


6



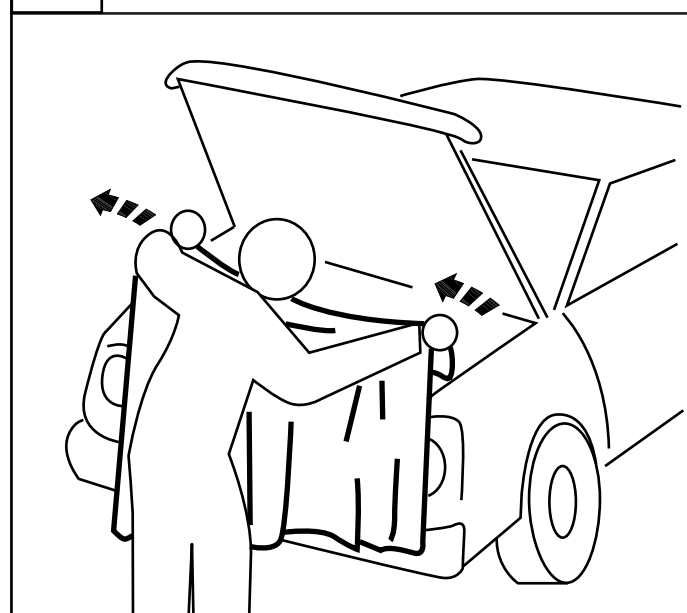
7

2X

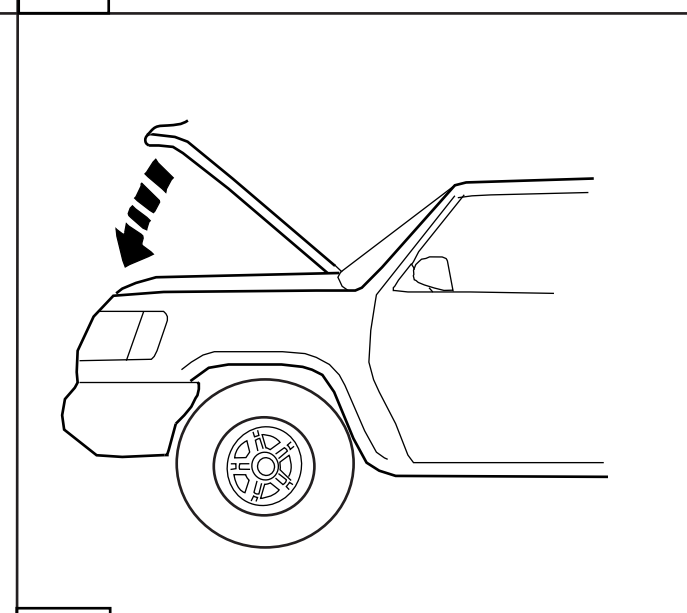


8

2X



9



10