

# INSTALLATION INSTRUCTIONS AND PARTS LIST

APPLICATION: 451413 AND 461413 NERF BARS:  
2014 GM CREW CAB PICKUPS



## NO DRILL INSTALLATION

1. READ INSTRUCTIONS COMPLETELY AND CHECK TO MAKE SURE THAT ALL REQUIRED PARTS (LISTED ON SERVICE PARTS LIST) ARE ON HAND BEFORE STARTING THE INSTALLATION.
2. ASSEMBLE THE NERF BAR TUBES AND MOUNTING BRACKETS AS FOLLOWS.  
NOTE: THE 1" X 3" SERIAL NUMBER DECAL IS LOCATED ON THE FRONT LEG OF THE LEFT (DRIVERS SIDE) NERF BAR ASSEMBLY.
  - 2.1 LAY THE NERF BAR/PAD ASSEMBLIES (ITEM #1) ON A FLAT SURFACE. (LEFT & RIGHT HAND ASSEMBLIES SHOULD BE MIRROR IMAGES OF ONE ANOTHER).
  - 2.2 ATTACH THE FRONT (5-1/4" TALL) BRACKET (ITEM #3) AND REAR (7-5/8" TALL) BRACKET (ITEM #4) TO THE NERF BAR AS SHOWN. USE 1/2-13 X 2" LONG HEX HEAD BOLTS (ITEM #5). TORQUE THESE BOLTS TO 65 LB. FT.

### NOTE:

**DUE TO EXCESSIVE THREAD LOCKER IN THE BODY MOUNT BOLT AREA ON THE GM SILVERADO/SIERRA, PLEASE USE CAUTION WHEN REMOVING THESE BODY MOUNT BOLTS IN ORDER TO REDUCE THE RISK OF CAUSING DAMAGE TO THE THREADED INSERTS INSIDE THE VEHICLE.**

- 3 REMOVE THE FOUR (4) APPLICABLE FACTORY BODY MOUNT BOLTS FROM THE VEHICLE.
  - 3.1 THESE FOUR (4) BOLTS ARE REUSED IN THIS INSTALLATION.
  - 3.2 THE BODY MOUNT STEEL WASHER PLATES WITH RUBBER CUSHIONS ARE REUSED BETWEEN THE BODY MOUNT AND THE NERF BAR MOUNTING BRACKET.
- 4 POSITION THE NERF BAR ASSEMBLY UP UNDER THE VEHICLE AND ATTACH THE FRONT AND REAR BRACKETS TO THE BODY MOUNTS WITH FACTORY BODY MOUNT BOLTS AS SHOWN.
  - 4.1 USE THE EXISTING M14-2.00 X 120mm (4-3/4") LONG FACTORY BODY MOUNT BOLT.
  - 4.2 TORQUE ALL BODY MOUNT BOLTS TO 65 LB. FT.

## SERVICE PARTS LIST

ITEM	PART NO.	QTY	DESCRIPTION
1	550541	2	NERF BAR WLDMT – SST, LH & RH, 461413
1	550548	2	NERF BAR WLDMT – BLACK, LH & RH, 451413
2	103950	4	PAD- STEP, NB, BLK, 20.00 LG
3	552344	2	BRKT- MTG, NB, LH/RH, FRT, 45/461413
4	552345	2	BRKT- MTG, NB, LH/RH, REAR, 45/461413
5	104249	4	BOLT-HEX HD CAP, SERRFLG, 1/2 X 2.00" LG,ZP



(A LUVERNE Company)

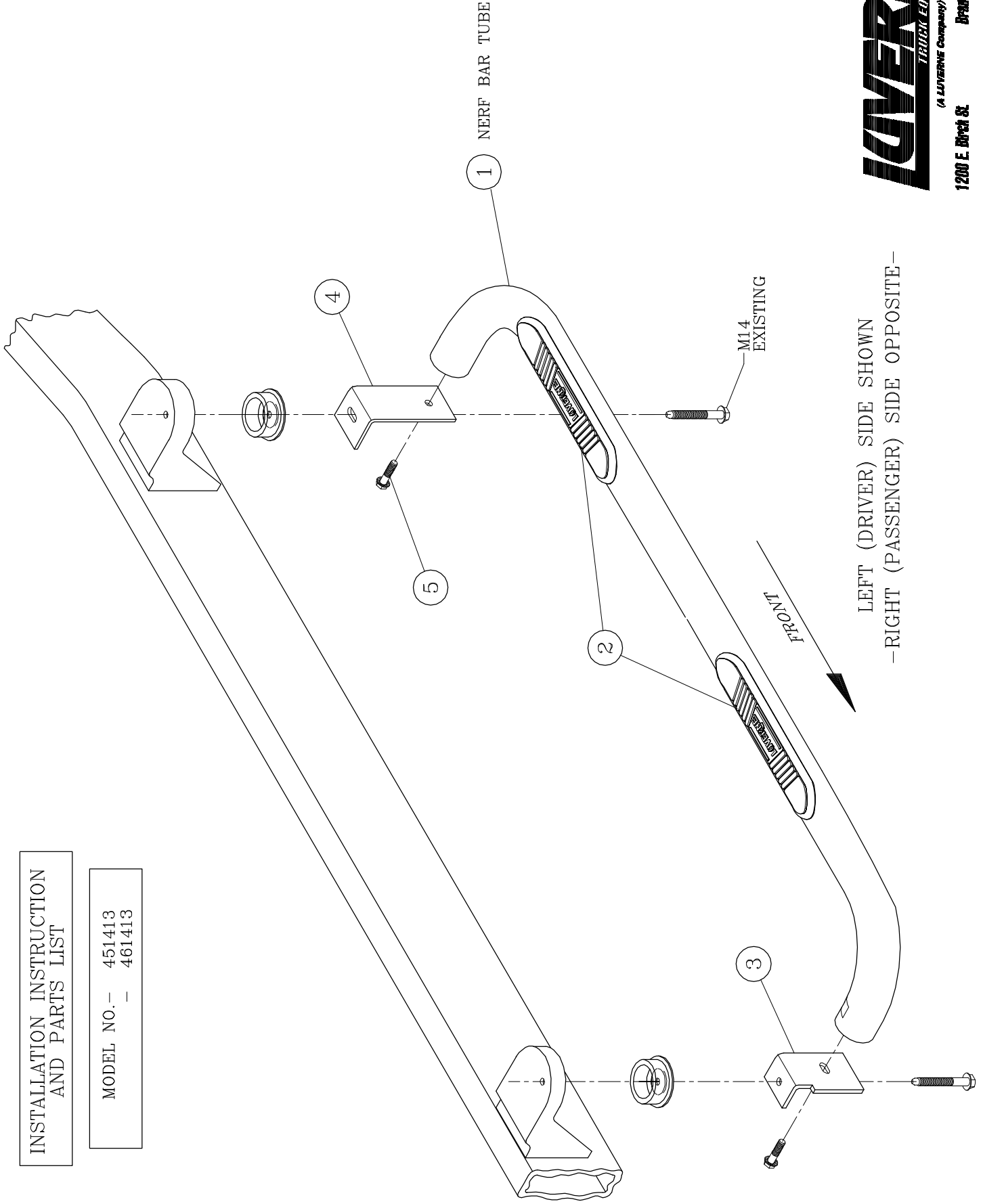
1200 E. Birch St.

Brandon, SD 57005

552347 SHEET 1 OF 2 24JUN13

INSTALLATION INSTRUCTION  
AND PARTS LIST

MODEL NO. - 451413  
- 461413



1 NERF BAR TUBE

M14  
EXISTING

FRONT

LEFT (DRIVER) SIDE SHOWN  
-RIGHT (PASSENGER) SIDE OPPOSITE-



(A LOVERNE Company)

1200 E. Birch St. Bradford, PA 17005