

INSTALLATION INSTRUCTIONS AND PARTS LIST

APPLICATION: NERF BAR STEP PAD PACKAGE, 460002

1. READ INSTRUCTIONS COMPLETELY AND CHECK TO MAKE SURE THAT ALL REQUIRED PARTS (LISTED ON SERVICE PARTS LIST) ARE ON HAND BEFORE STARTING THE INSTALLATION.
2. REMOVE OLD STEP PADS BY LIGHTLY PULLING UP FROM THE END OF THE PAD UNTIL PAD RELEASES.

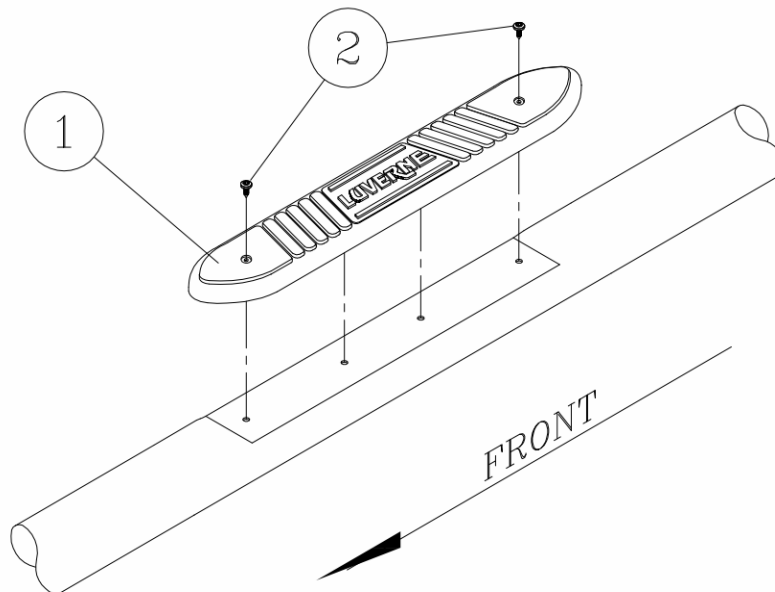
NOTE: IF THE REMOVED STEP PADS WERE FASTENED BY FOUR (4) TABS (NO SCREWS) DRILL THE OUTSIDE TWO (2) STEP PAD MOUNTING HOLES (IN THE NERF BAR TUBE) TO 9/32".

3. INSTALL STEP PAD (ITEM # 1) BY FIRMLY PRESSING THE TABS INTO THE CENTER TWO (2) HOLES IN THE NERF BAR TUBE.
4. INSTALL SCREWS (ITEM #2) INTO THE TWO (2) MOLDED HOLES IN THE STEP PAD.

NOTE: DO NOT OVER TIGHTEN SCREWS (ITEM #2) AS THIS INCREASES THE RISK OF STRIPPING THE THREADS.

SERVICE PARTS LIST

ITEM	PART NO.	QTY	DESCRIPTION
1	103950	2	PAD-STEP, NERF BAR, BLK, 20.00
2	109637	4	SCR, SLF-TP, 5/16-3/4, SST, BLK



LUVERNE
TRUCK EQUIPMENT

(A LUVERNE Company)

1200 E. Birch St.

Brandon, SD 57005

552488 SHEET 1 OF 1 04JUN14