

## INSTALLATION INSTRUCTIONS AND PARTS LIST

APPL: 450552 AND 450553 STEEL (BLACK) & 460552 AND 460553 STAINLESS STEEL  
NERF BARS ON:  
2005 AND NEWER TOYOTA TACOMA ACCESS CAB AND DOUBLE CAB PICKUPS



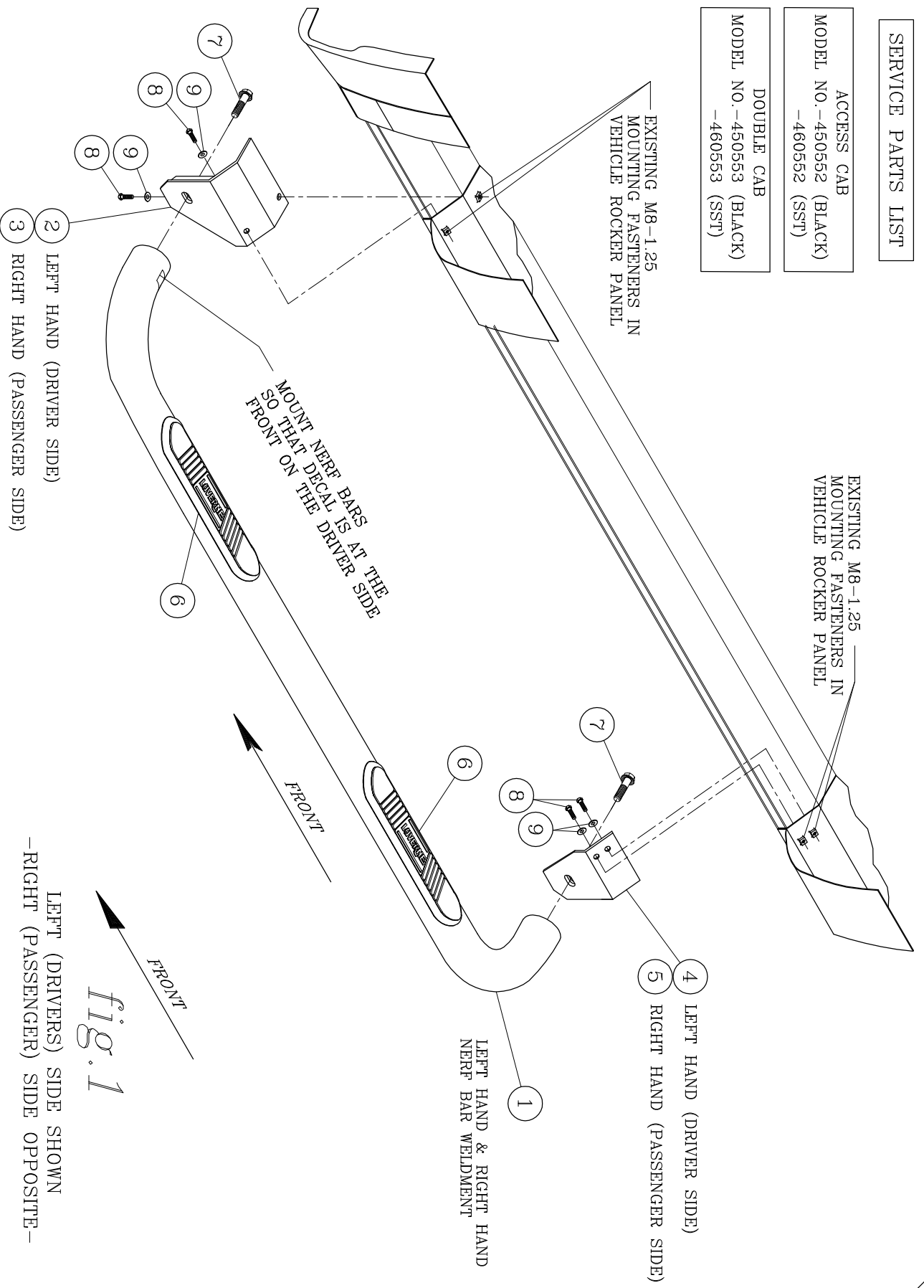
1. READ INSTRUCTIONS COMPLETELY AND CHECK TO MAKE SURE THAT ALL REQUIRED PARTS (LISTED ON SERVICE PARTS LIST) ARE ON HAND BEFORE STARTING THE INSTALLATION.
2. NERF BAR TUBE AND MOUNTING BRACKET ASSEMBLIES ARE PRE-ASSEMBLED.
  - 2.1. IF THE MOUNTING BRACKETS ON THESE ASSEMBLIES REQUIRE ADJUSTMENT, THE 1/2" BOLTS (ITEM #7) MUST BE TORQUED TO 65 LB. FT
3. AT THE FRONT AND REAR ON EACH SIDE OF THE VEHICLE, REMOVE THE TWO PLASTIC SLOTTED HEAD HOLE PLUGS FROM THE 8mm THREADED INSERTS IN THE ROCKER PANEL..
4. POSITION THE NERF BAR ASSEMBLY UP UNDER THE BODY ROCKER PANEL: (NOTE: THE LUVERNE DECAL SHOULD BE AT THE FRONT ON THE DRIVER SIDE).
  - 4.1. ATTACH THE NERF BAR ASSEMBLIES TO THE VEHICLE. USE 8mm HEX HD CAP SCREWS (ITEM #8) AND 5/16" FLAT WASHERS (ITEM #9) AS SHOWN. TORQUE THE 8mm SCREWS TO 22 LB FT.

### SERVICE PARTS LIST

ITEM	PART NO.	QTY	DESCRIPTION
1	551404	2	NERF BAR WLDMT- ACCESS CAB, LH/RH, SST, 460552
1	551402	2	NERF BAR WLDMT- ACCESS CAB, LH/RH, STL, BLK, 450552
1	551419	2	NERF BAR WLDMT- DOUBLE CAB, LH/RH, SST, 460553
1	551417	2	NERF BAR WLDMT- DOUBLE CAB, LH/RH, STL, BLK, 450553
2	551406	1	BRKT WLDMT- MTG, NB, FRONT, LH, 05 TACOMA
3	551407	1	BRKT WLDMT- MTG, NB, FRONT, RH, 05 TACOMA
4	551411	1	BRKT WLDMT- MTG, NB, REAR, LH, 05 TACOMA
5	551412	1	BRKT WLDMT- MTG, NB, REAR, RH, 05 TACOMA
6	103950	4	PAD- STEP, NB, BLK, 20.00 LG
7	104249	4	BOLT- HEX HD CAP, SERR FLG 1/2-13 X 2.00, ZP
8	102549	8	SCR- CAP,HEX HD, M8-1.25 X 25mm, 10.9, ZP
9	100034	8	WASHER- FLAT, 5/16", ZP

SERVICE PARTS LIST

ACCESS CAB MODEL NO.-450552 (BLACK) -460552 (SST)
DOUBLE CAB MODEL NO.-450553 (BLACK) -460553 (SST)



LEFT (DRIVERS) SIDE SHOWN  
-RIGHT (PASSENGER) SIDE OPPOSITE-

fig. 1