

INSTALLATION INSTRUCTIONS AND PARTS LIST
MODEL 477078, 477088, 477098 REGAL 7 OVAL STEPS (BOARDS ONLY)
UNIVERSAL APPLICATIONS



1. Read instructions completely and check to make sure that all required parts (listed on the service parts list) are on hand before starting the installation.
2. Follow the instructions included with the specific bracket package that you are using to mount the brackets to your vehicle.
3. The step is pre-assembled from the factory. The serial number label is located on the front inside drivers side step assembly.
4. Attaching the step to the mounting bracket:
 - 4.1 Set the step on the mounting brackets, and slide each support mounting plate (item #9) inside the oval step and above each bracket.
 - 4.2 Using the supplied 5/16-18 x 1" black stainless steel hex bolt, washer, and serrated flange nut (items # 10,11&12) attach the step assembly, support mounting plate and mounting bracket.
 - 4.3 Set the step plate in the correct position and tighten all fasteners.
Torque all 5/16" fasteners to 19 LB FT.

SERVICE PARTS LIST

ITEM	PART NO.	QTY	DESCRIPTION
1&2	552059	2	REGAL 7 OVAL STEP, LH,RH,76",477078
1&2	552060	2	REGAL 7 OVAL STEP, LH,RH,86",477088
1	552061	1	REGAL 7 OVAL STEP, LH,96",477098
2	552062	1	REGAL 7 OVAL STEP, RH,96",477098
3	109233	2	END CAP LH REAR, RH FRONT,BLK PLASTIC
4	109232	2	END CAP RH REAR, LH FRONT,BLK PLASTIC
5	107863	8	BOLT-CARRAIGE, 10-24 X 0.50,SST, BLACK
6	108909	4	STEP PAD, 25" X 6.5", PLASTIC, BLACK
7	108908	24	BOLT-CARRAIGE, 10-24 X 1.0,SST, BLACK
8	107864	24	NUT-NYLOCK, 10-24, SST
9	552052	8	SUPPORT MTG PLT, 11 GA, GALV
10	106997	16	SCREW-HEX HD, 5/16-18X1.0,SST,BLACK
11	106998	16	WSHR-FLAT, 5/16, SST, BLACK
12	102680	16	NUT-SER FLG, 5/16-18, SST



(A LUVERNE Company)

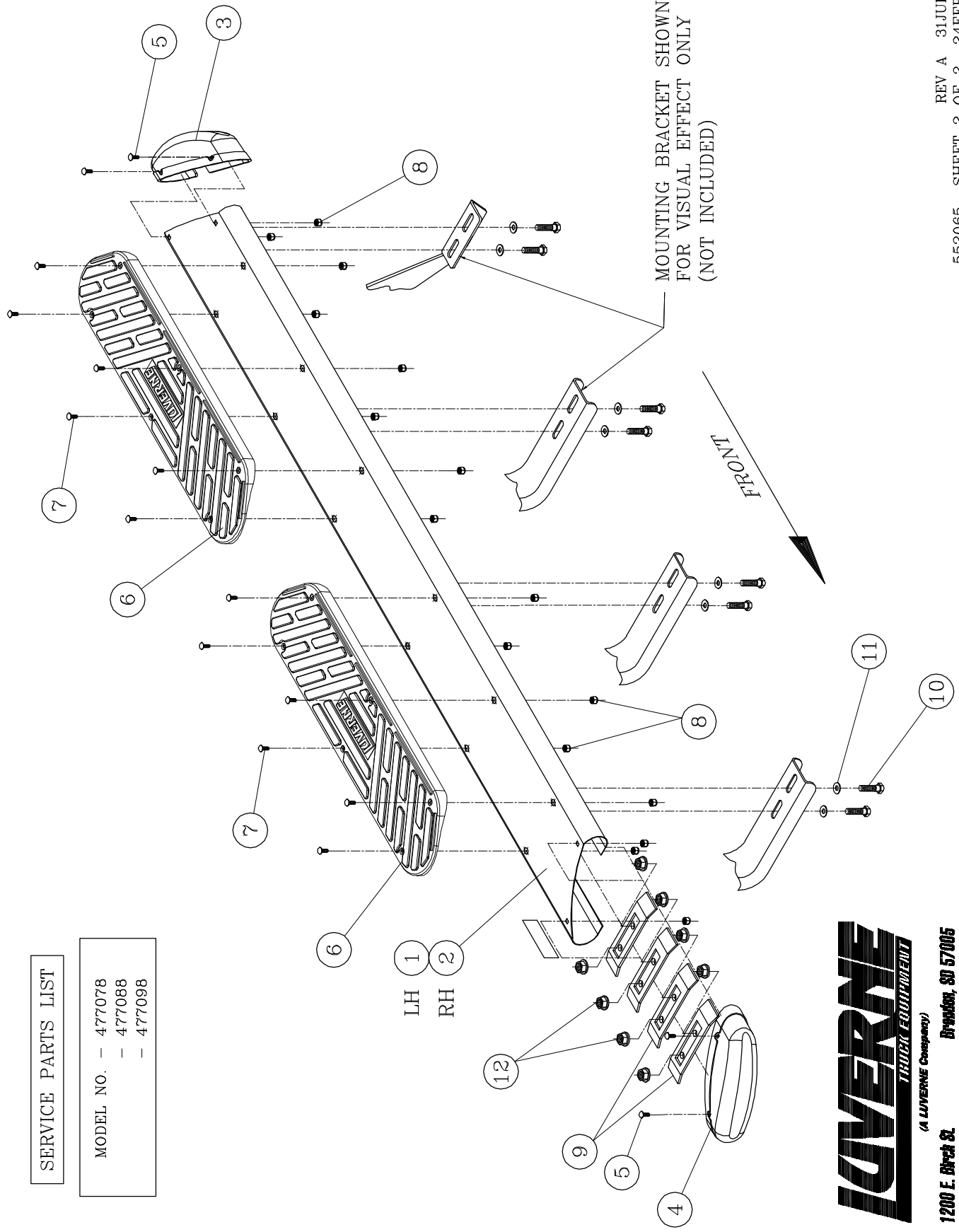
1200 E. Birch St.

Brandon, SD 57005

REV A 31JUL12
552065 SHEET 1 OF 2 24FEB12

SERVICE PARTS LIST

MODEL NO. - 477078
 - 477088
 - 477098



1
LH
2
RH

MOUNTING BRACKET SHOWN
 FOR VISUAL EFFECT ONLY
 (NOT INCLUDED)

FRONT

LAVERNE
 TRUCK EQUIPMENT
 (A LUYERNE Company)
 1200 E. Birch St.
 Brandon, SD 57005

INSTALLATION INSTRUCTIONS AND PARTS LIST

APPLICATION: MODEL **401663** GRIP STEP BRACKETS ON:
2016+ NISSAN TITAN CREW CAB PICKUPS
ROCKER PANEL MOUNT APPLICATION



NO DRILL APPLICATION

1. READ INSTRUCTIONS COMPLETELY AND CHECK TO MAKE SURE THAT ALL REQUIRED PARTS (LISTED ON SERVICE PARTS LIST) ARE ON HAND BEFORE STARTING THE INSTALLATION.
2. INSTALL BRACKETS (ITEM #1), USING THE SUPPLIED FASTENERS (ITEM #2) M8 X 1.25, X 30mm SCREW, (ITEM #3) 5/16 LOCK WASHER, & (ITEM #4) 5/16 FLAT WASHER, IN THE THREADED HOLES OF THE ROCKER PANEL. AS SHOWN IN FIG 1.
3. **NOTE: REMOVE ANY FACTORY PLUGS FROM THREADED MOUNTING HOLES IF EQUIPPED.**
4. TIGHTEN ALL M8 FASTENERS TO 19 LB/FT.
5. INSTALL BOARD PER SUPPLIED INSTRUCTIONS.

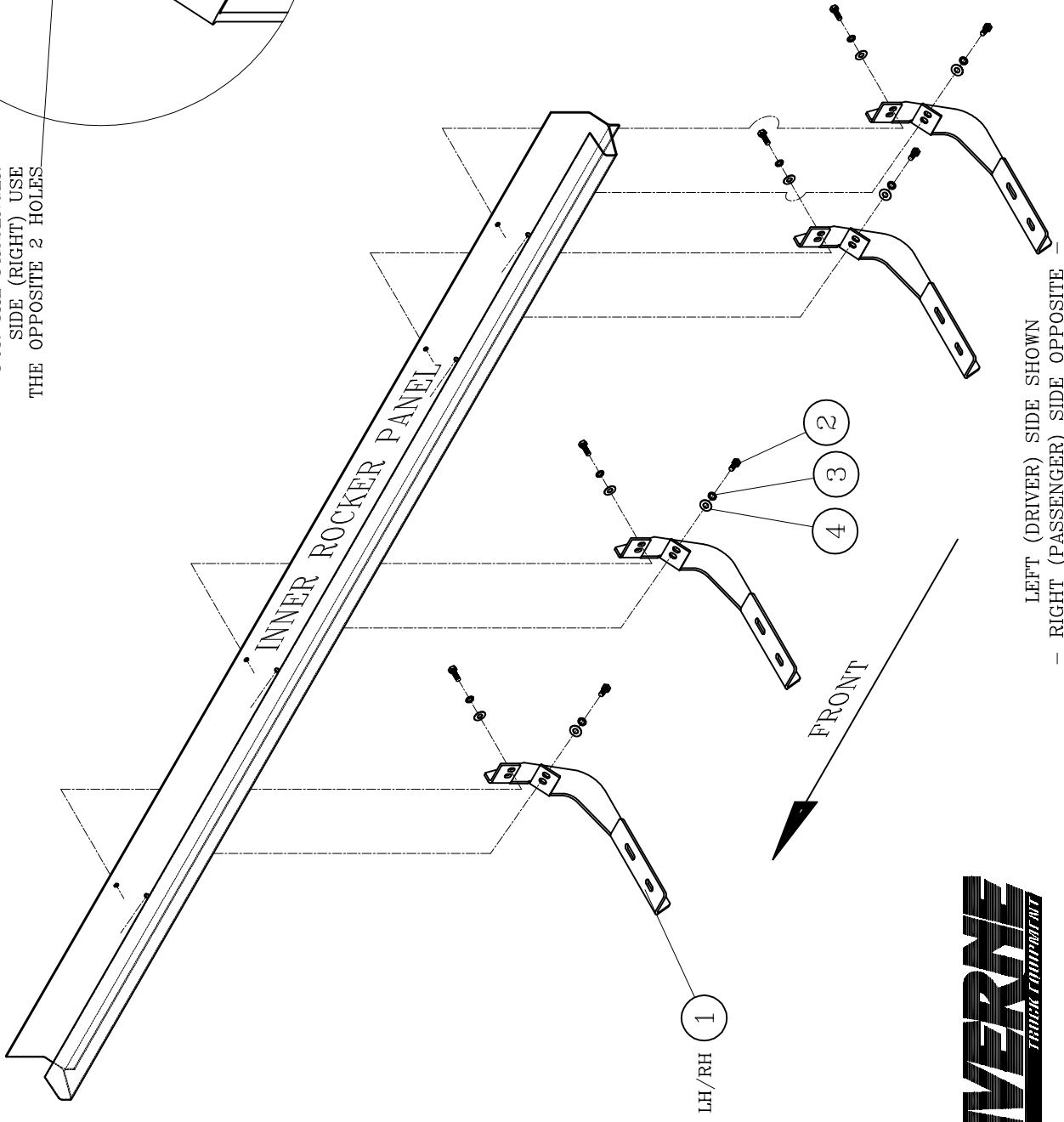
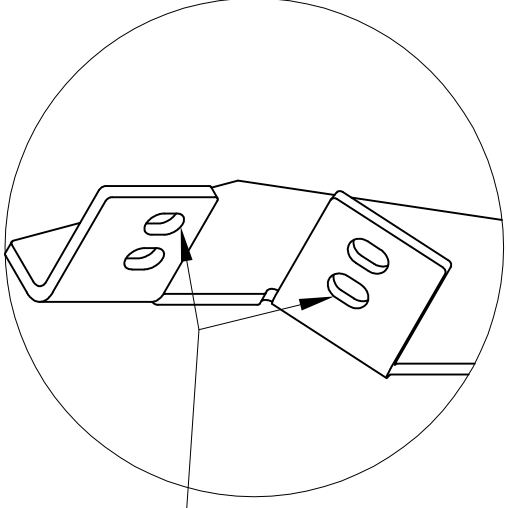
SERVICE PARTS LIST

ITEM	PART NO.	QTY	DESCRIPTION
1	552967	8	BRKT-MTG, GRIP STEP, 401663
2	102549	16	M8-1.25 X 30MM SCREW, ZP
3	100030	16	5/16 LOCK WASHER, ZP
4	100034	16	5/16 FLAT WASHER, ZP

SERVICE PARTS LIST

MODEL NO. - 401663

USE THESE 2 HOLES
FOR DRIVERS SIDE (LEFT),
FOR THE PASSENGER
SIDE (RIGHT) USE
THE OPPOSITE 2 HOLES



LEFT (DRIVER) SIDE SHOWN

- RIGHT (PASSENGER) SIDE OPPOSITE