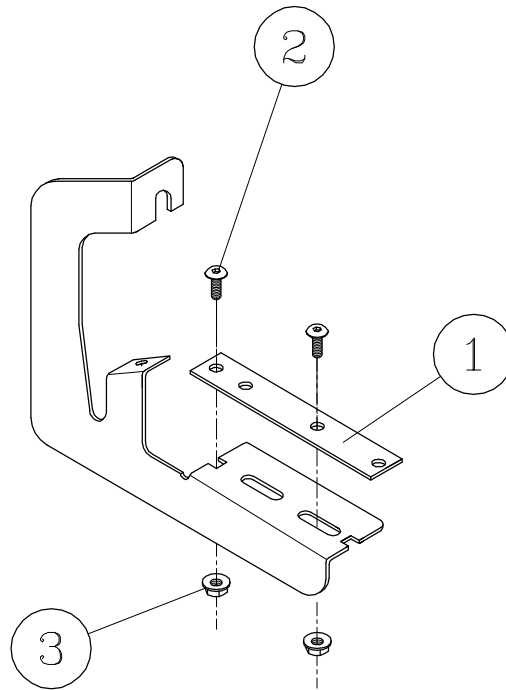


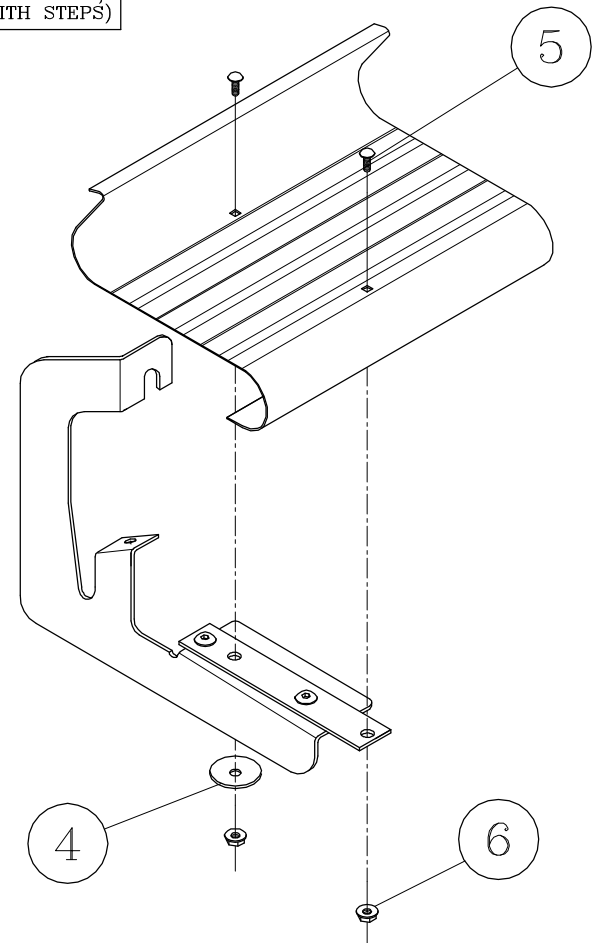
SERVICE PARTS LIST

MODEL NO. -480010

ITEM	PART NO.	QTY	DESCRIPTION
1	552418	8	BRACKET-EXTENSION, GALV. 7 GA.
2	102996	16	SCREW-BTN HEAD, SST, 1/4-20 X 3/4"
3	102366	16	NUT- HEX, FLANGE, 1/4-20, SST
4	108521	8	WASHER-FLAT FENDER, 1/4 X 7/8,BLK
5	104258	16	SCREW 10-24X3/4" (SUPPLIED WITH STEPS)
6	104261	8	NUT-HEX,10-24,SST (SUPPLIED WITH STEPS)



ATTACH GALVANIZED PLATE TO BRACKET AS SHOWN



ATTACH STEP PLATE TO BRACKETS



(A LUVERNE Company)

1200 E. Birch St.

Brandon, SD 57005