

Parts List

2	Box Extension Step Plate
2	Upper Mounting Bracket
2	Angled Mounting Bracket
2	Lower Mounting Bracket
6	Step Mounting Bracket
2	Step Support Bracket
12	Carriage Bolt, 3/8-16 x 1"
16	Flange Nut, 3/8-16
4	Hex Bolt, 3/8-16 x 7/8"
2	Clipped Head Carriage Bolt, 5/8-11 x 1.5"
4	Fender Washer, 3/4" ID
2	Flange Nut, 5/8-11
4	Hex Bolt, 1/2-13 x 1"
4	Flange Nut, 1/2-13
8	Carriage Bolt, #10-24 x .75"
8	Flange Nut, #10-24
8	Flat Washer, Neoprene

Tools Required

Socket, 3/8"	Ratchet
Socket, 9/16"	Wrench, 1-3/16"
Socket, 3/4"	Marker
Wrench, 15/16"	Rubber Mallet or
Wrench, 1-1/4"	Impact Wrench

Level of Difficulty

Easy

Product Image



Notes and Maintenance

Before you begin installation, read all instructions thoroughly.

Make sure all required parts are on hand before starting the installation.

Step 1

Starting on the driver side, locate the frame cross member opening above the spring shackle. Clean any debris from inside the opening.



Step 2



Install the 5/8" clipped head carriage bolt through the upper mounting plate, then install the (2) - 3/4" washers on the carriage bolt along with the 5/8" flange nut. Screw nut down until there is a 1/8" gap between the carriage bolt head and bottom of the upper mounting plate. Align the clipped sides with the bent sides of the bracket and draw a line indicating the direction on the carriage bolt head.

Step 3

Insert the upper mounting bracket into the frame cross member opening until the carriage bolt drops into the opening in the cross member. Then pull the bracket towards the outside of the truck until the carriage bolt is in contact with the end of the slot.



Step 4



Loosen the flange nut enough to allow the carriage bolt to turn. Rotate carriage bolt 90 degrees then tighten with 15/16" wrench. The black line drawn on the bolt should be used as a visual and a mirror may be needed to see the bolt. The bracket end should be parallel with the side of the truck box.

Tip - Use the 15/16" wrench to help turn the bolt into position, then pull down on the bracket to put pressure on the bolt until it has been tightened enough to engage the square hole again.

Step 5

Loosen the spring shackle bolt until there is a 1/4" gap towards the outside of the truck using a 1 1/4" and 1 3/16" wrench or impact socket. **DO NOT REMOVE THE SPRING SHAKLE BOLT.**

Then insert the lower support bracket. Tighten the spring shackle bolt enough to keep the lower support bracket from falling off.



Step 6



Attach the angle support bracket to the upper mounting bracket by inserting a 1/2" hex bolt through the angle support bracket hole and upper mounting bracket slot then hand tighten a 1/2" flange nut on the bolt. Repeat for remaining 3 holes.

Step 7

Attach the step mounting brackets as shown by inserting a 3/8" carriage bolt through the step mounting bracket, step support bracket and angle support bracket slot. Hand tighten a 3/8" flange nut on the bolt. Repeat for the remaining 3 holes. A step mounting bracket is not used on the middle 2 holes.



Step 8



Insert a 3/8" carriage bolt through the step mounting bracket, step support bracket and second step mounting bracket. Hand tighten a 3/8" flange nut on the bolt.

Step 9

Insert 3/8" hex bolts through the step mounting bracket and lower mounting bracket. Hand tighten a 3/8" flange nut on the bolt.



Step 10



Set the step plate in position on the step mounting brackets. Insert (4) #10-24 carriage bolts through the neoprene washers, step plate and step mounting brackets. Hand tighten a #10 flange nut on each bolt.

Step 11

Adjust the height and alignment with the cab Side Entry Step. Tighten all fasteners securely. **NOTE: FOLLOW FACTORY-RECOMMENDED TORQUE VALUES TO RE-INSTALL THE LEAF SPRING SHACKLE BOLT AS REQUIRED TO ATTACH THE REAR MOUNTING BRACKET TO THE VEHICLE. THIS ATTACHMENT POINT SHOULD BE PERIODICALLY INSPECTED (AND RE-TORQUED IF NECESSARY) IN ACCORDANCE WITH THE FACTORY RECOMMENDED VALUES.**



Step 12

Repeat steps 1-11 for the passenger side. Mounting brackets will be a mirror image of the drivers side installation.

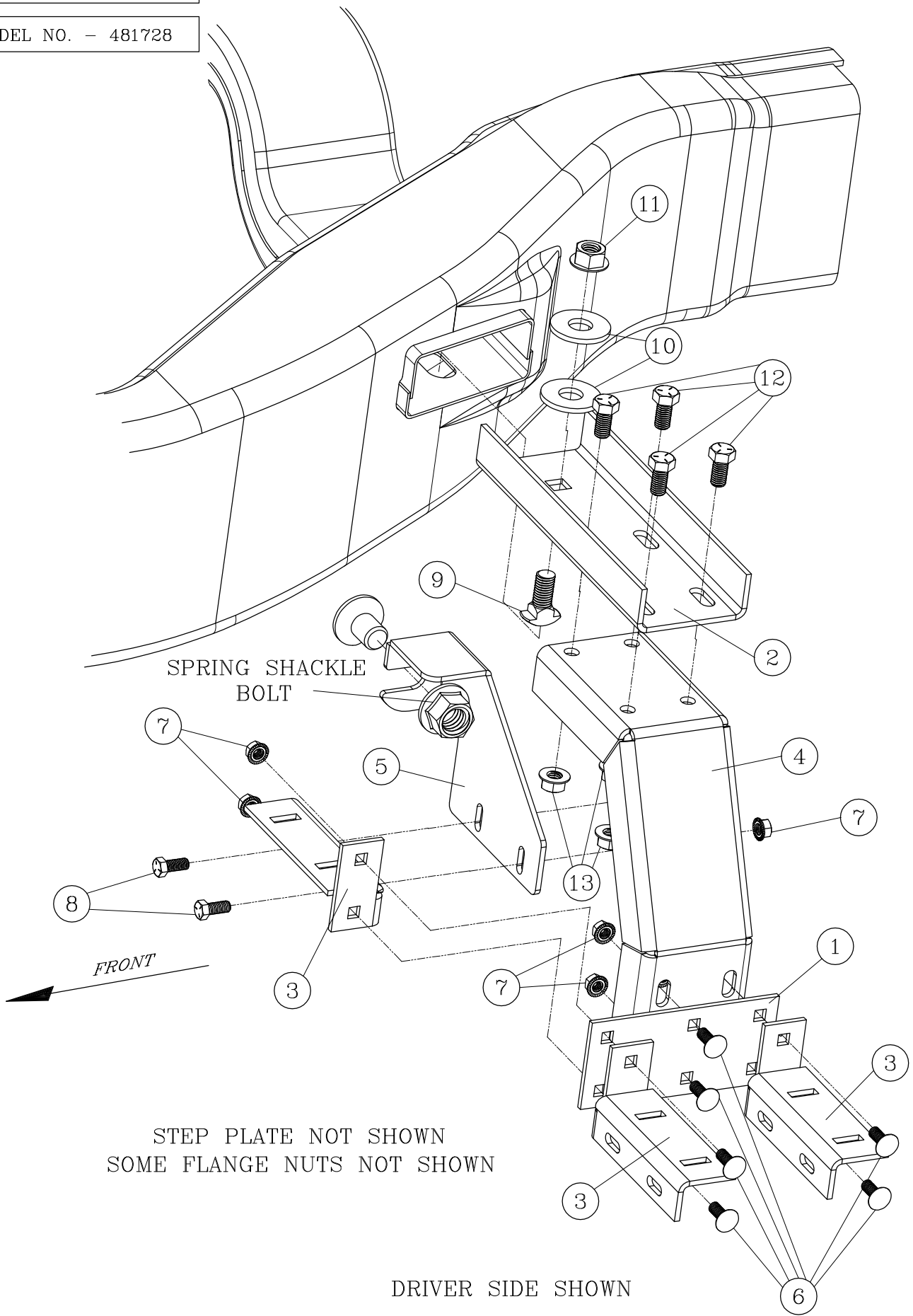
PARTS LIST
FOR MOUNTING 481728 SIDE ENTRY STEP BOX EXTENSIONS
2017 AND NEWER FORD SUPER DUTY SHORT BOX PICKUPS

SERVICE PARTS LIST

ITEM	QTY	DESCRIPTION
1	2	STEP SUPPORT BRACKET
2	2	UPPER MOUNTING BRACKET
3	6	STEP MOUNTING BRACKET
4	2	ANGLED MOUNTING BRACKET
5	2	LOWER MOUNTING BRACKET
6	12	3/8-16 X 1 CARRIAGE BOLT
7	16	3/8-16 SERRATED FLANGE NUT
8	4	3/8-16 X 7/8 HEX HEAD BOLT
9	2	5/8-11 X 1.5 CLIPPED HEAD CARRIAGE BOLT
10	4	3/4 ID FENDER WASHER
11	2	5/8-11 SERRATED FLANGE NUT
12	8	1/2-13 X 1 HEX HEAD BOLT
13	8	1/2-13 SERRATED FLANGE NUT

SERVICE PARTS LIST

MODEL NO. - 481728



SPRING SHACKLE
BOLT

STEP PLATE NOT SHOWN
SOME FLANGE NUTS NOT SHOWN

DRIVER SIDE SHOWN
PASSENGER SIDE OPPOSITE