

## INSTALLATION INSTRUCTIONS AND PARTS LIST

430755 AND 430756 SST (BLACK) BAJA STEPS ON:  
2007 AND NEWER JEEP WRANGLER JK, 2 DOOR, & 4 DOOR.



1. READ INSTRUCTIONS COMPLETELY AND CHECK TO MAKE SURE THAT ALL REQUIRED PARTS (LISTED ON SERVICE PARTS LIST) ARE ON HAND BEFORE STARTING THE INSTALLATION.
2. REMOVE THE BODY MOUNT BOLT JUST BEHIND THE FRONT FENDER WELL ON DRIVERS SIDE OF VEHICLE, THIS BOLT WILL NOT BE REUSED, INSTALL FRONT LH BRACKET UP TO BODY MOUNT (ITEM #3) , AND ATTACH WITH THE M12-1.75 X 100mm (ITEM #7), 1/2" FLAT WASHER (ITEM #8), AND 1/2" LOCK WASHER (ITEM #9) AS SHOWN IN FIGURES 1 AND 2. LEAVE FINGER TIGHT AT THIS TIME.
3. REMOVE REAR BODY MOUNT BOLT JUST IN FRONT OF THE REAR FENDER WELL ON THE DRIVERS SIDE OF VEHICLE, INSTALL REAR LH BRACKET (ITEM #5), ATTACH WITH FACTORY BOLT AND WASHER, AS SHOWN IN FIGURES 1 AND 2. LEAVE FINGER TIGHT AT THIS TIME.
4. POSITION THE BAJA STEP UNDER THE BODY ROCKER PANEL: (NOTE: THE LUVERNE DECAL SHOULD BE AT THE FRONT ON THE DRIVER SIDE).
  - 4.1. ATTACH THE BAJA STEP TO THE VEHICLE. USE 1/2-13 HEX HD CAP SCREWS (ITEM #10) AS SHOWN IN FIGURES 1 AND 2.
  - 4.2. TORQUE THE BODY MOUNT BOLTS TO FACTORY SPECIFICATIONS.
  - 4.3. TORQUE THE 1/2-13 BOLTS TO 65 LB FT.
5. REPEAT STEPS 2 THRU 4 ON PASSENGER SIDE, USING RH FRONT BRACKET (ITEM #4), AND RH REAR BRACKET (ITEM #6).

### SERVICE PARTS LIST

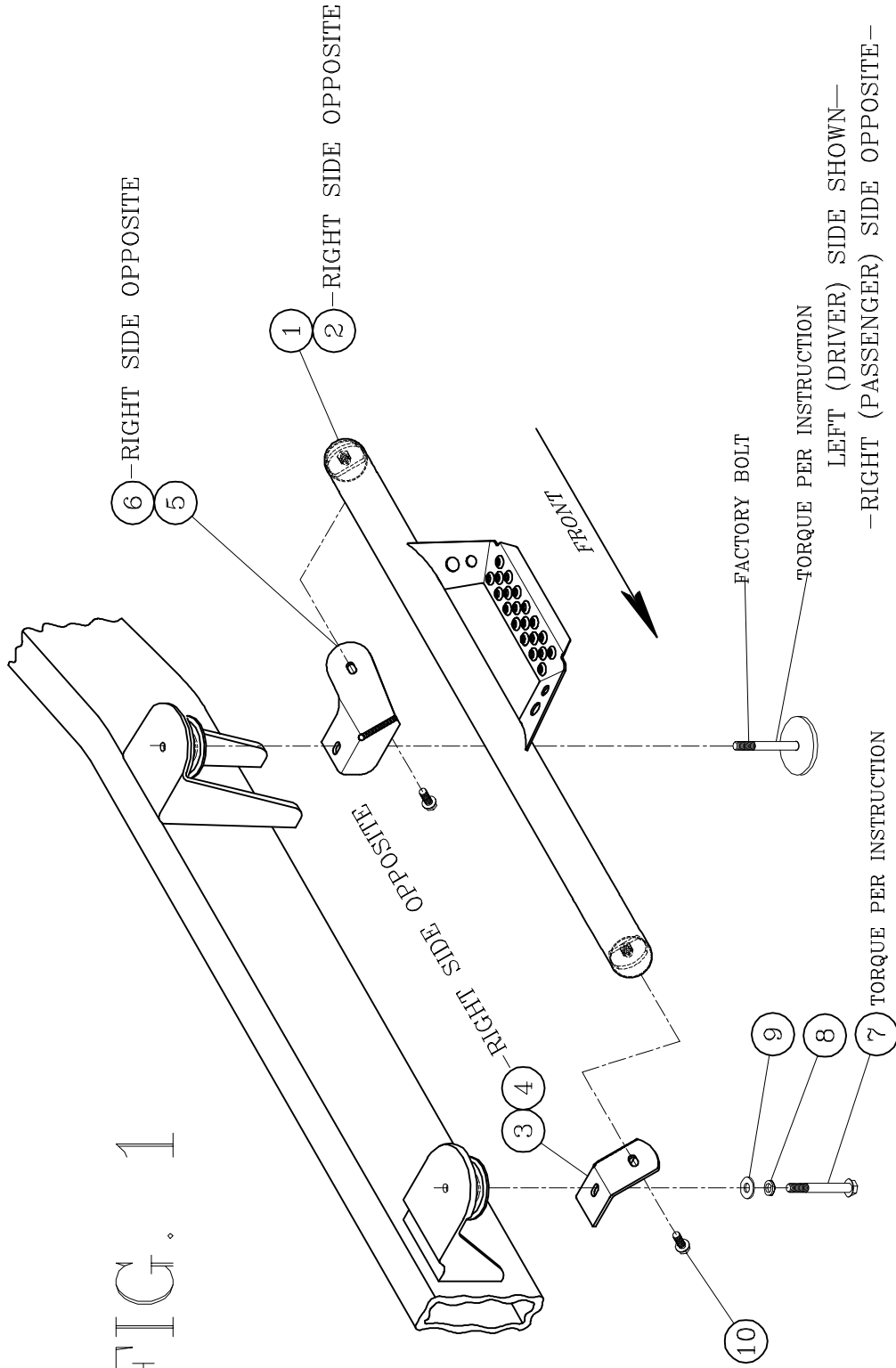
ITEM	PART NO.	QTY	DESCRIPTION
1	552204	1	BAJA STEP WLDMT- JEEP JK 2 DOOR, LH, SST, 430756
2	552205	1	BAJA STEP WLDMT- JEEP JK 2 DOOR, RH, SST, 430756
1	552206	1	BAJA STEP WLDMT- JEEP JK 4 DOOR, LH, SST, 430755
2	552207	1	BAJA STEP WLDMT- JEEP JK 4 DOOR, RH, SST, 430755
3	552208	1	BRKT WLDMT- MTG, FRONT, LH, 07 JEEP WRANGLER
4	552209	1	BRKT WLDMT- MTG, FRONT, RH, 07 JEEP WRANGLER
5	552210	1	BRKT WLDMT- MTG, REAR, LH, 07 JEEP WRANGLER
6	552211	1	BRKT WLDMT- MTG, REAR, RH, 07 JEEP WRANGLER
7	102949	2	HEX HD, M12-1.75 X 100mm, ZP
8	100121	2	WASHER-LOCK, 1/2", ZP
9	100118	2	WASHER- FLAT, 1/2", ZP
10	104249	4	BOLT- HEX HD CAP, SERR FLG 1/2-13 X 2.00, ZP

SERVICE PARTS LIST

MODEL-430755

# JEEP WRANGLER 2 DOOR

## FIG. 1



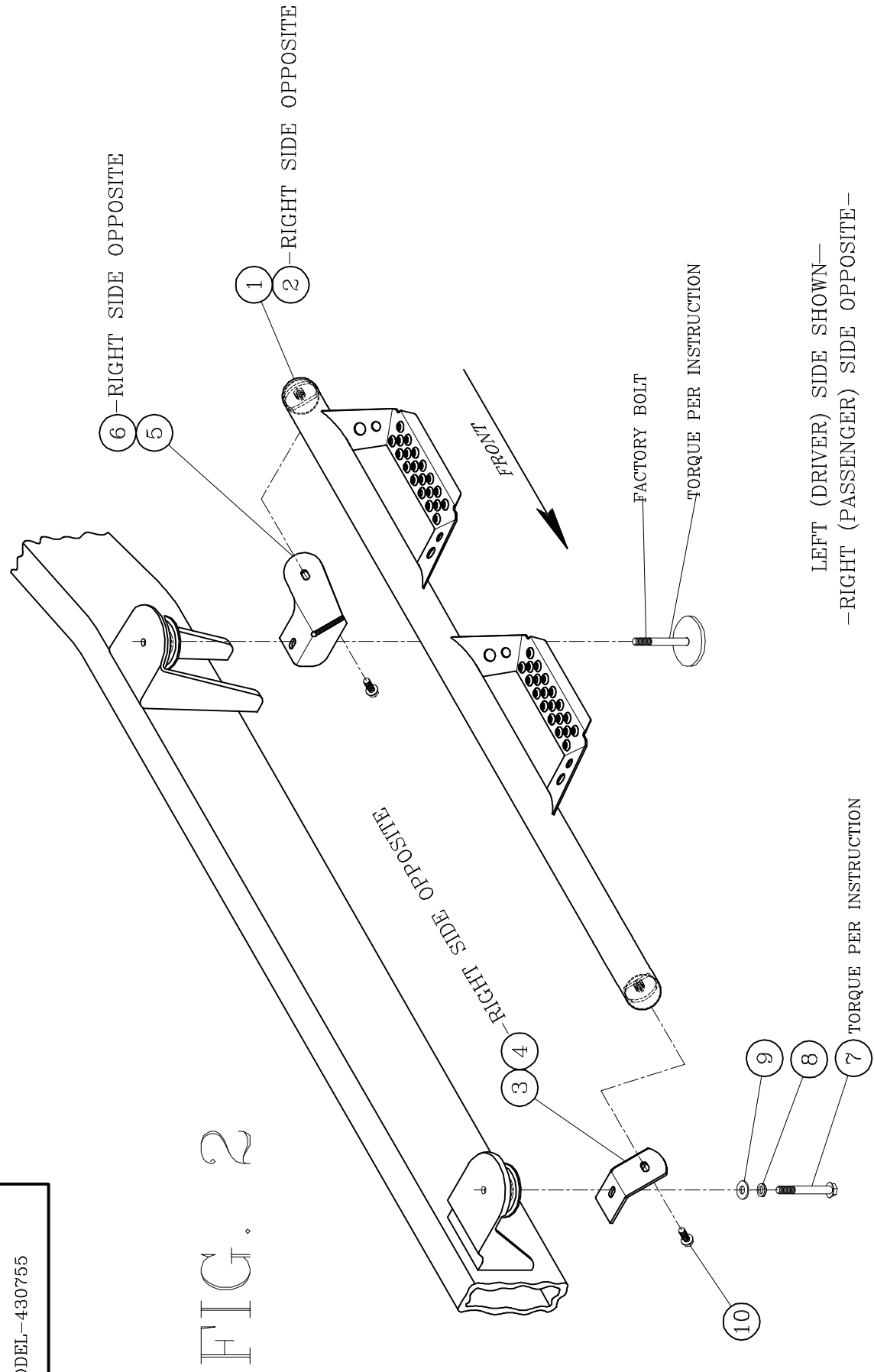
**LOVERNE**  
TRUCK EQUIPMENT  
(A LOVERNE COMPANY)

1200 E. Birch St.  
Brandon, SD 57005

SERVICE PARTS LIST

MODEL-430755

# JEEP WRANGLER 4 DOOR



## FIG. 2

LEFT (DRIVER) SIDE SHOWN--  
--RIGHT (PASSENGER) SIDE OPPOSITE--

**LOVERNE**  
TRUCK EQUIPMENT  
(A LOVERNE COMPANY)  
1200 E. Birch St. Brandon, SD 57005