

## INSTALLATION INSTRUCTIONS AND PARTS LIST

APPL: D0237 SERIES STAINLESS STEEL AND BLACK NERF BARS ON:  
2002 AND NEWER DODGE RAM 1500 QUAD CAB PICKUPS  
2003 AND NEWER DODGE RAM 2500/3500 QUAD CAB PICKUPS



### NO DRILL INSTALLATION

1. READ INSTRUCTIONS COMPLETELY AND CHECK TO MAKE SURE THAT ALL REQUIRED PARTS (LISTED ON SERVICE PARTS LIST) ARE ON HAND BEFORE STARTING THE INSTALLATION.
2. NERF BAR TUBE AND MOUNTING BRACKET ASSEMBLIES ARE PRE-ASSEMBLED.
  - 2.1. THE FRONT AND REAR MOUNTING BRACKETS ON THESE ASSEMBLIES ARE ROTATED INBOARD OF THE LEGS FOR SHIPPING PURPOSES. THESE BRACKETS MUST BE ROTATED TO THE VERTICAL POSITION AND THE ½” BOLTS MUST BE TORQUED TO 65 LB FT.
3. ASSEMBLE THE DOUBLE ENDED STUD & FASTENERS TO THE REAR BRACE AS FOLLOWS,
  - 3.1. INSTALL 3/8” SERRATED FLANGE NUTS (ITEM #15) **BACKWARDS**, TO THE END OF THE THREAD, ON EACH END OF THE DOUBLE ENDED STUD (ITEM #14).
  - 3.2. ON THE SHORT THREADED END OF THE STUD, INSTALL A 3/8” FLAT WASHER (ITEM #16). THEN, PUSH THE ¾” THICK RUBBER WASHER (ITEM #17) & FLAT WASHER TIGHT UP AGAINST THE SERRATED FLANGE NUT. (THE END OF THE DOUBLE ENDED STUD SHOULD BE RECESSED BACK IN THE HOLE OF THE RUBBER WASHER APPROXIMATELY 3/16”).
  - 3.3. INSTALL THE LONG THREADED END OF THE STUD ASSEMBLY THRU THE HOLE IN THE EMBOSSED SURFACE OF THE MOUNTING BRACKET (JUST ABOVE THE NERF BAR TUBE) AND INSTALL A 3/8” SERRATED FLANGE NUT AS SHOWN. (FINGER TIGHT ONLY).
4. REMOVE THE FOUR (4) APPLICABLE BODY MOUNT BOLTS FROM THE VEHICLE. (THESE ARE M12-1.75 METRIC BOLTS).
  - 4.1. THE TWO (2) FRONT AND TWO (2) REAR FACTORY BOLTS ARE NOT REUSED IN THIS INSTALLATION.
  - 4.2. THE FACTORY BODY MOUNT RUBBER CUSHIONS, FLAT WASHERS AND STEEL WASHER PLATES ARE REUSED BETWEEN THE BODY MOUNT AND THE NERF BAR MOUNTING BRACKET.
5. POSITION THE NERF BAR ASSEMBLY UP UNDER THE BODY MOUNTS:
  - 5.1. ON THE FRONT AND REAR BODY MOUNTS, INSTALL M12-1.75 X 110mm (APPROX. 4-3/8” LONG) HEX HEAD BOLTS (ITEM #13), 1/2” LOCK WASHERS (ITEM #11) AND ½” FLAT WASHERS (ITEM #12) UP THRU THE HOLE IN THE NERF BAR MOUNTING BRACKET AND THE BODY MOUNTING CUSHION AS SHOWN.
  - 5.2. TORQUE ALL M12-1.75 BODY MOUNTING BOLTS TO 45 LB. FT.
  - 5.3. POSITION THE STUD ASSEMBLY SO THAT THE RUBBER WASHER IS SNUG UP AGAINST THE INCLINED WALL OF THE BODY MOUNT HOUSING. TIGHTEN THE 3/8” SERRATED FLANGE NUTS ON EITHER SIDE OF THE EMBOSSED SURFACE OF THE REAR BRACKET TO LOCK THE STUD ASSEMBLY IN POSITION.

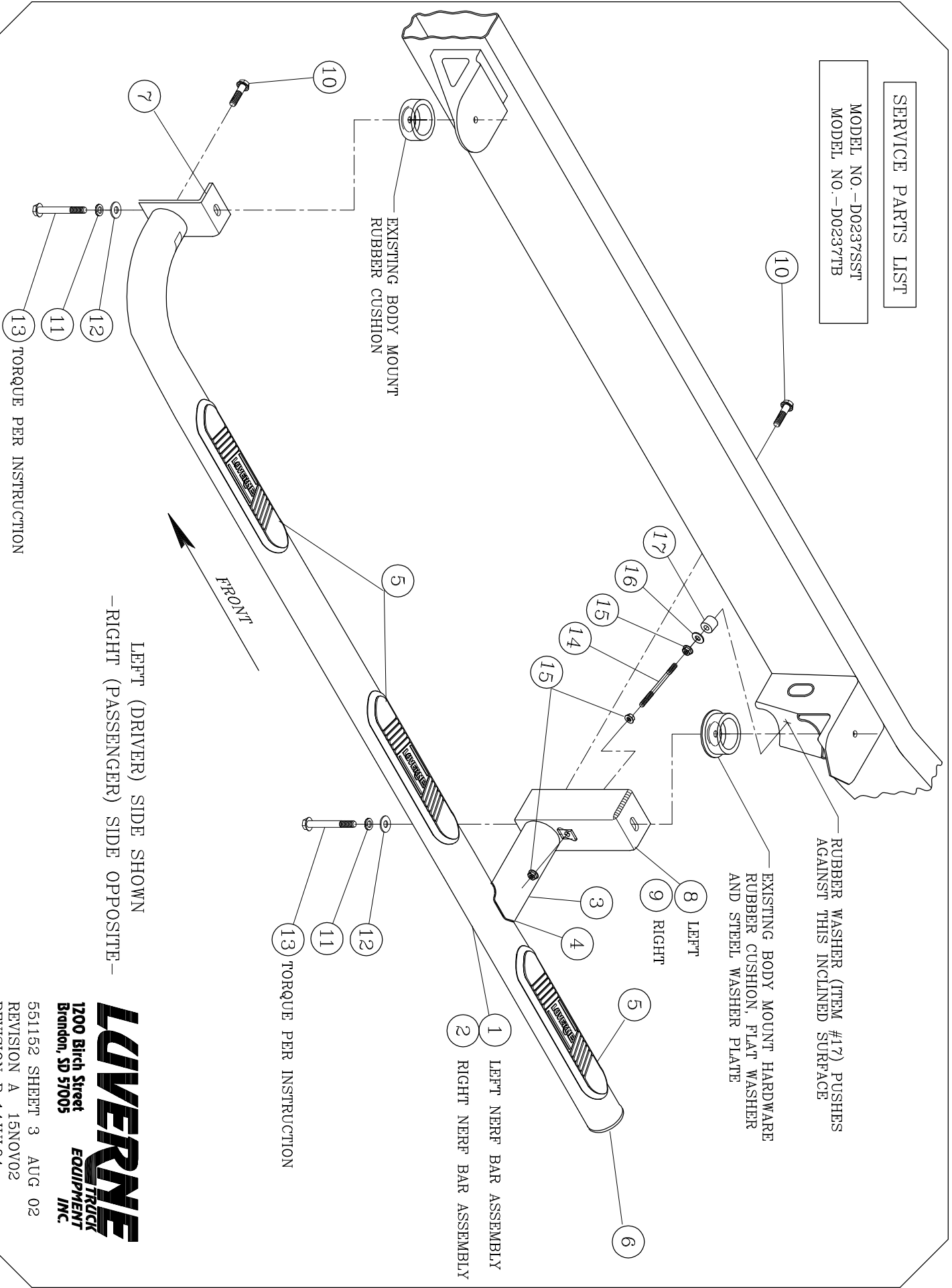
APPL: D0237 SERIES STAINLESS STEEL AND BLACK NERF BARS ON:  
 2002 AND NEWER DODGE RAM 1500 QUAD CAB PICKUPS  
 2003 AND NEWER DODGE RAM 2500/3500 QUAD CAB PICKUPS

### SERVICE PARTS LIST

ITEM	PART NO.	QTY	DESCRIPTION
1	551155	1	NB WLDMT- LH, D0237SST
2	551156	1	NB WLDMT- RH, D0237SST
1	551147	1	NB WLDMT- LH, D0237TB
2	551148	1	NB WLDMT- RH, D0237TB
3	551159	2	SPCR TUBE, D0237SST
3	551149	2	SPCR TUBE, D0237TB
4	551112	2	TRIM, SPCR TUBE
5	103950	6	PAD-STEP, NB, BLK, 20.00 LG
6	102500	2	INSR-FNSH, RIBBED, 14-18 GA TUBE
7	550307	2	BRKT, MTG, FRONT
8	550308	1	BRKT, MTG, LH, REAR
9	550309	1	BRKT, MTG, RH, REAR
10	104249	4	BOLT- HEX HD CAP, SERR FLNG 1/2-13 X 2.00, ZP
11	100121	4	WASHER-LOCK, 1/2", ZP
12	100118	4	WASHER-FLAT, 1/2", ZP
13	103444	4	BOLT- HEX HD CAP, M12-1.75 X 110mm
14	104673	2	STUD-DOUBLE ENDED, STL, 3/8-16 UNC X 5.00", ZP
15	100181	6	NUT-SERRATED FLANGE, HEX, 3/8-16 UNC, ZP
16	100062	2	WASHER-FLAT, 3/8", ZP
17	102592	2	WASHER-RUBBER, .354 ID X 1.00 OD X .75 THK

SERVICE PARTS LIST

MODEL NO. - D0237SSST  
 MODEL NO. - D0237TB



**LIVERNE**  
 TRUCK EQUIPMENT  
 INC.

1200 Birch Street  
 Brandon, SD 57005

551152 SHEET 3 AUG 02  
 REVISION A 15NOV02  
 REVISION B 14JUL04